

d<sup>1</sup>

design.

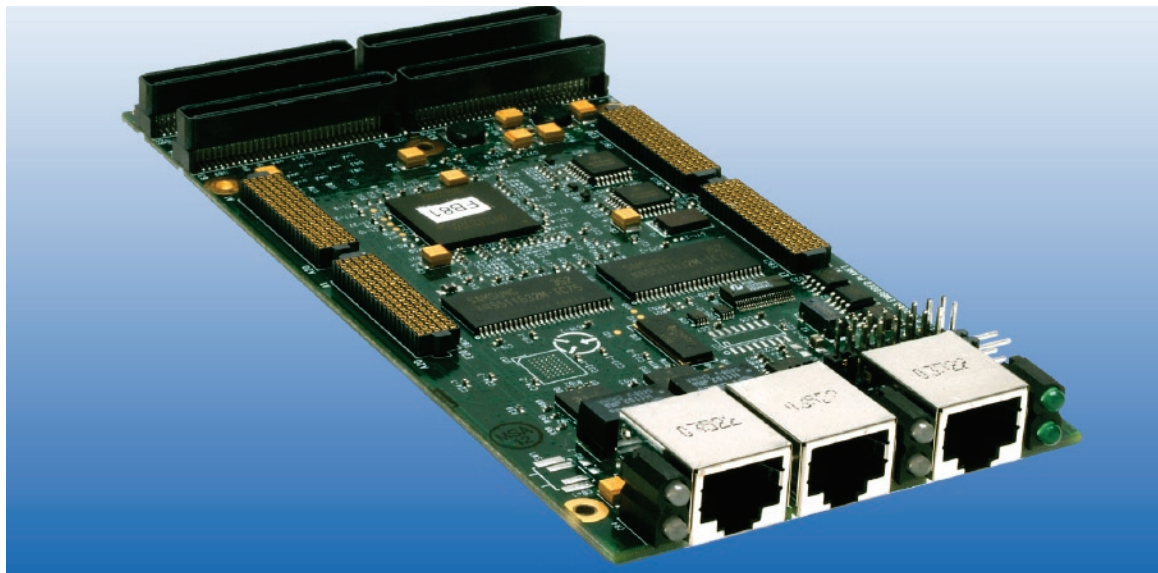
d<sup>2</sup>

develop.

d<sup>3</sup>

deploy.

## Embedded Planet EP85xxM



### Features:

- Freescale Power QUICC III PowerPC MPC8540, 8541E, 8555E, or 8560 processors up to 833MHz
- Can operate as PPMC or Stand Alone module
- PPMC monarch or non-monarch
- EP S Bus for direct access to processor signals
- DDR SDRAM 64, 128, 256 or 512MB
- Flash 16, 32, 64, 128 or 256MB
- NVRAM 2, 4 or 8Mbit
- Two 10/100/1000 BaseT Ethernet
- RS-232 serial monitor port
- 133MHz PCI-X bus
- Debug COP/JTAG
- Serial EEPROM I2C
- Serial temperature I2C
- Serial RTC I2C
- Dipswitch 4-position slide switch
- BCSR Control and Status Registers
- 5.25 to 3.0 VDC single power supply source
- Mechanical 149mm x 74mm
- Operating Range 0° C to 70° C, Extended Range -40° C to 85° C available

### Flexible Single Board Computer

The EP85xxM PPMC/Stand Alone single board computers take advantage of the Freescale MPC85xx PowerQUICC III PowerPC processors. By integrating all of the features of the PowerPC into a production ready embedded development system, the EP85xxM reduces Time-To-Market and increases product reliability for Communications, Military/Aerospace, Medical, and Industrial applications. The EP85xxM single board computers include the EP S bus that provides direct access to MPC85xx processor signals for additional I/O expansion.

### Product Options

Single Board Computer includes a cable kit, power supply, and CD with complete documentation. Board Development Kit includes processor bus breakout debug boards, PDF schematics, and support. Design Kits are available with schematic and firmware source. Embedded Planet provides customization and integration services. Production board population options can be configured to match customer requirements.

**design.**

The next generation of connected devices.

**develop.**

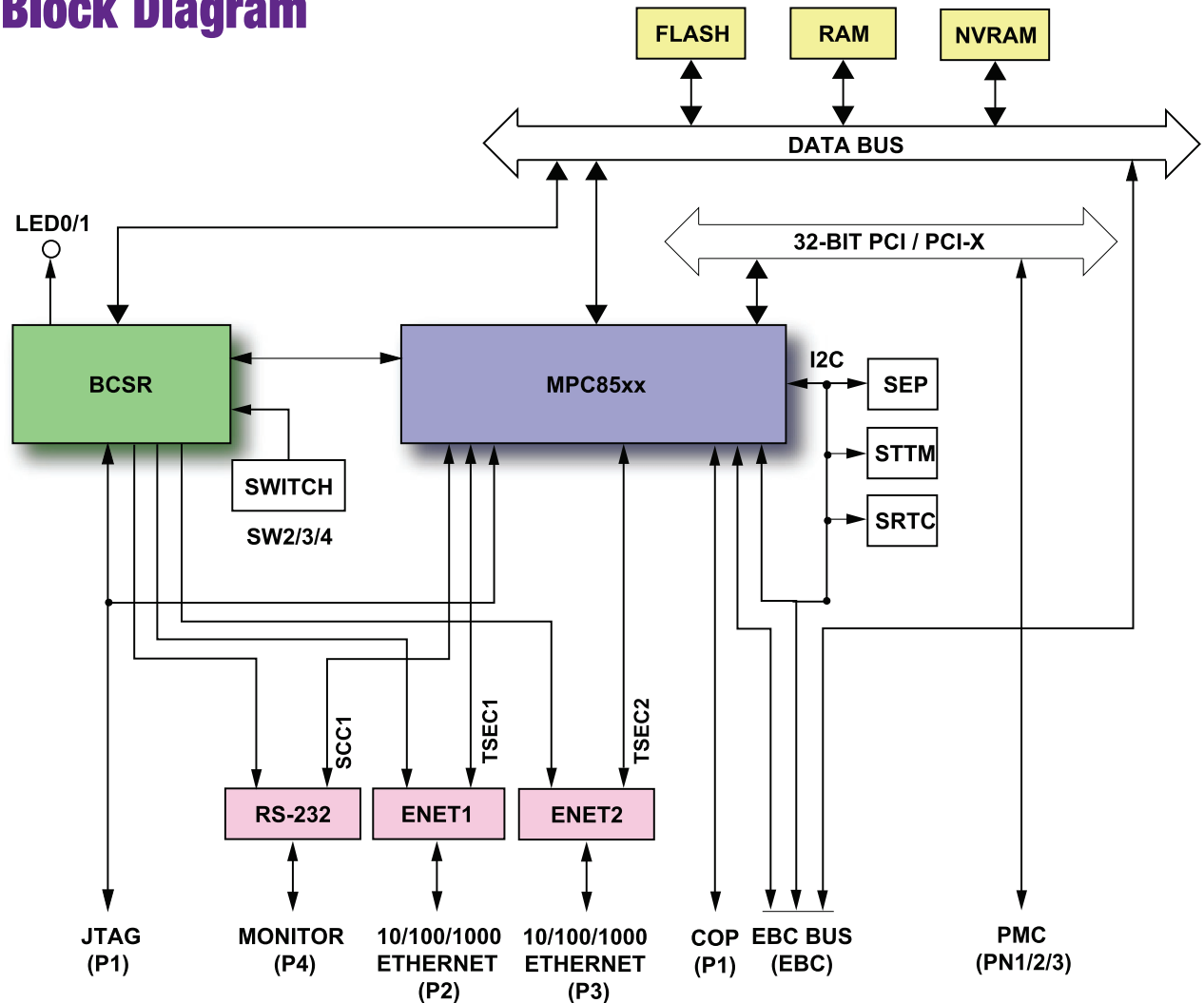
Your products based on our platform.

**deploy.**

Your solution faster.



## Block Diagram



## Software and Development Tools

Linux and VxWorks BSPs are available from Embedded Planet. The BSP development CDs come complete with documentation, source code, pre-compiled images, build files and tools.

INTEGRITY BSP is available from Green Hills Software. Other RTOS options are also available.

Embedded Planet PlanetCore firmware is provided with each module and includes a Bootloader, Flash Burner, and Diagnostics. Download and run applications via Ethernet or serial, test board hardware, and burn images to Flash.

Complete line of low level and application level TCP/IP stack and protocols code is available.

This material is the copyright of Embedded Planet 1997-2004. Embedded Planet is a registered Trademark. Other company and product names may be trademarks of their respective owners.

Contact Embedded Planet sales:  
[www.embeddedplanet.com](http://www.embeddedplanet.com) or  
email [info@embeddedplanet.com](mailto:info@embeddedplanet.com)  
phone (216) 245-4180