



US00D440673S

(12) **United States Design Patent**
Handsaker

(10) **Patent No.:** **US D440,673 S**

(45) **Date of Patent:** **** Apr. 17, 2001**

(54) **LIGHT FIXTURE**

(75) **Inventor:** **Jerrold L. Handsaker**, Algona, IA
(US)

(73) **Assignee:** **Innovative Lighting, Inc.**, Algona, IA
(US)

(**) **Term:** **14 Years**

(21) **Appl. No.:** **29/118,363**

(22) **Filed:** **Feb. 7, 2000**

(51) **LOC (7) Cl.** **26-05**

(52) **U.S. Cl.** **D26/24**

(58) **Field of Search** D26/24, 25, 35,
D26/61, 62, 63, 64, 65, 66; 362/427, 287,
418, 397

(56) **References Cited**

U.S. PATENT DOCUMENTS

D. 109,426	*	4/1938	Sauer	D26/35
D. 128,284	*	7/1941	Herr	D26/24
D. 190,517	*	6/1961	Schwartz	D26/24
D. 199,539	*	11/1964	Cook	D26/24
D. 213,903	*	4/1969	Ross	D26/24
D. 228,416	*	9/1973	Heinrich	D26/24
D. 283,552	*	4/1986	Brillo et al.	D26/24

D. 291,602	*	8/1987	Decanay	D26/24
D. 302,594	*	8/1989	Charet et al.	D26/63
D. 312,136	*	11/1990	Miletich et al.	D26/24
D. 320,462	*	10/1991	Williams et al.	D26/24
D. 326,924	*	6/1992	Carroll	D26/35
D. 347,078	*	5/1994	Lyons et al.	D26/35
D. 347,903	*	6/1994	Paffrath	D26/35
5,023,765	*	6/1991	Barton	362/287 X

* cited by examiner

Primary Examiner—Cynthia E Ramirez

(74) *Attorney, Agent, or Firm*—Zarley, McKee, Thomte,
Voorhees & Sease

(57) **CLAIM**

I claim the ornamental design for a light fixture, as substantially shown and described.

DESCRIPTION

FIG. 1 is a front perspective view of a light fixture showing my new design.

FIG. 2 is a top plan view thereof.

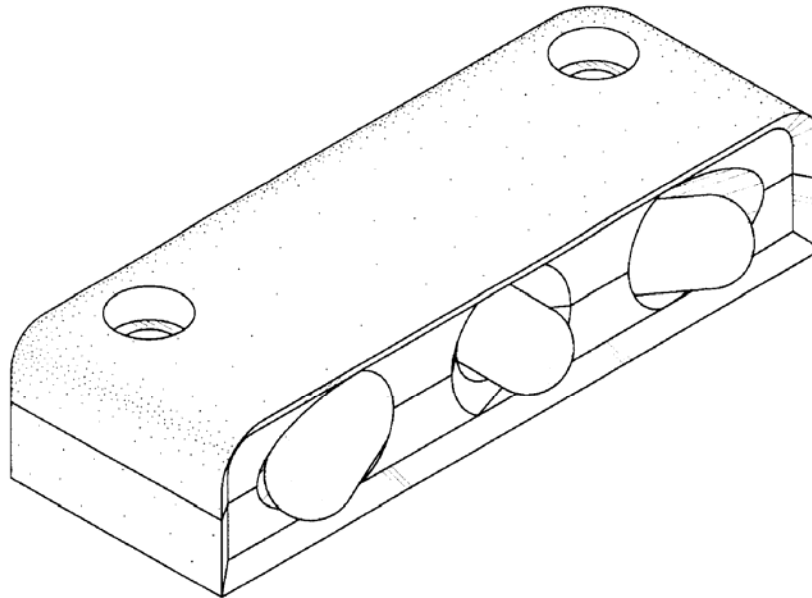
FIG. 3 is a bottom plan view thereof.

FIG. 4 is a front elevational view thereof.

FIG. 5 is a rear elevational view thereof.

FIG. 6 is an end elevational view with the opposite end being a mirror image thereof.

1 Claim, 1 Drawing Sheet



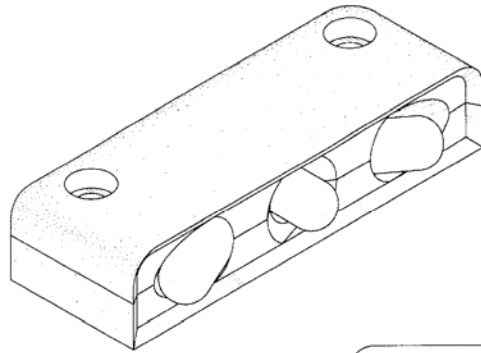


Fig. 1

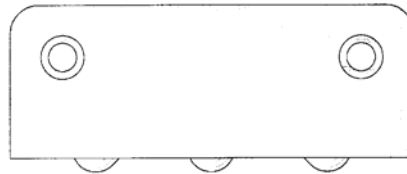


Fig. 2

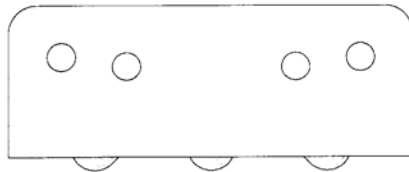


Fig. 3

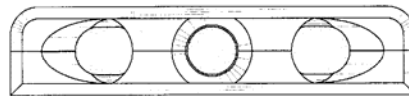


Fig. 4

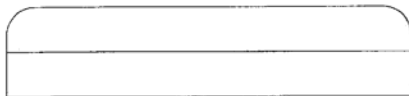


Fig. 5



Fig. 6