



# Electromagnetic Coils

## For vibratory feeders

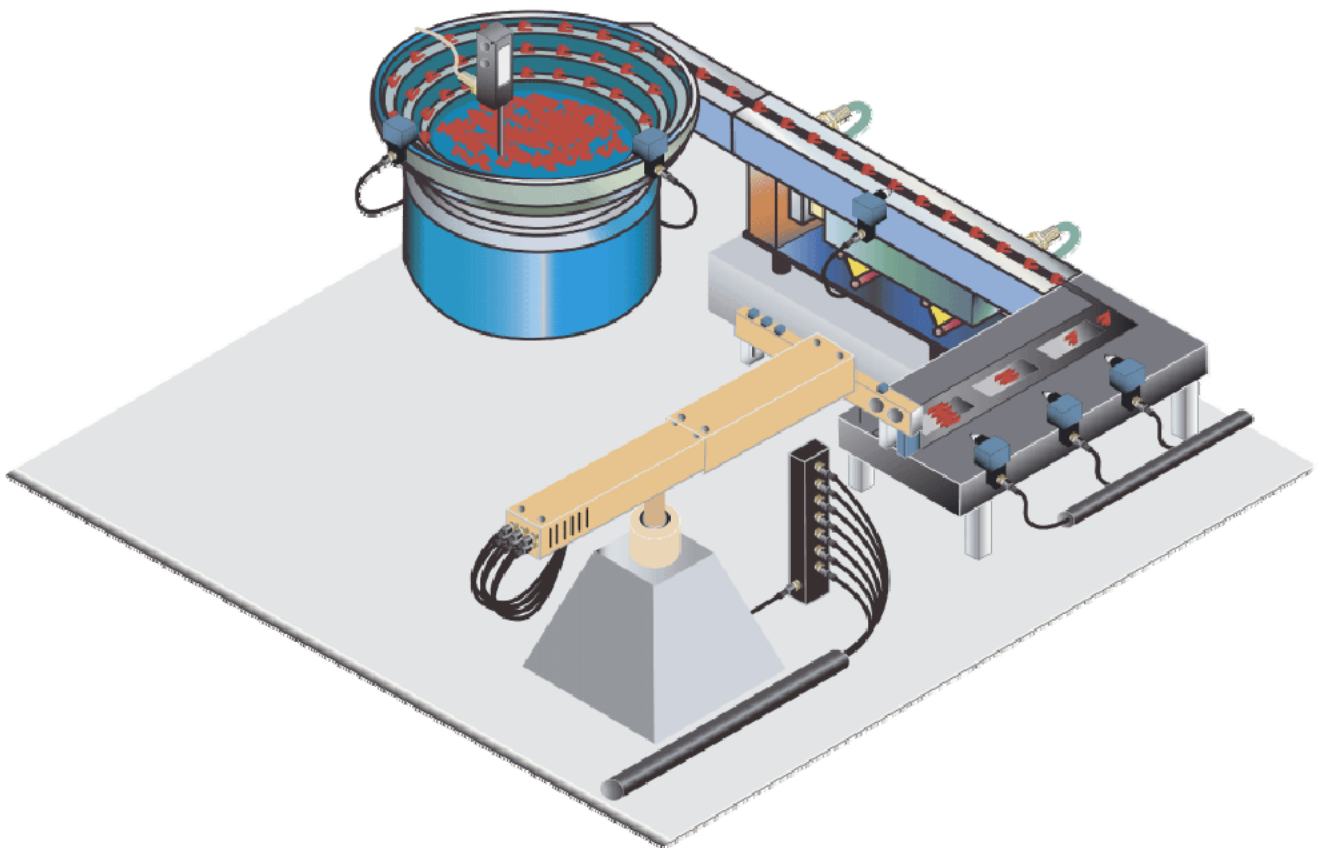
ELECTROMAGNETIC COILS

**REO**

3250 NORTH POST ROAD  
SUITE 132  
INDIANAPOLIS, IN 46226  
317-899-1395 PH 317-899-1395 FAX  
WWW.REO-USA.COM

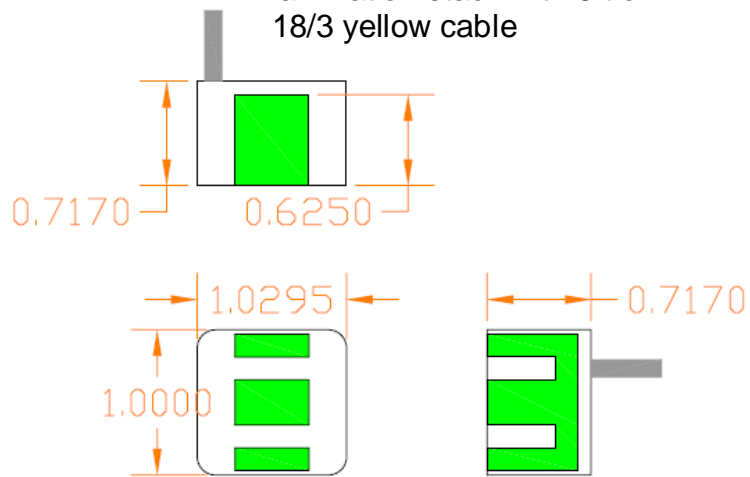
**REO**  
REO-USA

# Electrotechnology for the Future

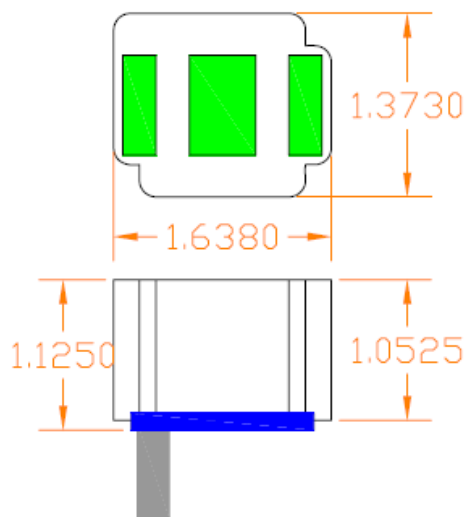


## INLINE COILS

PART NUMBER	NAME	DESCRIPTION
M21LT15-53	M2 INLINE COIL	120 VAC coil with .63" X 1" lamination stack with 6ft of 18/3 gray cable
M21LT20-53	M2 INLINE COIL	240 VAC coil with .63" X 1" lamination stack with 6ft of 18/3 yellow cable



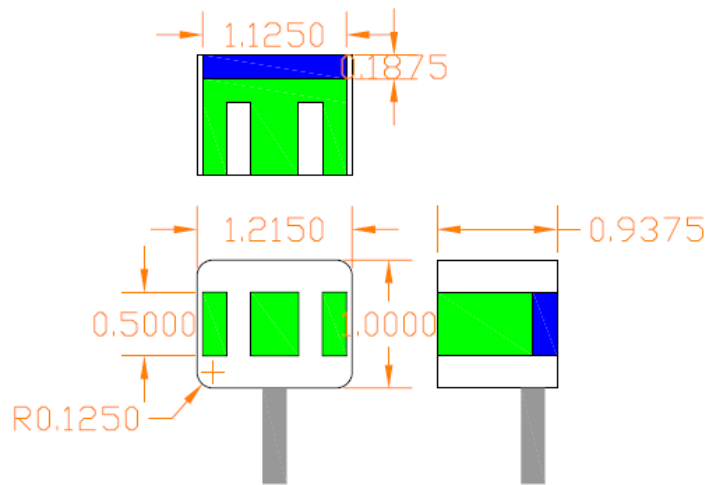
S21LT15-42	S2 INLINE COIL	120 VAC coil with 1" X 1.5" lamination stack with 6ft of 18/3 gray cable
S21LT20-42	S2 INLINE COIL	240 VAC coil with 1" X 1.5" lamination stack with 6ft of 18/3 yellow cable



## DRIVE COILS

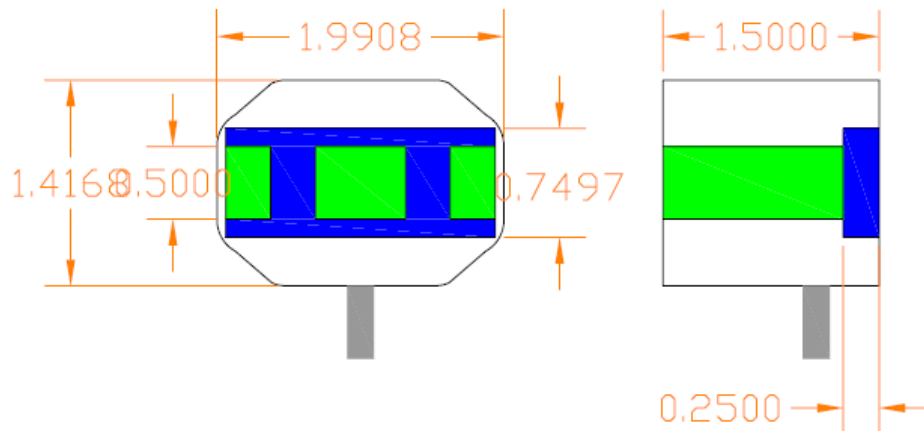
### FITS 6"-10" BOWLS

PART NUMBER	NAME	DESCRIPTION
0610F15-53	6"-10" BOWL	120 VAC coil with .75" X 1" lamination stack with 6ft of 18/3 gray cable
0610F20-53	6"-10" BOWL	240 VAC coil with .75 X 1" lamination stack with 6ft of 18/3 yellow cable



### FITS 12" BOWLS

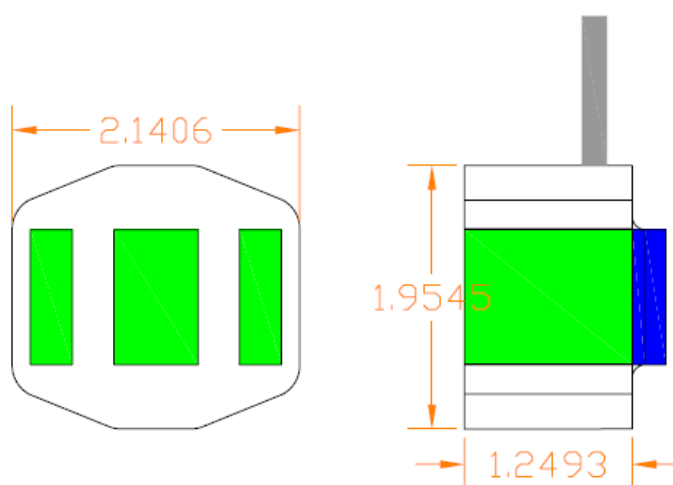
1212F15-21	12" BOWL	120 VAC coil with 1" X 1.25" lamination stack with 6ft of 16/3 gray cable
1212F20-21	12" BOWL	240 VAC coil with 1" X 1.25" lamination stack with 6ft of 16/3 yellow cable



## DRIVE COILS

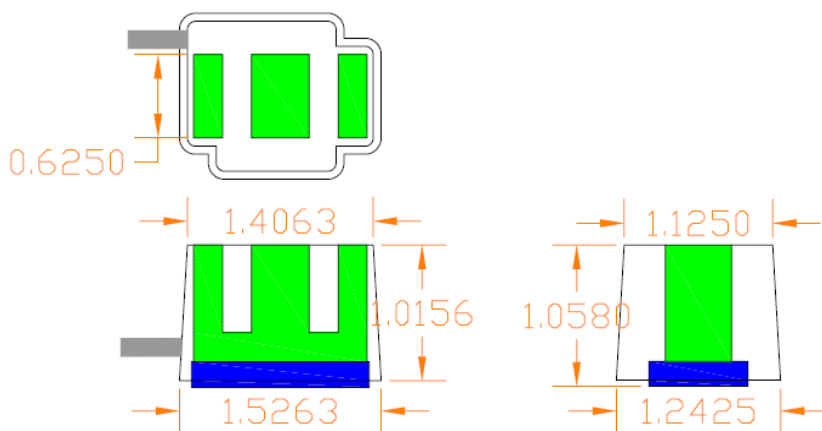
### FITS 15"-30" BOWLS

PART NUMBER	NAME	DESCRIPTION
1530F15-21	15"-30" BOWL	120 VAC coil with 2" X 1.25" lamination stack with 6ft of 16/3 gray cable
1530F20-21	15"-30" BOWL	240 VAC coil with 2" X 1.25" lamination stack with 6ft of 16/3 yellow cable



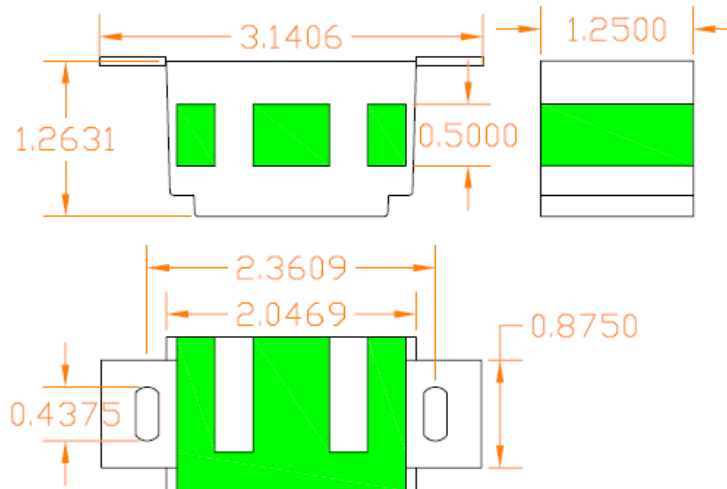
## HEAVY DUTY COILS

36XXS15-74	HEAVY DUTY COIL	120 VAC with 1.75" X 2.5" lamination stack with 6ft of 16/3 gray cable
36XXS20-74	HEAVY DUTY COIL	240 VAC with 1.75" X 2.5" lamination stack with 6ft of 16/3 yellow cable



## HOPPER COILS

PART NUMBER	NAME	DESCRIPTION
HOPRT15-5N	HOPPER COIL	120 VAC with 1.25" X 1" lamination stack with 6ft of 16/3 gray cable
HOPRT20-5N	HOPPER COIL	240 VAC with 1.25" X 1" lamination stack with 6ft of 16/3 yellow cable



I Lamination welded with grind finish                      \$1.00 per inch

Added cord lengths may be purchased at                      \$1.00 per foot

Special potting material is available at no additional cost on blanket orders of 200+ standard color is black.

All coils supplied with back plate and tapped mounting holes, other designs are available upon request.

# REOVIB CONTROLLERS

## ATS SERIES

604452      ATS 100 110/230 V 16A IP54 Single Output

604821      ATS 200 110/230 V 12 A IP54 Double Output

604831      ATS 300 110/230 V 12 A IP 54 Triple Output



## MFS SERIES

621624      MFS 268 8A IP 20 5-300Hz with track control and frequency regulation

626848      MFS 268 8A IP 54 5-300Hz with track control and frequency regulation

626867      MFS 268 XL 12A IP 54 5-300Hz with track control and frequency regulation

626887      MFS 268 XXL 16A IP 54 5-300Hz with track control and frequency regulation



## MTS SERIES

44015      MTS 440 10 A IP54 50/60 Hz with track control Single Output

44115      MTS 441 6 A IP 54 50/60 Hz with track control Single Output

44215      MTS 442 10A IP 54 50/60 Hz with track control Dual Output

44345      MTS 443 15A IP 54 50/60 Hz with track control Triple Output



# REO

## REO-USA

REO-USA, Inc. Offers the following:

- ✦ EMC/EMI Filters
- ✦ Train Technologies
- ✦ Medical Isolation Transformers
- ✦ Chokes
- ✦ Current Transformers
- ✦ Voltage Transformers
- ✦ Fixed Transformers
- ✦ Braking Resistors
- ✦ Sinusoidal Filters
- ✦ Vibratory Feeder Controls
- ✦ Rectifiers
- ✦ Power Semiconductors
- ✦ Variable Transformers
- ✦ Custom Control Cabinets

Trademarks, such as *REOVAR*, *REOVIB*, *REOTRON* and *REOHM* are recognized worldwide and symbolize high quality.



### North America

REO-USA, Inc.  
3250 North Post Road, Suite #132  
Indianapolis, IN 46226  
Phone (317) 899-1395  
Fax (317) 899-1396

### Germany

REO Inductive Components AG  
Brühler Straße 100  
D - 42657 Solingen  
Phone: 49-2 12 - 88 04 - 0  
Fax: 49-2 12 - 88 04 - 188

### Great Britain

Unit 2 - 4 Callow Hill Road  
Cavern Arms  
GB - Shropshire SY7 8NT  
Tel. 44 (0) 1588-673-411  
Fax 44 (0) 1588-672-718

### Spain

Ri Ventura I Campeny 21B local 9  
08339 Vilassar de Dalt (Barcelona) España  
Tel. 34 (93) 1-509-994  
Fax 34 (93) 1-509-995

### Belgium

504 Chaussée de Wavre  
B-1390 Grez-Doiceau  
Tel. (010) 84 20 49  
Fax (010) 84 50 66

### Italy

Via Treponti, 29  
I-25086 Rezzato (BS)  
Tel. (030) 2 79 38 83  
Fax (030) 2 49 06 00

### France

ZAC DU Clos aux Pôles 1  
6/8 rue de la Closerie-LISSES  
F-91048 Evry Cédex  
Tel. 33 (01) 69 11 18 98  
Fax 33 (01) 69 11 09 18

### Poland

Pozaryklego 28, bud 20  
PL-04-703 Warsaw  
Tel. 48 (022) 812 30 66  
Fax 48 (022) 815 69 06

### Shanghai REO Electronic CO., LTD.

504 Unit, No. 1 Bldg., 3000 Longdong Ave.  
Pudong, 201203 Shanghai, China  
Tel. 86 (21) 6879-0830  
Fax 86 (21) 6879-0823

### REO Inductive Components AG Moscow Representative Office

Vienna House  
ul. Petrovka 27  
107031 Moscow  
Tel. 7 (495) 956-55-57  
Fax 7 (495) 956-82-63

### India

406 Sapphire Arcade, 42, M.G. Road  
Ghatkopar (E)  
Mumbai 400 077  
Tel. 91 (22) 251643-26  
Fax 91 (22) 251643-17