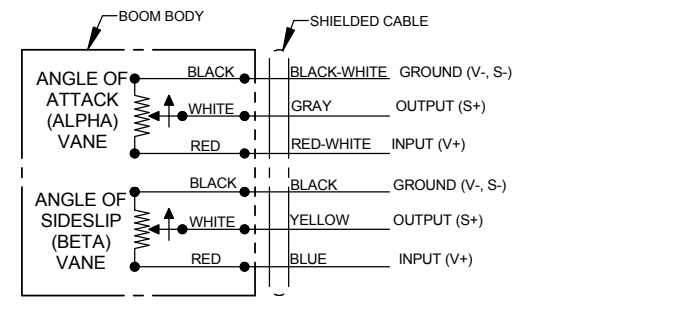


This drawing contains design and other information which is the property of SpaceAge Control, Inc. Except for rights expressly granted by contract to the United States Government, this drawing and data disclosed herein or herewith is not to be reproduced, used, or disclosed in whole or in part to anyone without the written permission of SpaceAge Control, Inc.

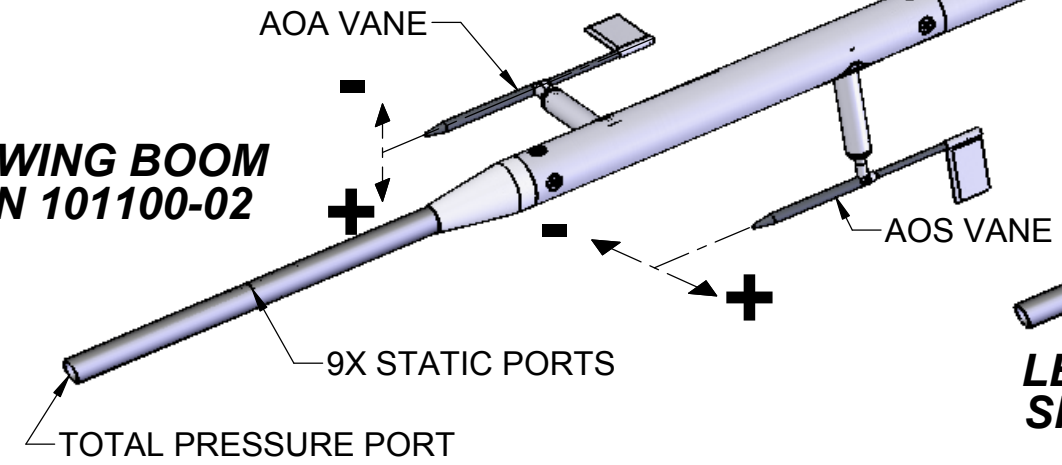
RIGHT WING BOOM SCHEMATIC SPA PN 101100-02



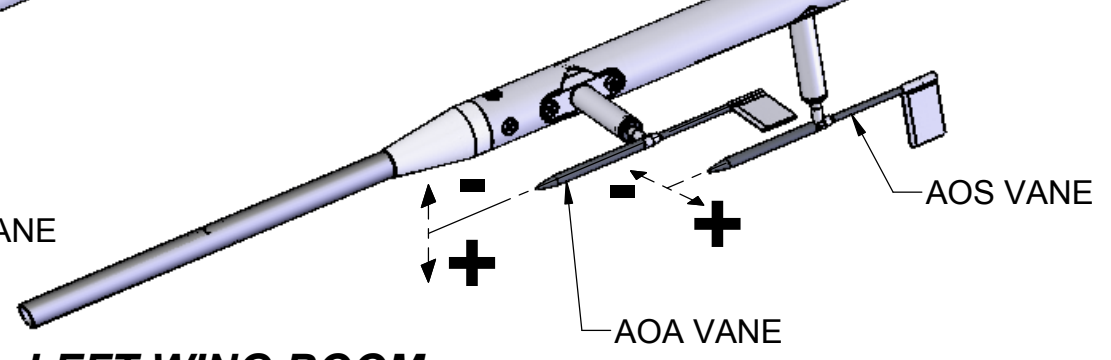
IDENTIFICATION MARKING:
SPACEAGE CONTROL INC
PN 101100-02
SN XXXXXX

IDENTIFICATION MARKING:
SPACEAGE CONTROL INC
PN 101100-01
SN XXXXXX

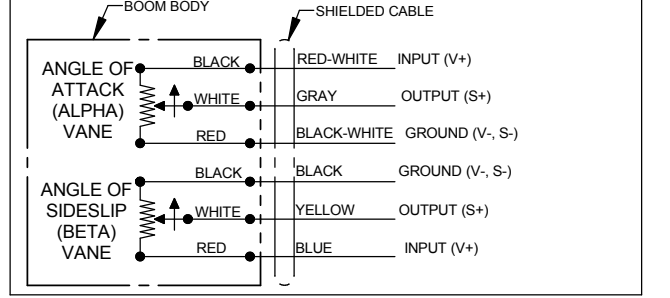
RIGHT WING BOOM SPA PN 101100-02



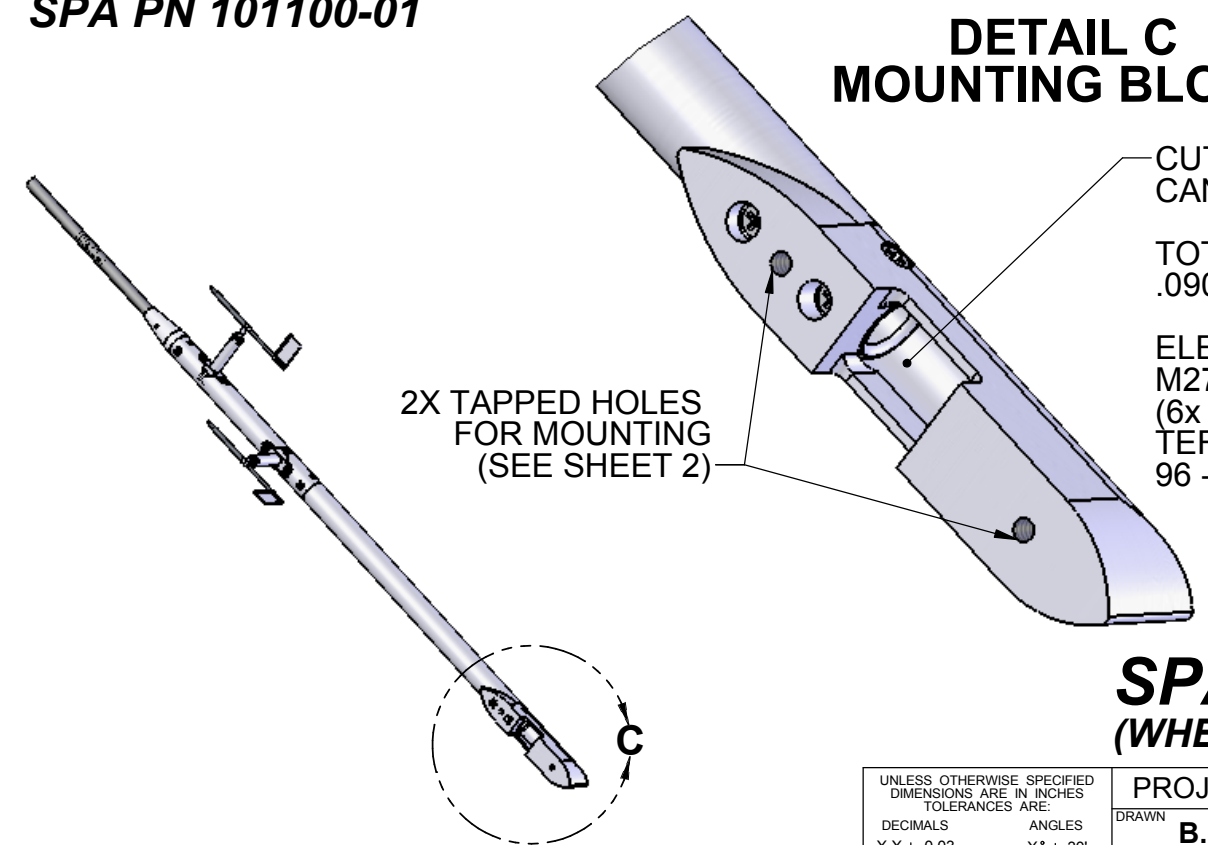
LEFT WING BOOM SPA PN 101100-01



LEFT WING BOOM SCHEMATIC SPA PN 101100-01



DETAIL C MOUNTING BLOCK



CUTOUT FOR WIRES / TUBING - EXIT CAN BE LEFT, RIGHT, OR BOTTOM

TOTAL AND STATIC LINES ARE NYLON .090 O.D. x .055 I.D. X 96 - 110 INCH LONG

ELECTRICAL CABLE PER M27500A24RC6S09 OR EQUIVALENT (6x 24-GAUGE CONDUCTOR, SHIELDED, TEFLON JACKET, ϕ .180) 96 - 110 INCH LONG

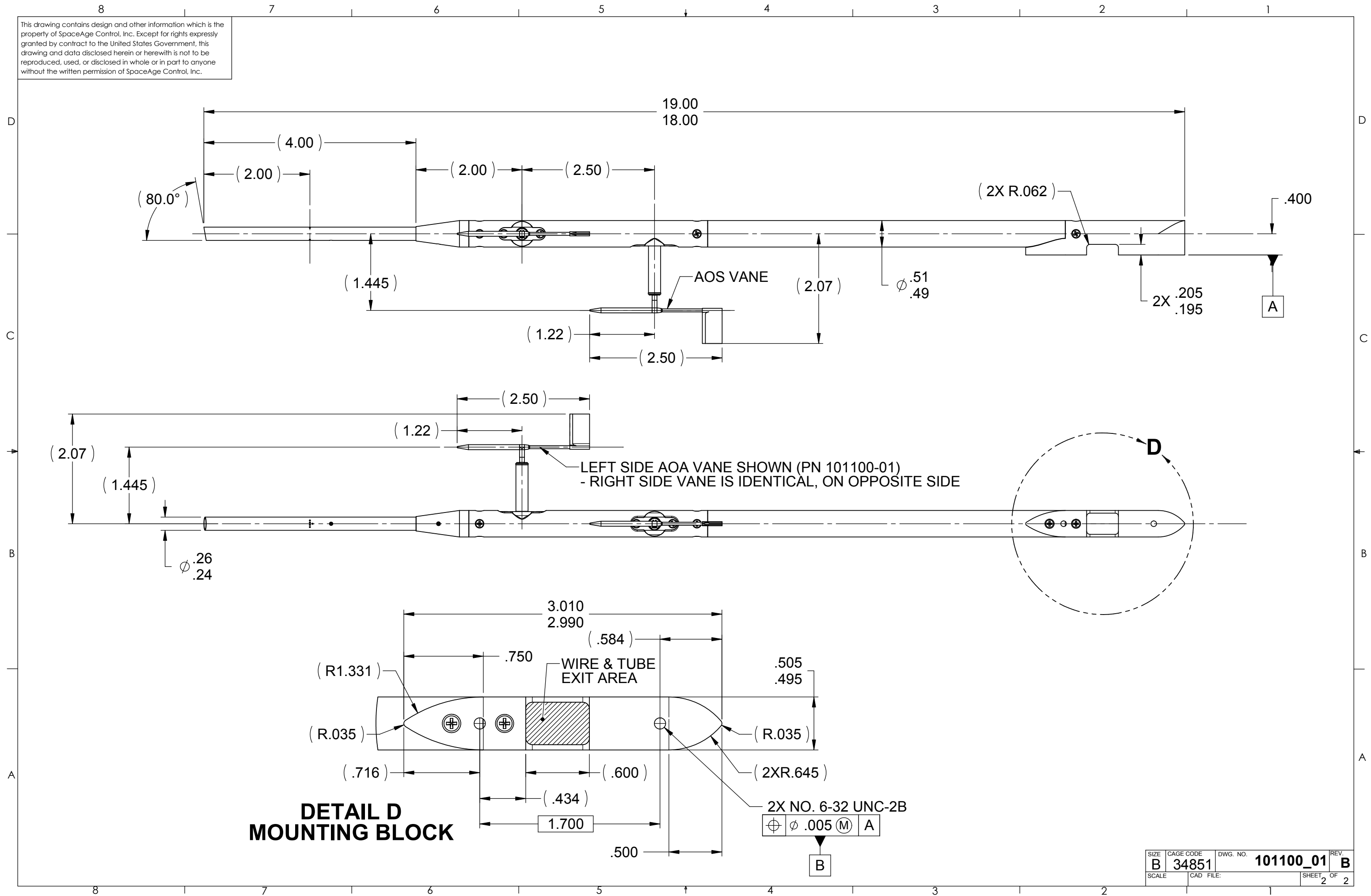
NOTES: UNLESS OTHERWISE SPECIFIED

- VANE POTENTIOMETER (SENSOR) SPECIFICATIONS:
 - TYPE: CONDUCTIVE PLASTIC
 - RESISTANCE: 1.5K OHMS \pm 15%
 - INDEPENDENT LINEARITY: \pm 5% MAX OF FULL SCALE PER VRCI-P-100A
 - POWER RATING AT 70° C: 0.5 WATT MIN
 - MECHANICAL TRAVEL: 360° CONTINUOUS
 - MECHANICAL LIFE: 100 MILLION SHAFT REVOLUTIONS MIN
 - OPERATING TEMPERATURE RANGE: -65° TO +125° C
- AOA VANE ELECTRICAL OUTPUT CHARACTERISTICS:
 - SEE LEFT AND RIGHT WING BOOM SCHEMATICS ON DRAWING
 - OUTPUT VOLTAGE INCREASES FROM "-" TO "+" AS SHOWN ON DRAWING
 - AOA ELECTRICAL TRAVEL: -45° TO +135°
 - OUTPUT AT -45°: .01% - .60% OF FULL SCALE INPUT VOLTAGE
 - OUTPUT AT +135°: 93.00% - 99.99% OF FULL SCALE INPUT VOLTAGE
- AOS VANE ELECTRICAL OUTPUT CHARACTERISTICS:
 - SEE LEFT AND RIGHT WING BOOM SCHEMATICS ON DRAWING
 - OUTPUT VOLTAGE INCREASES FROM "-" TO "+" AS SHOWN ON DRAWING
 - AOS ELECTRICAL TRAVEL: -90° TO +90°
 - OUTPUT AT -90°: .01% - .60% OF FULL SCALE INPUT VOLTAGE
 - OUTPUT AT +90°: 93.00% - 99.99% OF FULL SCALE INPUT VOLTAGE
- THE SURFACE FINISH OF THE FINAL AIR DATA BOOM ASSEMBLY SHALL HAVE A MINIMUM OF A 63 MICRO-INCH FINISH AND SHALL BE FREE OF BURRS. INTERACING PARTS ON BOOM SHALL BE BLENDED AND AERODYNAMIC.
- WEIGHT:
 - AIR DATA BOOM NOT INCLUDING WIRING AND PNEUMATIC TUBING: APPROXIMATELY .22 LB
 - CABLE AND PNEUMATIC TUBING (96 INCHES): APPROXIMATELY .29 LB
 - WEIGHT OF COMPLETE ASSEMBLY: .60 MAX

SPA PN 101100-XX (WHERE "XX" IS DASH NO.)

UNLESS OTHERWISE SPECIFIED DIMENSIONS ARE IN INCHES TOLERANCES ARE:		PROJECT 156		SpaceAge Control, Inc.	
DECIMALS	ANGLES	DRAWN	DATE	AIR DATA BOOM, SUBMINIATURE	
X.X \pm 0.03	X° \pm 30'	B.P.	XX-YY-ZZ		
X.XX \pm 0.01		APPROVALS		REV. A	
X.XXX \pm 0.005		CHECKED			
DO NOT SCALE DRAWING		DIGITAL - ON FILE		DWG. NO. 101100_01	
MATERIAL SEE NOTES		ENG			
FINISH SEE NOTES		DIGITAL - ON FILE		SIZE B	CAGE CODE 34851
CAD GENERATED DRAWING. DO NOT MANUALLY UPDATE				SCALE	CAD FILE:

This drawing contains design and other information which is the property of SpaceAge Control, Inc. Except for rights expressly granted by contract to the United States Government, this drawing and data disclosed herein or herewith is not to be reproduced, used, or disclosed in whole or in part to anyone without the written permission of SpaceAge Control, Inc.



AOS VANE

LEFT SIDE AOA VANE SHOWN (PN 101100-01)
- RIGHT SIDE VANE IS IDENTICAL, ON OPPOSITE SIDE

**DETAIL D
MOUNTING BLOCK**

WIRE & TUBE
EXIT AREA

2X NO. 6-32 UNC-2B
φ .005 M A

SIZE	CAGE CODE	DWG. NO.	REV.
B	34851	101100_01	B
SCALE	CAD FILE:	SHEET	OF
		2	2