

LED High Bay

Ideal for commercial or industrial applications, Albeo's LED High Bay luminaire provides an energy efficient, no maintenance alternative to traditional light fixtures. Replaces 400W metal halide or up to eight T8 lamps. Achieve 3 to 5 times longer life with Albeo's patent-pending TEMPR™ Technology. Heavy duty, instant start time, and no hazardous materials.

Robust and Innovative Construction

Albeo's TEMPR™ thermal management technology transfers heat from the LED into the rugged aluminum housing, reducing junction temperature for more light and longer life.

Optical Advantage

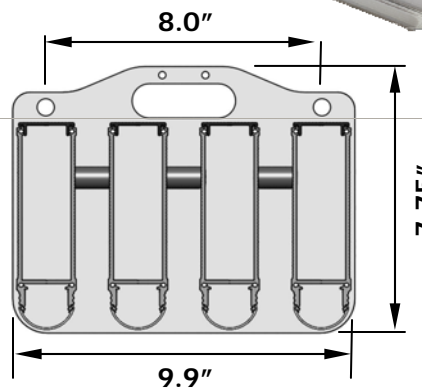
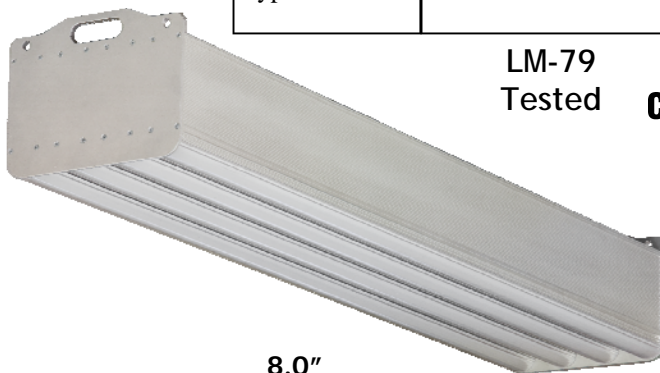
High performance LEDs offer superior efficacy and visual acuity with broad spectrum, quality colors for almost any application. Directional LEDs put more light where it's needed, without reflectors, greatly increasing efficiency.

Superior Performance

Instant start time. No flicker or buzzing. -10 to +110F operating temperature.

Electrical System

110 or 277 VAC input. Robust toroidal transformer included. Dimming capabilities.



Patents Pending

| | |
|-------------|---------|
| Part Number | |
| Type | Comment |

LM-79 Tested



Options

Optimize energy savings and light distribution with occupancy sensing and lens options.

Easy Mounting

Standard chain, cable, or rod suspended.

Warranty

The LED High Bay is guaranteed for five years, subject to Albeo's standard terms and conditions.

Ordering Information

| Product Platform | Model | # of LED bars | Length | LED CCT | LED Pitch | Input Voltage | Optics | Mounting | Options | Revision |
|---|--------------------------|-----------------|---------------|------------------------------------|-----------------|----------------------------------|--|--------------------------------|--|--|
| HB | B | 4 | 4 | 4 | 0 | 1 | N | C | 0 | Rx |
| HB LED High Bay Light Fixture | B High Brightness | 4 4 bars | 4 4 ft | 4 5000°K 5 4200°K | 0 1 inch | 1 110 V 2 277 V | 0 Lens 1 No Lens N Narrow | C Chain R Rod | 0 None M Integrated Motion Sensor | Used to further define product configuration |

For more options or custom configurations, please contact sales.

rev. 7.6.09



LED High Bay

Optical and Electrical Specifications

All options not listed. Please contact sales for technical specs of other part numbers.

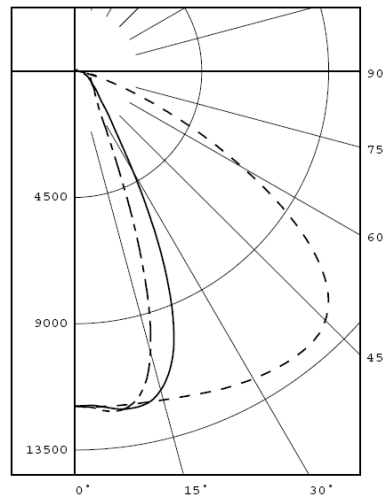
| Part Number | Length | Color | Temp | # of LEDs | Lumens | Watts | Lumens/W |
|------------------|--------|--------|--------|-----------|--------|-------|----------|
| HB-B444-0x1xx-R2 | 4 ft | Bright | 5000 K | 180 | 12,150 | 171 | 71 |
| HB-B445-0x1xx-R2 | 4 ft | Cool | 4200 K | 180 | 10,900 | 171 | 64 |
| HB-B444-0x1xx-R1 | 4 ft | Bright | 5000 K | 180 | 14,150 | 211 | 67 |
| HB-B445-0x1xx-R1 | 4 ft | Cool | 4200 K | 180 | 12,700 | 211 | 60 |

| Efficacy comparison of common lamp types vs Albeo LED High Bay | | | | | |
|--|-----------|----------|------------|-----------|-------------|
| | Albeo LED | 400W HID | 8 lamp T12 | 8 lamp T8 | 4 lamp T5HO |
| Initial Power (W) | 171 | 465 | 320 | 256 | 216 |
| Initial Output (lumens) | 12150 | 29000 | 22680 | 22800 | 19000 |
| Initial Efficacy (lm/W) | 71.1 | 62.4 | 70.9 | 89.1 | 88.0 |
| Luminaire Efficiency | 100% | 80% | 70% | 80% | 90% |
| Lamp Lumen Depreciation | 90% | 62% | 80% | 90% | 90% |
| Dirt Depreciation | 95% | 85% | 80% | 85% | 90% |
| Lamp Burn Out Factor | 100% | 80% | 80% | 85% | 90% |
| Scotopic / Spectral Factor | 100% | 85% | 90% | 90% | 90% |
| Total Light Loss Factor | 86% | 29% | 32% | 47% | 59% |
| Mean Lumen Output | 10388 | 8314 | 7316 | 10675 | 11219 |
| Maintained Lumens/Watt | 60.8 | 17.9 | 22.9 | 41.7 | 51.9 |
| LED Comparison Factor | 1.00 | 0.29 | 0.38 | 0.69 | 0.86 |

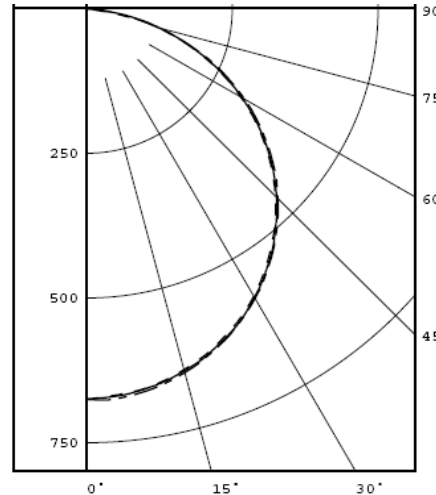
Photometry

Tested to LM-79 standards. IES files available.

Narrow Distribution



Standard Distribution



The Albeo LED High Bay fixture must be installed by a qualified electrician. It is the responsibility of the contractor, installer, purchaser, owner, and user to install, maintain, and operate the fixture in such a manner as to comply with all state and local laws, ordinances, regulations, and the American National Standards Institute Safety Code.

US Patents Pending

Specification subject to change without notice. See website for latest version.

