

Stryker SG500 Specifications

Overall Height	7' - 2 ¹³ / ₃₂ "
Overall Width	5' - 1"
Minimum Frame Width	1' - 6"
Maximum Frame Width	4' - 2 ²³ / ₆₄ "
Weight	108 lbs.

Tower Features

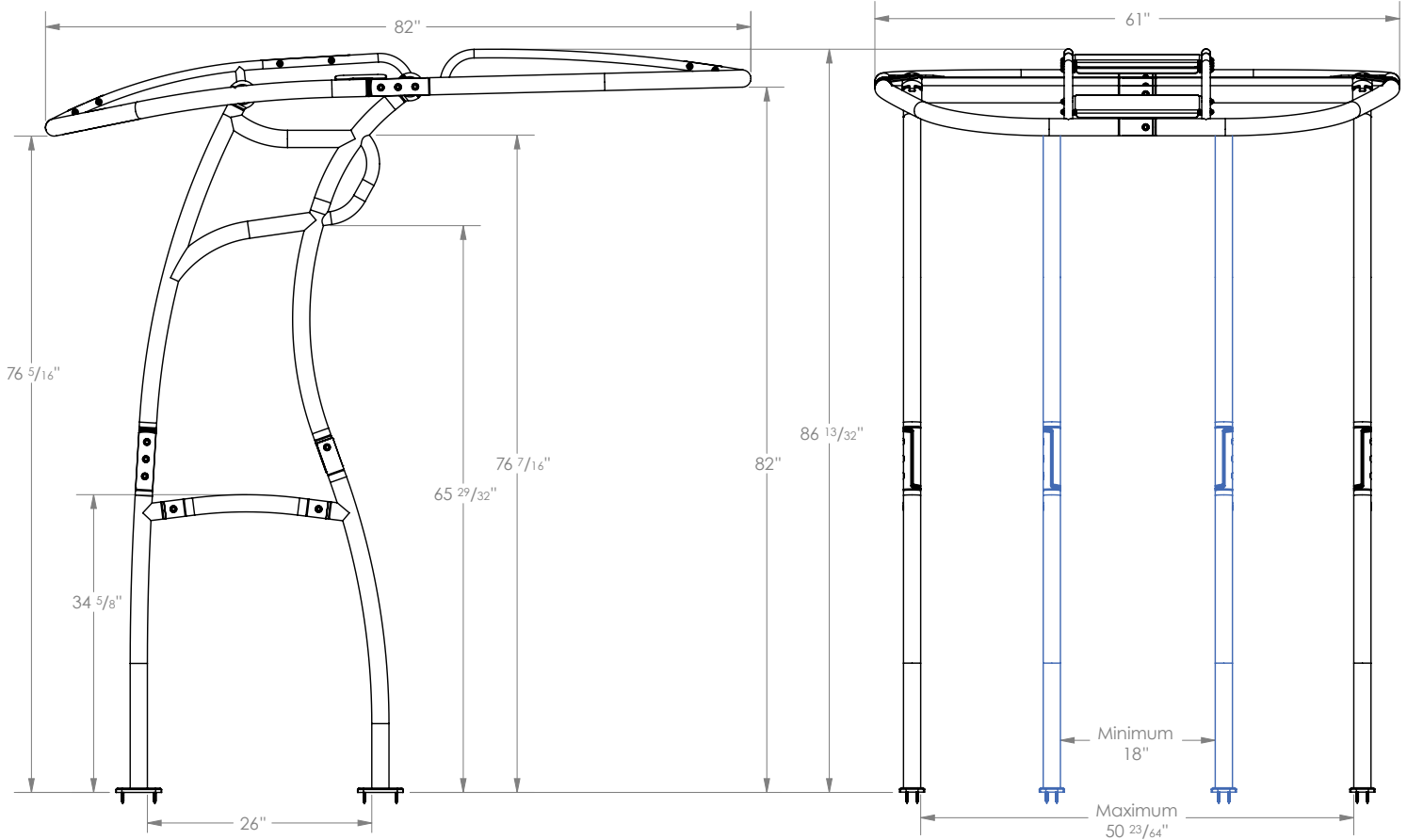
- Universal design fits consoles up to 45"
- Pre-fabricated, pre-welded construction
- Assembles and installs without welding
- Folds for easy storage and transporting
- 7 mounting plates for accessories
- 2" diameter 6061 grade aluminum tube

Marine grade 8μ clear anodized finish

- Marine grade 316 stainless steel fasteners
- Rubber-lined clamps to reduce vibration and prevent scratching
- 5 year warranty
- Part # SG500

Canopy Features

- USA Sunbrella™ fade-resistant and stain-resistant fabric for canopy
- Premium marine grade fastening rope
- Rope ends stiffened 2cm to simplify and reduce canopy assembly time



See how easy it is to assemble and install a Stryker T-top. Watch our exclusive video at www.strykerttops.com