



## Unicel's NEW, thinner louvered glazing solution for door applications

Vision Control® Mini is the new interior privacy glass version of Unicel's market-leading Vision Control® product.

Perfectly suited for healthcare environments, Vision Control® Mini is a patented, hermetically sealed glass unit with operable louvres that can be customized for virtually any interior door application. Its advanced technology eliminates strings, ensures alignment and requires no maintenance.



### Vision

Completely adjustable privacy and visibility levels.

### Sound

Sound wave barriers for tranquility in any setting.

### Hygiene

Freedom from dust and germs. Ideal for ICU sliding door application.

## Features

### New, thinner construction

- Made with a 1" airspace that is ideal for sliding doors and other interior door applications

### Cord and string-free

- Eliminates misalignment

### Hermetically sealed

- Ensures optimal hygiene, infection control and freedom from dust and germs

### Insulated

- Features leaded, laminated, polycarbonate and bullet resistance

### Mechanical operation

- Is easily adjustable with fingertip crank handle or thumbwheel operators

### Color options

- Duracon Glossy White K-1285
- Duracon Metallic Gray K-20794
- Custom colors

## Key Benefits

### No maintenance

- Reduces cleaning costs

### Flexible

- Is fully operable on one or both sides

### Customizable

- Suits any interior applications

### Superior quality

- Is built to last

### Aesthetically appealing

- Enhances any design approach

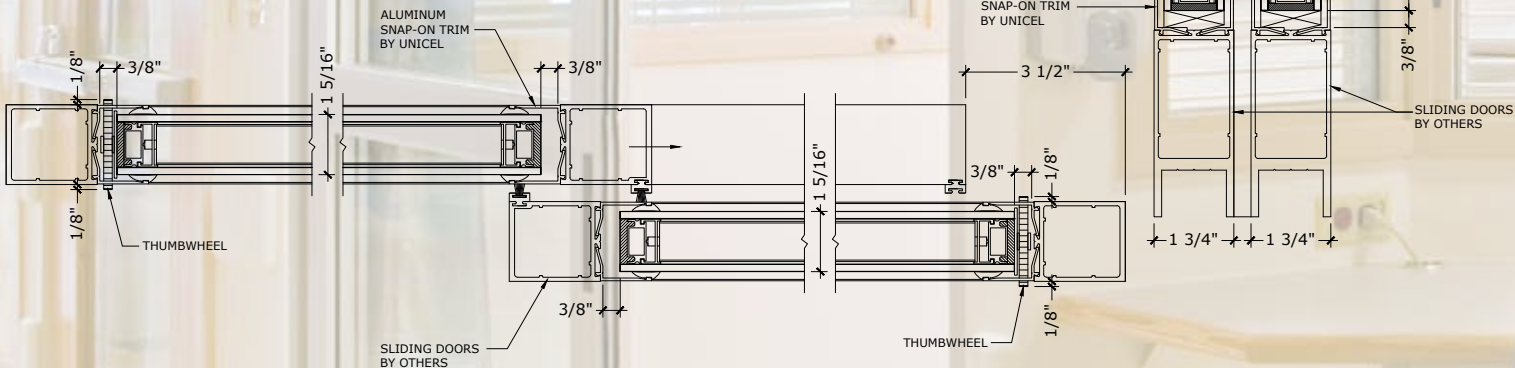
### Multi-purpose

- Eliminates need for curtains, shades or any type of blinds

### HIPAA compliant

- Ensures doctor/patient privacy

## Specially designed for sliding doors



## About Unicel Architectural

For over 45 years, Unicel Architectural has built a reputation for the most advanced aluminum and glass solutions. These solutions encompass louvered glazing, skylights and more, to enhance major global construction initiatives with the utmost quality and reliability. With its proprietary technology, Unicel's Vision Control® delivers unprecedented comfort and control over vision, light, temperature and sound with a patented

combination of louvers between glass that are hermetically sealed and cordless. Unicel's solutions are guaranteed for longevity, optimized for energy efficiency, and customizable to any design, environmental or cultural requirements. Unicel combines its market leading know-how with great design to ensure optimal aesthetics and sustainable performance.



THE CREATORS OF



Insulating Glass with Integral Cord-free Louvers



WINNER  
OF THE ARCHITECTS  
CHOICE AWARD  
AT THE  
NATIONAL SYMPOSIUM  
ON HEALTHCARE  
DESIGN