



Product Data Sheet

High Gain Panel Antenna

GPRS & 3G UMTS

High Gain Panel Antenna



WM11

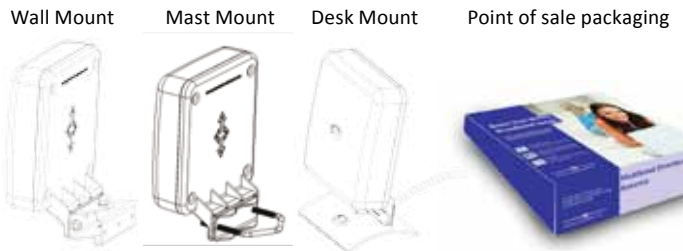
High gain

Mast mount, wall mount & desk mount options

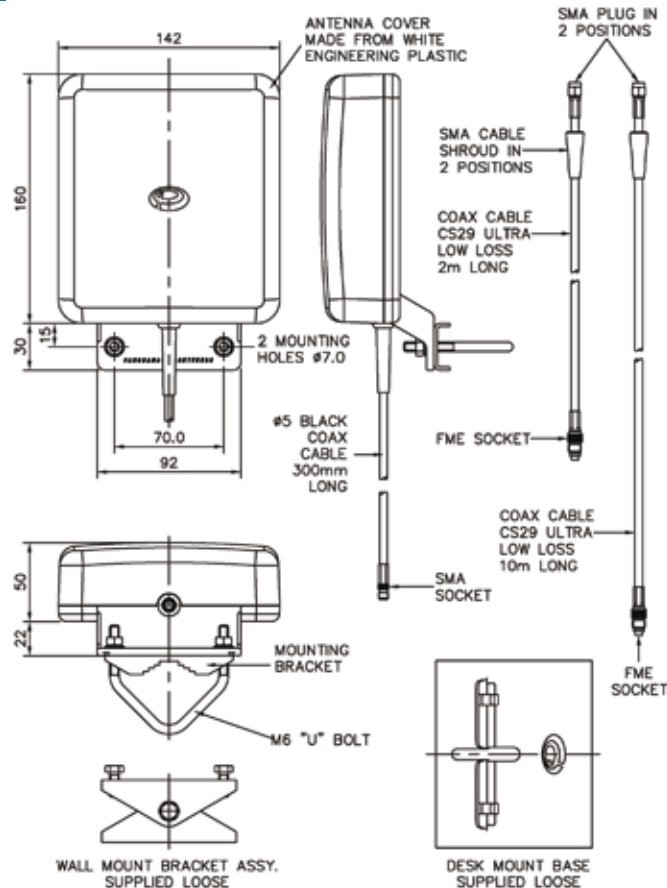
Waterproof housing

3G signal is often affected by external structures resulting in low signal within a building. This multiband ultra high gain panel antenna transmits your 3G signal in the direction of your nearest base station to ensure optimum signal strength.

Mounted on a wall or on a mast the WM11 range is waterproof and UV stabilised so it can withstand any weather condition.



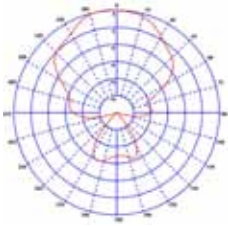
Technical Drawing



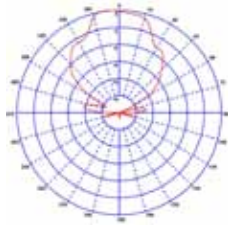
GPRS & 3G UMTS

High Gain Panel Antenna

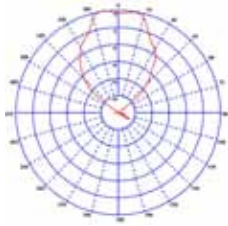
H-Plane (900MHz)



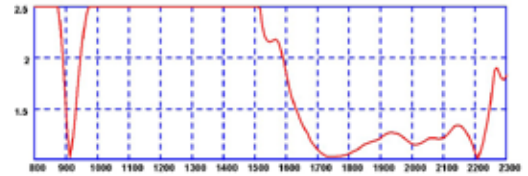
H-Plane (1800MHz)



H-Plane (2100MHz)



Typical VSWR



Part No.		WM11-ABOX	WM11-DBOX
Electrical Data			
Frequency Range (MHz)		805-894, 1710-1880, 1850-1990 & 1900-2170	890-960, 1710-1880, 1850-1990 & 1900-2170
Operational Band		AMPS800, GSM1800, PCS1900 & 3G UMTS	GSM900, GSM1800, PCS1900 & 3G UMTS
Gain: Isotropic		8dBi (805-894), 9dBi (1710-1900) & 11dBi (1900-2170)	8dBi (890-960), 9dBi (1710-1900) & 11dBi (1900-2170)
Compared to ¼ wave		6dB (805-894), 7dB (1710-1900) & 9dB (1900-2170)	6dB (890-960), 7dB (1710-1900) & 9dB (1900-2170)
VSWR		≤ 2.0:1	≤ 2.0:1
Polarisation		Vertical	Vertical
Pattern		Directional	Directional
Impedance		50Ω	50Ω
Max Input Power (W)		20W	20W
Mechanical Data			
Dimensions (mm)	Height	160	160
	Width	142	142
	Depth	50	50
Off-Set from wall (mm)		22	22
Operating Temp (°C)		-40° / +80°C	-40° / +80°C
Colour		White	White
Material		Engineering Plastic	Engineering Plastic
Pole Mounting Data			
Fixing		Pole Mount / Wall Mount	Pole Mount / Wall Mount
Pole Diameter (mm)		20 - 50	20 - 50
Wall Mounting Data			
Fixing		Swivel Bracket	Swivel Bracket
Off-set from wall (mm)		40	40
Desk Mounting Data			
Fixing		Desk Mount	Desk Mount
Width (mm)		120	120
Depth (mm)		100	100
Environmental Specification			
Wind Load / Resistance		63N at 180km/h	63N at 180km/h
Wind Surface (m²)		0.02	0.02
Cable Data			
Type		Low Loss Coaxial Cable	Low Loss Coaxial Cable
Length (m)		2 & 10	2 & 10
Colour		Black	Black
Thickness (mm)		5	5
Termination		FME socket	FME socket

Panorama Antennas Ltd
Frogmore, London, SW18 1HF, United Kingdom

T: +44 (0)20 8877 4444
F: +44 (0)20 8877 4477

E: sales@panorama-antennas.com
www.panorama-antennas.com

PANORAMA  ANTENNAS