



Product Data Sheet

TETRA UHF Ceiling Antenna

In Building Antennas

TETRA UHF Ceiling Antenna

- TETRA UHF
- In Building
- RoHS Compliant
- Omni Directional

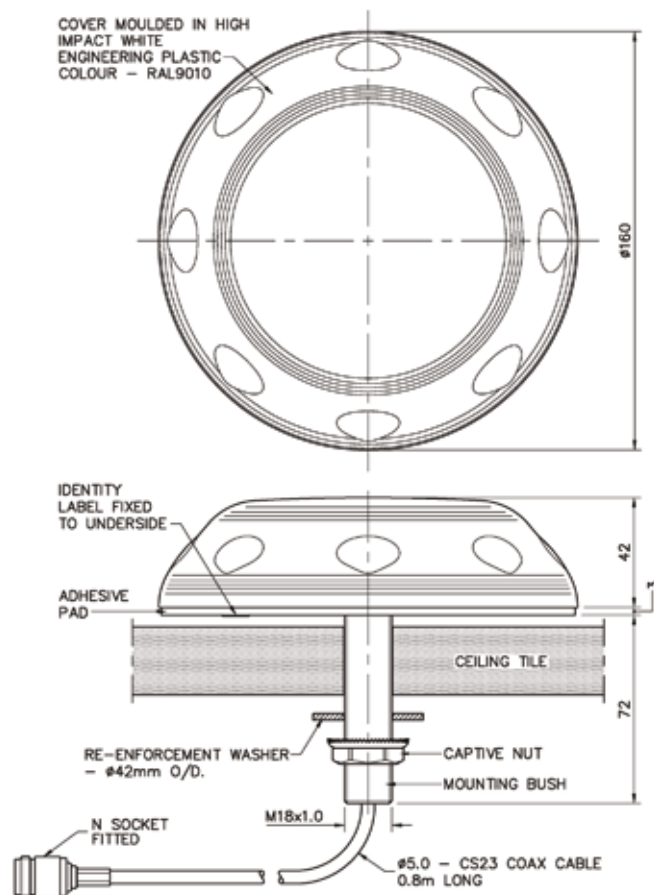


CM-S1-08NJ

- Easy installation
- In building TETRA UHF coverage
- Suitable for airports and large campus sites

The Panorama TETRA UHF ceiling antenna is designed to enhance network coverage in large buildings for the emergency services. Used in airports, large campus sites and shopping centres the antenna ensures there are no black holes in coverage or a reduction in signal strength.

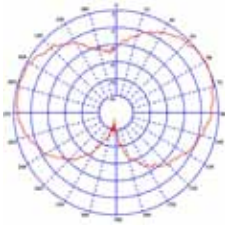
Technical Drawing



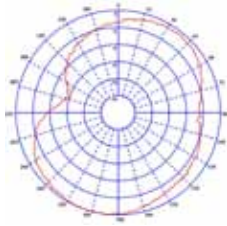
In Building

TETRA UHF Ceiling Antenna

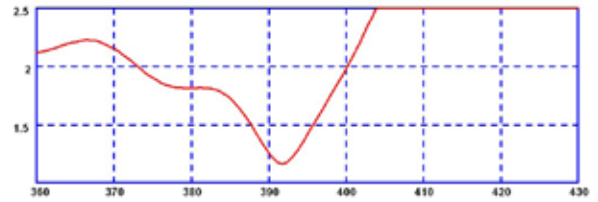
E-Plane (390MHz)



H-Plane (390MHz)



Typical VSWR



Part No.		CM-S1-08NJ	CM-S2-08NJ
Electrical Data			
Frequency Range (MHz)		380-400	410-430
Operational Band		S1	S2
Gain: Isotropic		0dBi	0dBi
Compared to ¼ wave		-2dB	-2dB
Polarisation		Vertical	Vertical
Pattern		Omni-directional	Omni-directional
Impedance		50Ω	50Ω
Max Input Power (W)		25	25
Mechanical Data			
Dimensions (mm)	Height	42	42
	Width	160	160
Operating Temp (°C)		-40° / +80°C	-40° / +80°C
Material		Engineering plastic	Engineering plastic
Colour		White (RAL9010)	White (RAL9010)
Mounting Data			
Fixing		Ceiling tile mounting	Ceiling tile mounting
Mounting hole size (mm)		18	18
Mounting length (mm)		72	72
Cable Data			
Type		CS23 Coaxial Cable	CS23 Coaxial Cable
Thickness (mm)		5	5
Length (m)		0.8	0.8
Termination		N Socket	N Socket

Panorama Antennas Ltd
Frogmore, London, SW18 1HF, United Kingdom

T: +44 (0)20 8877 4444
F: +44 (0)20 8877 4477

E: sales@panorama-antennas.com
www.panorama-antennas.com

PANORAMA  ANTENNAS