



Aseptic series

Air operated diaphragm pumps



topflo®

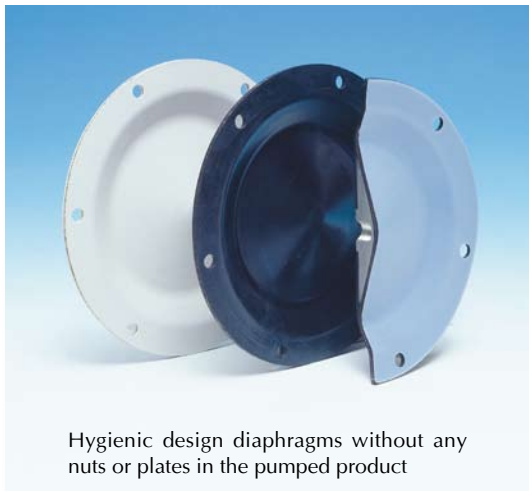


Aseptic series pumps



Keeping your process clean

Tapflo TX94 Aseptic series pumps are designed for service in pharmaceutical-, biotech- and food industries where a clean process is the key. Tapflo Aseptic series is EHEDG certified, has FDA and USP VI approved materials and conform to the ATEX directive 94/9/EG.



Hygienic design diaphragms without any nuts or plates in the pumped product



Environmental friendly lube free air valve

Typical applications

Food & dairy: Soup, cream, syrup, dairy products, flavoring, alcohol, chocolate, paste

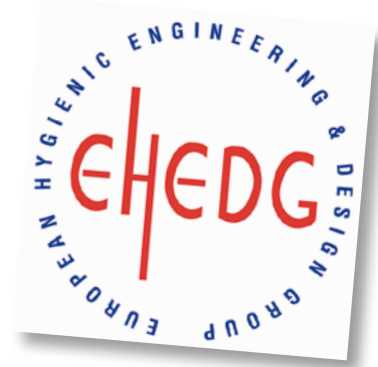
Pharmaceuticals & cosmetics: Cream, paste, alcohol and filtration gel

Features & benefits

- No bacteria growth – no horizontal areas
- Easy cleaning and draining - designed for CIP and SIP cleaning
- Gentle pumping - no damage of sensitive products
- Hygienic surfaces - housings made from electro polished stainless steel AISI 316L, Ra 0.8 (standard) or Ra 0.5 on request
- Wide range of connection types available: TriClamp, sanitary threads (DIN, SMS) etc
- No leakage - no rotating shaft seals
- Flexible installation - self priming
- Safe in explosion hazardous areas – conform with the ATEX directive
- Reliable in service – can run dry and against closed valve without damage



Smooth surfaces and clean ability are important keys for the EHEDG certification



The EHEDG certificate

The EHEDG (European Hygienic Engineering & Design Group) certificate is your guarantee that the design is according to the hygienic guidelines. Furthermore the pump is clean ability tested, which means bacteria does not grow in the pump after cleaning and draining procedure.

Technical data & dimensions

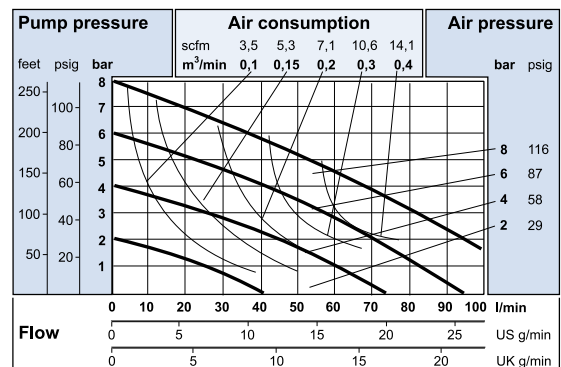
Data TX94

Max flow	94 l/min
Max pressure	8 bar
Max air pressure	8 bar
Dry suction lift	2 m
Max solid size	6 mm, bigger if soft
Temperature	-20° +110°C (temporary higher)
Weight	15 kg
Connections	Triclamp DN40, SMS, DIN and RJT threads, DIN 11864 clamp
ATEX details	Group II, cat 2, T4

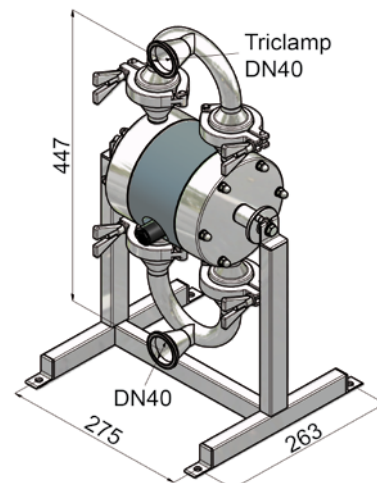
Materials and options

Housing, manifolds	AISI 316L, Ra 0.8 Ra 0.5 on request
Diaphragms	PTFE (FDA & USP VI) EPDM (FDA on request) White EPDM (FDA) PTFE with white back (FDA & USP VI)
Valves (ball type)	PTFE (FDA) PTFE (USP VI & FDA) EPDM (FDA on request) AISI 316L
O-rings	EPDM (FDA) EPDM (USP VI & FDA) FEP/FKM (FDA)
Options	Backup diaphragm system

Performance curve TX94



Dimensions TX94



Changes reserved without notice

www.tapflo.com

Tapflo is represented in more than 40 countries worldwide. Visit our website for updated information.



Tapflo offices

Belarus

Tapflo Belarus
Tel: +375 17 3121370
Fax: +375 17 3121370

Bulgaria

Tapflo EOOD
Tel: +359 (0) 888 765 288
Fax: +359 (2) 974 18 54

China

Tapflo (Wuxi)
Tel: +86 510 8241 7602
Fax: +86 510 8241 6807

Denmark

Tapflo Danmark
Tel: +45 36 454600
Fax: +45 36 453500

France

Tapflo France
Tel: +33 1 34 78 82 40
Fax: +33 1 34 78 82 41

India

Tapflo Pumps (India)
Tel: +91 44 42103695
Fax: +91 44 26203479

Ireland

Tapflo Ireland Ltd
Tel: +353 1 2011911
Fax: +353 1 2011912

Italy

Tapflo Italia
Tel: +39 0362307698
Fax: +39 0362307697

Kazakstan

Tapflo Kazakstan
Tel: +7 702 626 7997
Fax: +7 702 626 7997

Latvia

Tapflo Latvia
Tel: +371 7472205
Fax: +371 29288837

Poland

Tapflo Sp. z o.o.
Tel: +48 58 5301181
Fax: +48 58 5324767

Romania

S.C. Tapflo Rom. S.r.l.
Tel: +40 21 3451255
Fax: +40 21 3451166

Russia

OOO Tapflo
Tel: +7 095 2411017
Fax: +7 095 2411017

Spain

Tapflo Iberica
Tel: +34 91 8093182
Fax: +34 91 8093157

South Africa

Tapflo (Pty) Ltd
Tel: +27 41 5831412
Fax: +27 41 5831704

Turkey

Tapflo Makina Ltd
Tel: +90 216 467 33 11
Fax: +90 216 467 33 42

Ukraine

TOB Tapflo
Tel: +380 44 222 68 44
Fax: +380 44 222 68 45

United Kingdom

Tapflo (UK) Ltd
Tel: +44 2380 252325
Fax: +44 2380 269016

tapflo®

Swedish office

Tapflo AB

Filaregatan 4, S-442 34 Kungälv, Sweden
Tel: +46 303 63390, Fax: +46 303 19916
E-mail: sales@tapflo.com, internet: www.tapflo.com

Distributed By:



PumPortal
17865 Sky Park Circle
Unit M
Irvine, CA 92614
USA

Phone: 949-752-7860
E-Mail: sales@pumportal.com
Web: www.pumportal.com