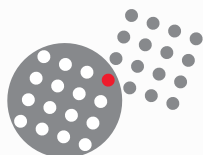




micr 38999

A Complete Miniature Range
Threaded, Break Away, Bayonet



SOURIAU
Connection Technology



Presentation

- The micro38999 ranges are made to meet a new generation of applications where space and weight are limited (Tactical radio, UAV, on board equipment, infantry, C4ISR, instrumentation, small equipment for industry, ...).
- The micro38999 is the first complete platform of miniature products available on the market with a 38999 design in order to be compliant with the harshest specification (Vibration, operating temperature, durability, corrosion resistance, EMI shielding, ...)

micro38999
is your solution for:

• Compactness

• Density

• 38999 design

• Robustness

• Space & weight saving

Contents

Overview

• micro38999/D38999 comparison	06
• A wide miniature 38999 product range	07
• Defense applications overview	08
• Industrial applications overview	09
• The micro38999 product matrix	10

8DA - Threaded Coupling

• Technical features	14
• Contact layout & Ordering information	15
• Dimensions	16
• Connector weights & Orientations	18

8BA - Break Away

• Technical features	22
• Contact layout & Ordering information	23
• Dimensions	24
• Connector weights & Orientations	26

8LTA - Bayonet Coupling

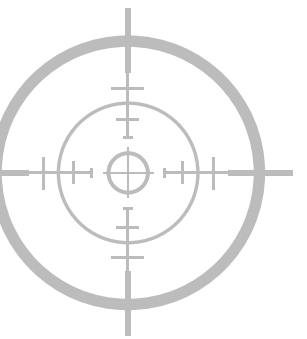
• Technical features	30
• Contact layout & Ordering information	31
• Dimensions	32
• Connector weights & Orientations	35

Accessories & Tooling

• Necessary tools for wiring	38
• Recommended accessories for wiring	39
• Connector accessories	39

• Worldwide sales network	40
---------------------------------	----

number 38999



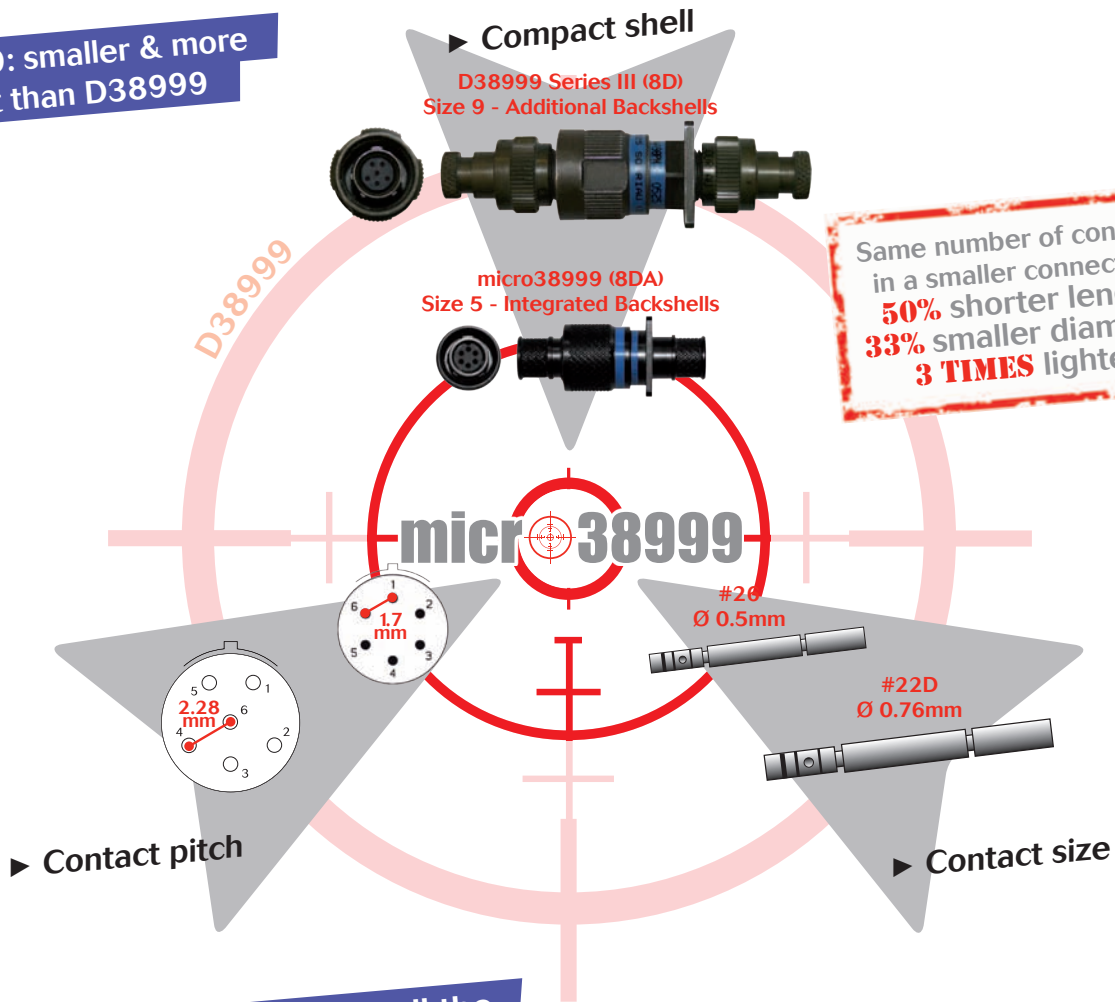
Overview

■ micro38999/D38999 comparison	06
■ A wide miniature 38999 product range	07
■ Defense applications overview	08
■ Industrial applications overview	09
■ The micro38999 product matrix	10



micro38999/D38999 comparison

micro38999: smaller & more compact than D38999



Although smaller, micro38999 has all the features and excellence of D38999



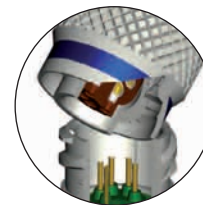
- ▶ High grade thermoplastic insert
- ▶ Silicone elastomer grommet and sealing - from -55° to 175°C as in D38999



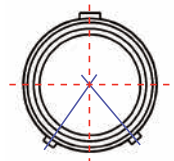
- ▶ Ratcheting system - Vibration: 44 grms @ 125°C
- ▶ EMI shielding - As in D38999



- ▶ Triple-start thread
- ▶ Contacts according to M39029 design
- ▶ EMI grounding - Connection as in D38999



- ▶ Scoop proof - Contacts protected like D38999



- ▶ 6 keyings - Same as D38999

Not QPL listed.



A wide miniature 38999 product ranges

3 coupling systems

► Threaded (8DA)



Plug

► Break away (8BA)



Plug

► Bayonet (8LTA)



Plug

Receptacle types



In line receptacle

Jam nut receptacle



Square flange receptacle



In line receptacle

Jam nut receptacle



In line receptacle

Jam nut receptacle



Square flange receptacle



Oval flange receptacle

2 removable contacts



► AWG 26
#26: Ø 1.29mm



► AWG 22
#22D: Ø 1.5mm

2 materials, 3 platings

Black Zinc Nickel on aluminum



Nickel on aluminum



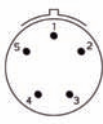
Cadmium on aluminum

Stainless steel



6 layouts, 3 sizes

3-05



5#26

3-35



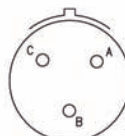
3#22D

5-06



6#26

5-35



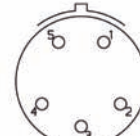
3#22D

7-09



9#26

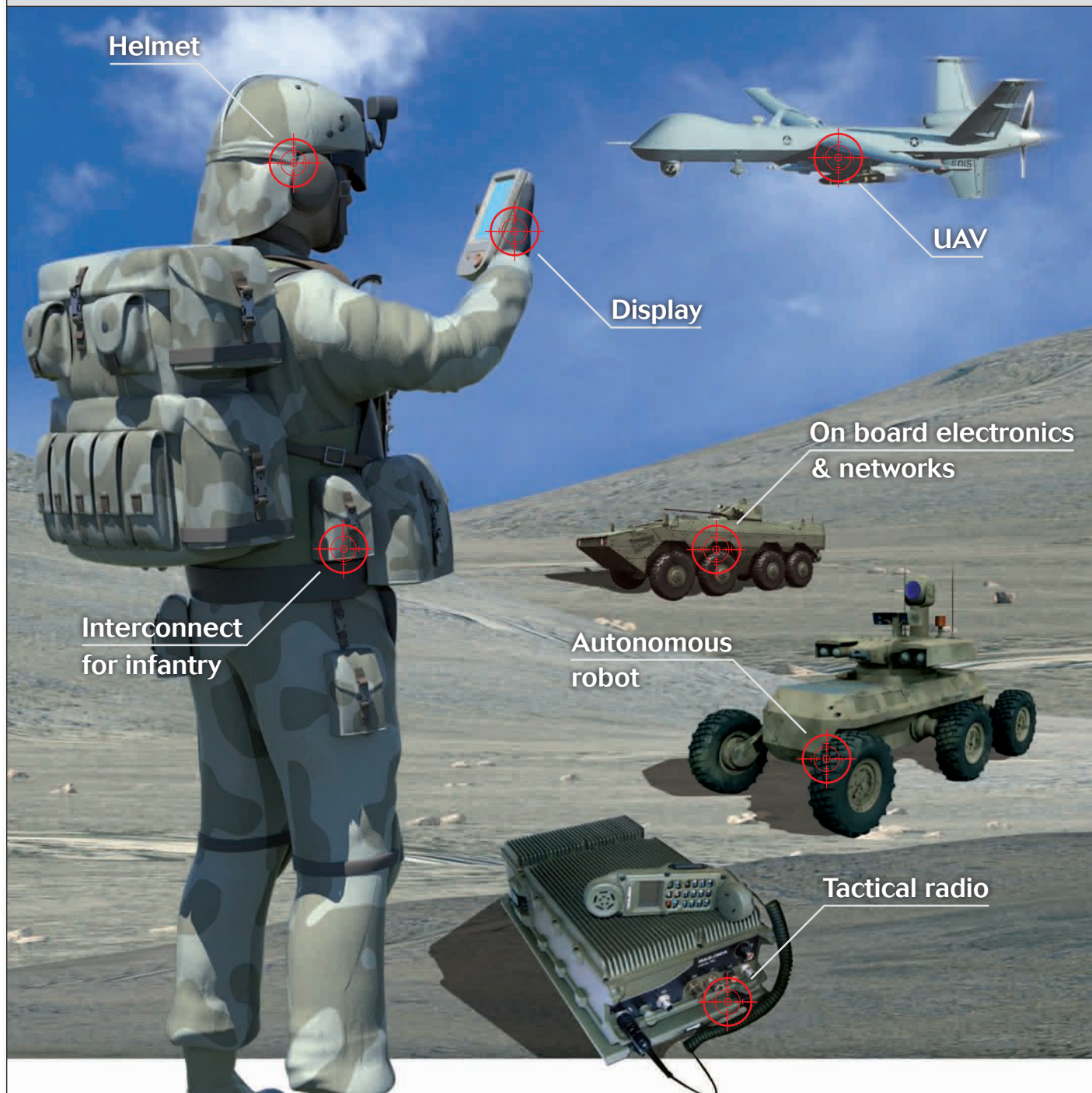
7-35



5#22D



Defense applications overview



micr 38999

Space and weight saving for Defense...






















Industrial applications overview



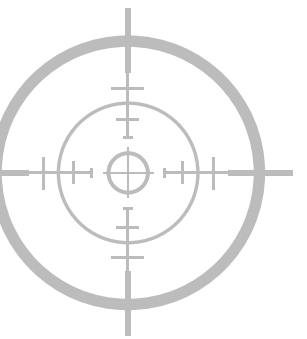
... and for Industry !



The micro38999 product matrix - Possible applications

					
<p>▶ Tactical radio or network systems Switch, docking station, power supply...</p>		<p>▶ Infantry Battery charger, display, helmet, radio, ...</p>	<p>▶ Autonomous robot Control unit, solar, data transmission...</p>	<p>▶ On board equipment UAV, Missile, civil & military aircraft, control unit, actuator, network and transmission system...</p>	<p>▶ Industrial equipment Instrumentation, small equipment for industry, ...</p>
<p>▶ Threaded (8DA) p.13</p> 					
<p>▶ Break away (8BA) p.21</p> 					
<p>▶ Bayonet (8LTA) p.29</p> 					

number 38999



8DA - Threaded Coupling

■ Technical features	14
■ Contact layout	15
■ Ordering information	15
■ Dimensions:	
Plug - Shell type 5 & 6	16
In line receptacle - Shell type 1	16
Jam nut receptacle - Shell type 7	17
Square flange receptacle - Shell type 0	17
■ Connector weights	18
■ Orientations	18



Description

- **A compact solution**
 - The smallest connector available on the market (shell size 3)
 - Miniaturization of MIL-DTL-38999 Series III
 - Threaded coupling (between 1/2 and 3/4 turn to mate) with ratcheting system (size 5 & 7)
 - Integrated backshell:
 - . Easy to wire and handle
 - . Compatible with heat shrink boot and braid retention band
 - . Compliant with overmolding
 - Triple-start thread
- **A versatile solution**
 - 3 shells sizes: 3, 5, 7
 - Plug; In line, square flange and jam nut receptacle
 - 2 materials, 3 platings
 - Crimp & PC tails (on request)
 - Removable contacts #22D & #26
 - 6 keyings
- **Harsh environment-resistant solution**
 - Scoop Proof
 - Cavity to cavity sealed with interfacial seal and grommet
 - EMI ring (for size 5 & 7)
 - Fluid resistant



Technical Features

Mechanical

- **Shell:**
 - Aluminum alloy
 - Passivated stainless steel (for size 5 & 7)
- **Shell plating:**
 - Aluminum:
 - . Zinc nickel (RoHS)
 - . Nickel (RoHS)
 - . Olive drab cadmium
 - Passivated stainless steel (RoHS)
- **Insulator:** Thermoplastic
- **Contact body:** Copper alloy
- **Contacts plating:** Gold over nickel plated
- **Shell endurance:**
 - Aluminum:
 - 500 mating/unmating cycles
 - Passivated stainless steel:
 - 1000 mating/unmating cycles
- **Vibration:**
 - 44 grms @ 125°C, 2 axes during 8 hours
- **Shock:**
 - 300g, 3 ms

Electrical

- **Wire size**

Layout	Wire (AWG)
03-05	24-30
03-35	22-28
05-06	24-30
05-35	22-28
07-09	24-30
07-35	22-28
- **Test voltage (at sea level):**
 - Size 22D: 1000 Vrms
 - Size 26: 400 Vrms
- **Contact resistance:**
 - Size 22D: <14.6 mΩ
 - Size 26: <16 mΩ
- **Contact rating:**
 - Size 22D: 5A
 - Size 26: 3A
- **Contact retention:**
 - Size 22D: 45N
 - Size 26: 30N
- **Shell to shell continuity**

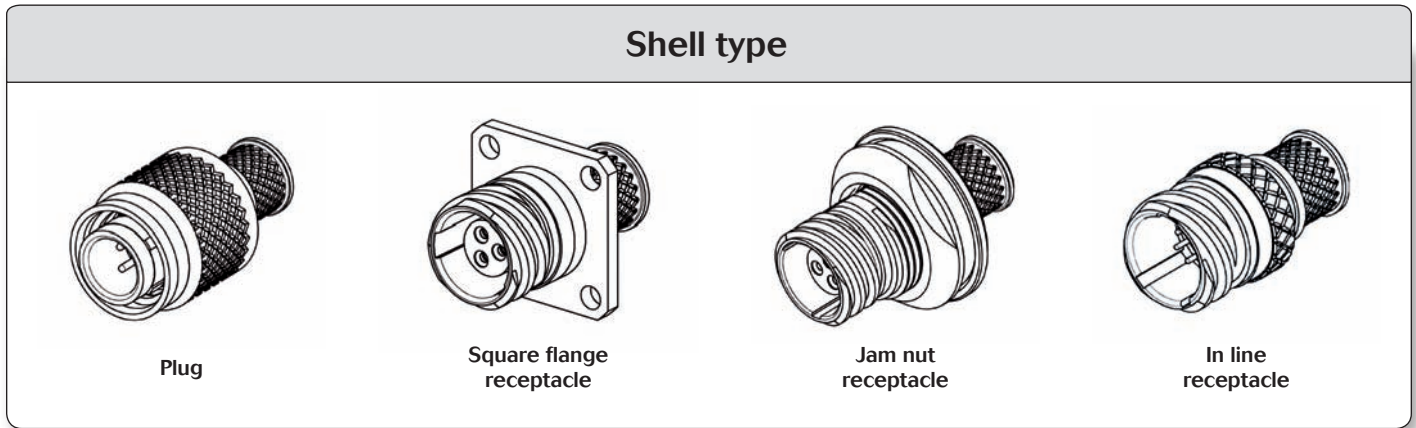
Shell size	Aluminum version	Stainless steel version
3	< 10 mΩ	< 60 mΩ
5		
7		
- **EMI:**
 - Aluminum: -70dB @ 1GHz
 - Passivated stainless steel: -55 dB @ 1Ghz

Environmental

- **Temperature range:**
 - 55°C to +175°C
- **Water immersion:**
 - IP 67 on mated connector
 - 1 meter for 30 min minimum
 - > IP68 with appropriate cable termination
- **Salt spray:**
 - Zinc nickel: 500 hours
 - Nickel: 48 hours
 - Olive drab cadmium: 500 hours
 - Passivated stainless steel: 500 hours

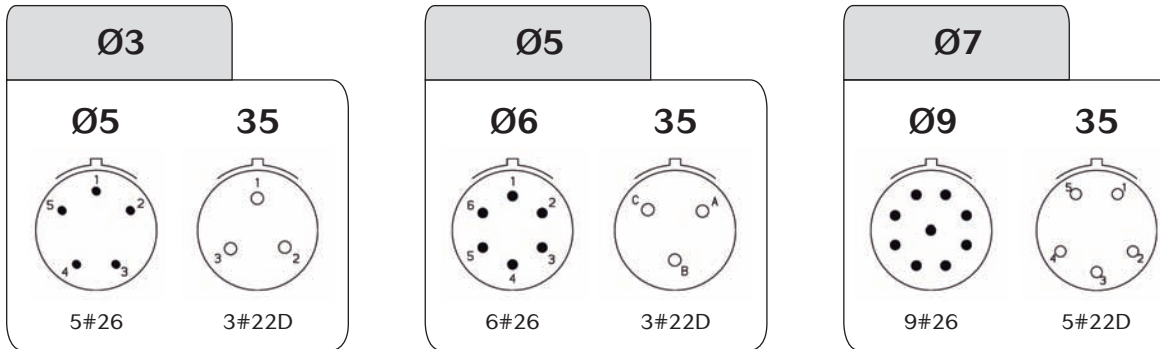
Resistance to fluids

- **According to MIL-DTL-38999 standard**
 - Gasoline: JP5 (OTAN F44)
 - Mineral hydraulic fluid: MIL-H-5606 (OTAN H515)
 - Synthetic hydraulic fluid: Skydrol 500 B4
- **Compatible with de-icing fluids containing potassium acetate**



For other configuration (PC tail, specific jam nut, ...) please consult us.

Contact layouts



Ordering information

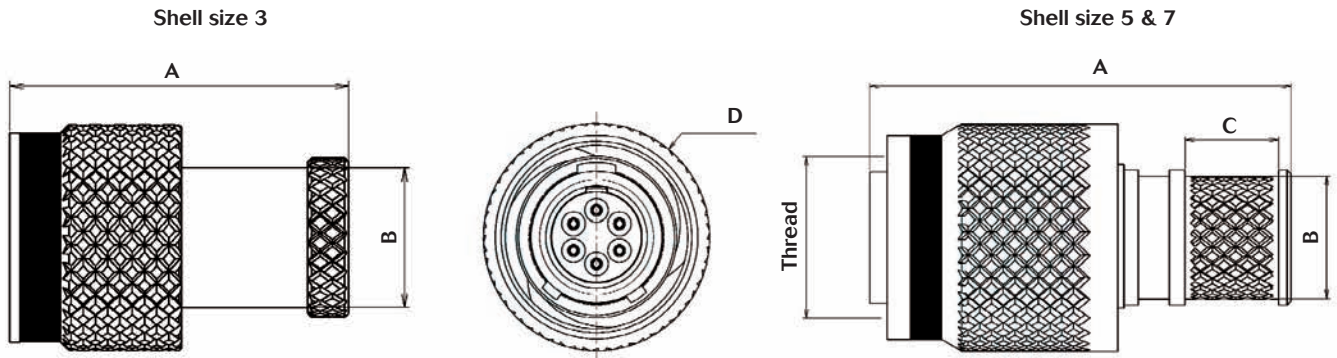
Basic Series	8DA	Ø	Ø3	W	Ø5	P	N
Shell type:							
Ø: Square flange receptacle							
1: In line receptacle							
5: Plug with EMI ring (Size 5 & size 7)							
6: Plug without EMI ring (Size 3 only)							
7: Jam nut receptacle							
Shell size: Ø3 - Ø5 - Ø7							
Plating :							
Z: Black zinc nickel							
F: Nickel							
W: Olive drab cadmium							
K: Passivated stainless steel (except for size 3)							
Contact layouts: See above							
Contact type:							
P: Pin (Shell size 3 scoop proof only when pin contacts mounted in Type 6)							
S: Socket (Shell size 3 scoop proof only when socket contacts mounted in Type 1 & Type 7)							
Orientation:							
N, A, B, C, D, E							

Note: Ø = Zero



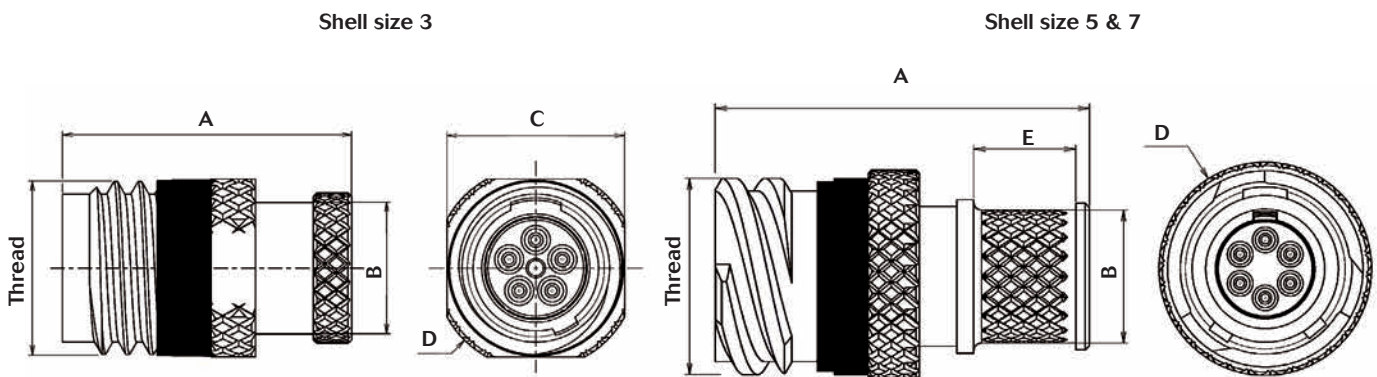
Dimensions

Plug - Shell type 5 & 6



Shell size	Thread	A Max	Ø B Max	C Max	Ø D Max
3	3-05	-	7	-	11.5
	3-35	-	7	-	11.5
5	5/11"-1P	28	8	6.1	15
7	1/2"-1P	28	9.5	6.1	16

In line receptacle - Shell type 1

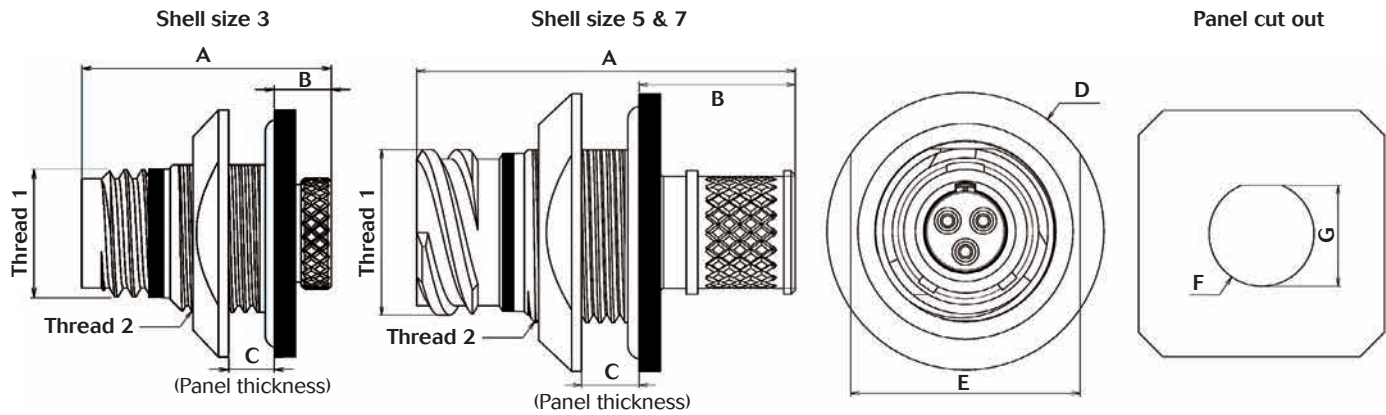


Shell size	Thread	A Max	B Max	C Max	Ø D Max	E Max
3	M9	15.5	7	9.3	11	-
5	5/11"-1P	23	8	-	13	6.1
7	1/2"-1P	25	9.5	-	13.5	6.1

Note: All dimensions are in mm.

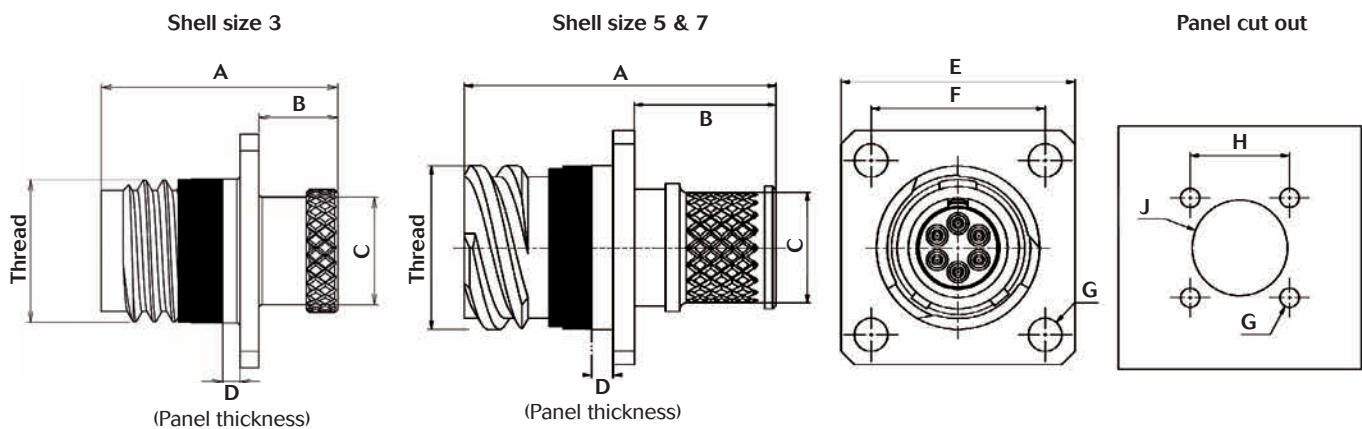


Jam nut receptacle - Shell type 7



Shell size	Thread 1	Thread 2	A Max	B Max	C Max	Ø D Max	E Max	Ø F Max	G Max	
3	3-05	M9	7/16"28 UNEF 2A	18	4.5	3.2	18	14	11.3	10.6
	3-35	M9	7/16"28 UNEF 2A	20	4.5	3.2	17.5	14	11.3	10.6
5	5/11"-1P	1/2"28 UNEF 2A	27	11	3.2	19.5	16	12.8	12.3	
7	1/2"-1P	9/16"24 UNEF 2A	27	11.5	3.2	20.8	17	14.5	13.8	

Square flange receptacle - Shell type 0



Shell size	Thread	A Max	B Max	Ø C Max	D Max	E Max	F Max	Ø G Max	H Max	Ø J Max
3	M9	15	5	6.8	2.5	15	10.5	2.35 \pm 0.08	10.5	9.5
5	5/11"-1P	23	10.5	8	2.5	16.6	12.27	2.35 \pm 0.08	12.27	11.75
7	1/2"-1P	25	13	10	2.5	18	13.84	2.35 \pm 0.08	13.8	12.95

Note: All dimensions are in mm.



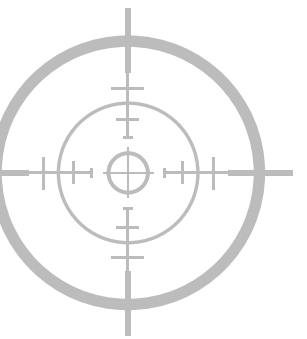
Connector weights

Weight				
Aluminum version (in gram $\pm 10\%$)				
Shell size & layout	Plug		Square flange receptacle	
	Without contacts	With contacts	Without contacts	With contacts
3-05	1.7	1.8	1.9	2.1
5-06	2.8	3	5.4	5.8
7-09	3.6	3.9	6	6.5

Orientations

Orientation - All shell types							
<p>Shell size 3</p>				<p>Shell size 5 & 7</p>			
Shell size	Angles	N	A	B	C	D	E
3	X°	153	51	102	204	255	306
5 & 7	Y°	145	130	110	155	90	90
	Z°	75	120	120	115	115	180

number 38999



8BA - Break Away

■ Technical features	22
■ Contact layout	23
■ Ordering information	23
■ Dimensions:	
Plug - Shell type 6	24
In line receptacle - Shell type 1	24
Jam nut receptacle - Shell type 7	25
■ Connector weights	26
■ Orientations	26

micr⁺38999

8BA - Break Away



Description

- **A compact solution**
 - The smallest connector available on the market (shell size 3)
 - Break away: quick disconnect
 - Integrated backshell:
 - . Easy to wire and handle
 - . Compatible with heat shrink boot and braid retention band
 - . Compliant with overmolding
- **A versatile solution**
 - 3 shells sizes: 3, 5, 7
 - Plug; In line and jam nut receptacle
 - 2 materials, 3 platings
 - Crimp & PC tails (on request)
 - Removable contacts #22D & #26
 - 6 keyings
- **Harsh environment-resistant solution**
 - Scoop Proof (when sockets mounted into receptacle only)
 - Cavity to cavity sealed with interfacial seal and grommet
 - Fluid resistant

Technical Features

Mechanical

- **Shell:**
 - Aluminum alloy
 - Passivated stainless steel (for size 5 & 7)
- **Shell plating:**
 - Aluminum:
 - . Zinc nickel (RoHS)
 - . Nickel (RoHS)
 - . Olive drab cadmium
 - Passivated stainless steel (RoHS)
- **Insulator:** Thermoplastic
- **Contact body:** Copper alloy
- **Contacts plating:** Gold over nickel plated
- **Shell endurance:**
 - Aluminum:
 - 500 mating/unmating cycles
 - Passivated stainless steel:
 - 1000 mating/unmating cycles
- **Vibration:**
 - 30 grms ambient, 2 axes during 8 hours
- **Shock:**
 - 300g, 3 ms

Electrical

- **Wire size**

Layout	Wire (AWG)
03-05	24-30
03-35	22-28
05-06	24-30
05-35	22-28
07-09	24-30
07-35	22-28
- **Test voltage (at sea level):**
 - Size 22D: 1000 Vrms
 - Size 26: 400 Vrms
- **Contact resistance:**
 - Size 22D: <14.6 mΩ
 - Size 26: <16 mΩ
- **Contact rating:**
 - Size 22D: 5A
 - Size 26: 3A
- **Contact retention:**
 - Size 22D: 45N
 - Size 26: 30N
- **Shell to shell continuity**

Shell size	Aluminum version	Stainless steel version
03	< 10 mΩ	< 60 mΩ
05		
07		
- **EMI:**
 - Aluminum: -70dB @ 1GHz
 - Passivated stainless steel: -55 dB @ 1Ghz

Environmental

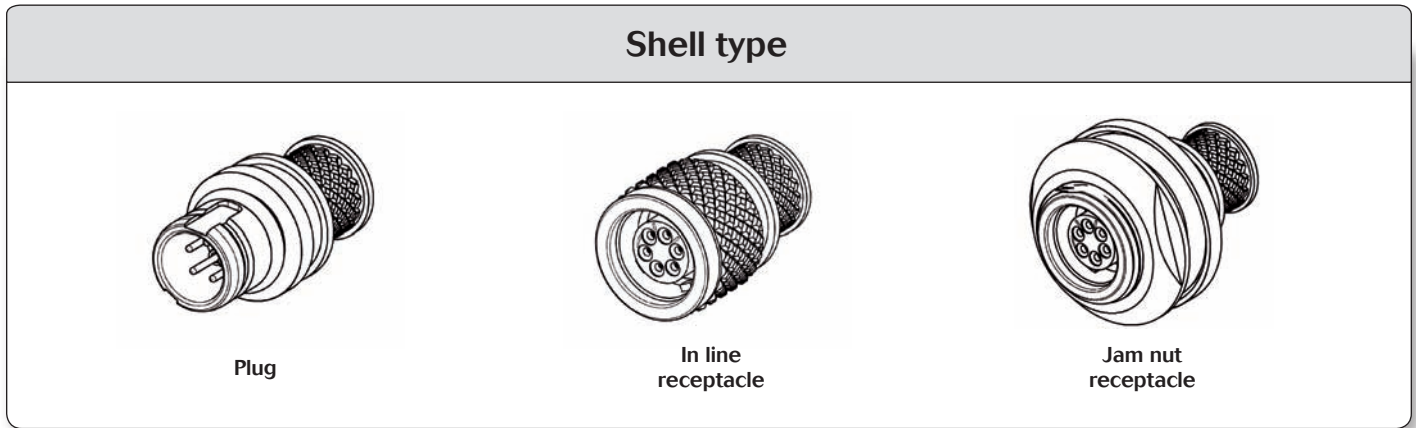
- **Temperature range:**
 - 55°C to +175°C
- **Water immersion:**
 - IP 67 on mated connector
 - 1 meter for 30 min minimum
 - > IP68 with appropriate cable termination
- **Salt spray:**
 - Zinc nickel: 500 hours
 - Nickel: 48 hours
 - Olive drab cadmium: 500 hours
 - Passivated stainless steel: 500 hours

Resistance to fluids

- **According to MIL-DTL-38999 standard**
 - Gasoline: JP5 (OTAN F44)
 - Mineral hydraulic fluid: MIL-H-5606 (OTAN H515)
 - Synthetic hydraulic fluid: Skydrol 500 B4
- **Compatible with de-icing fluids containing potassium acetate**

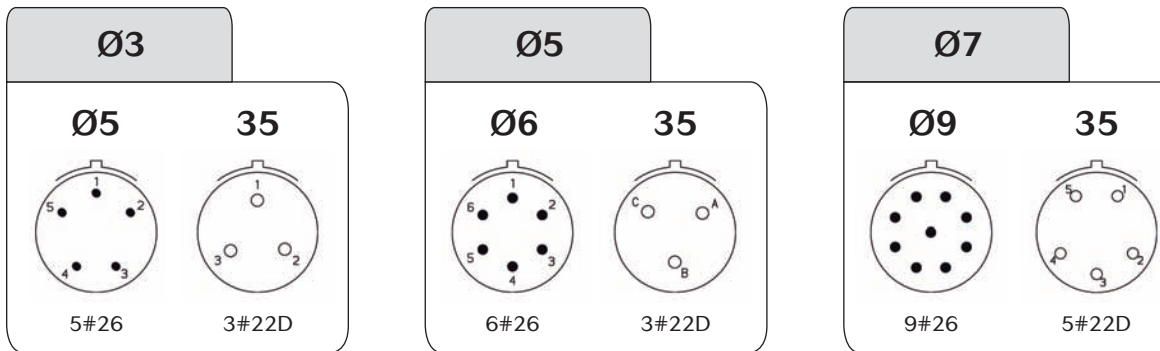
micr⁺38999

8BA - Break Away



For other configuration (PC tail, specific jam nut, ...) please consult us.

Contact layouts



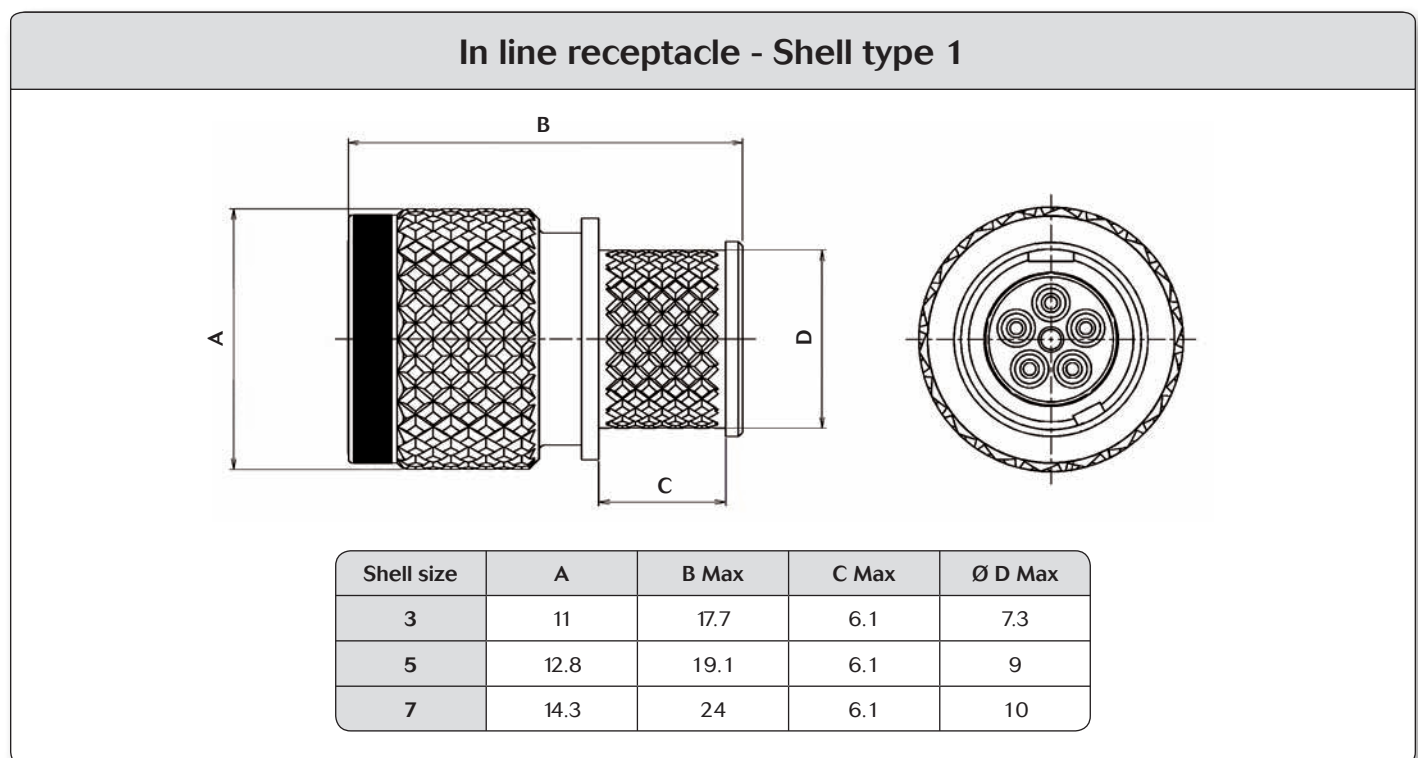
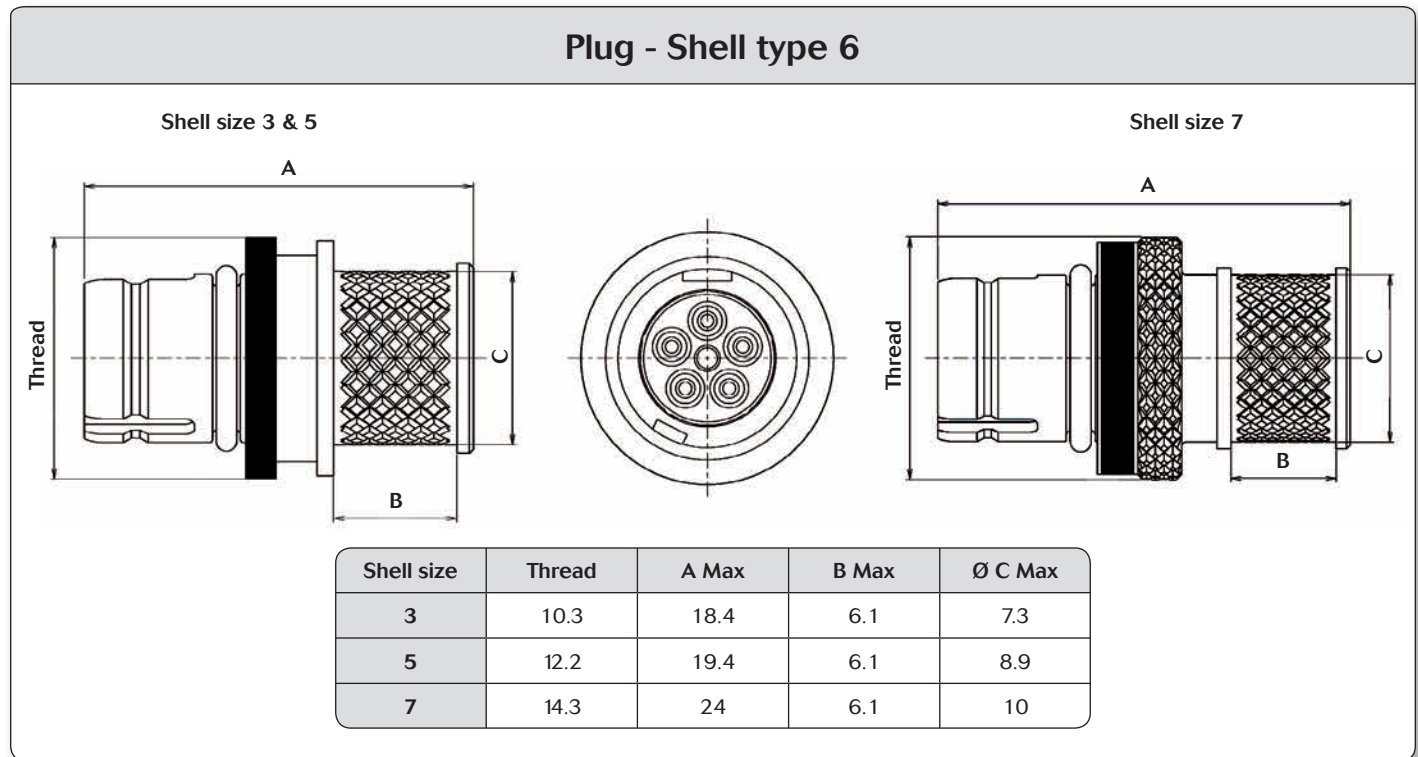
Ordering information

Basic Series	8BA	1	Ø3	W	Ø5	P	N
Shell type:							
1: In line receptacle							
6: Plug							
7: Jam nut receptacle							
Shell size: Ø3 - Ø5 - Ø7							
Plating :							
Z: Black zinc nickel							
F: Nickel							
W: Olive drab cadmium							
K: Passivated stainless steel (except for size 3)							
Contact layouts: See above							
Contact type:							
P: Pin							
S: Socket (Scoop proof only when socket contacts mounted in Type 1 & Type 7)							
Orientation:							
N, A, B, C, D, E							

Note: Ø = Zero



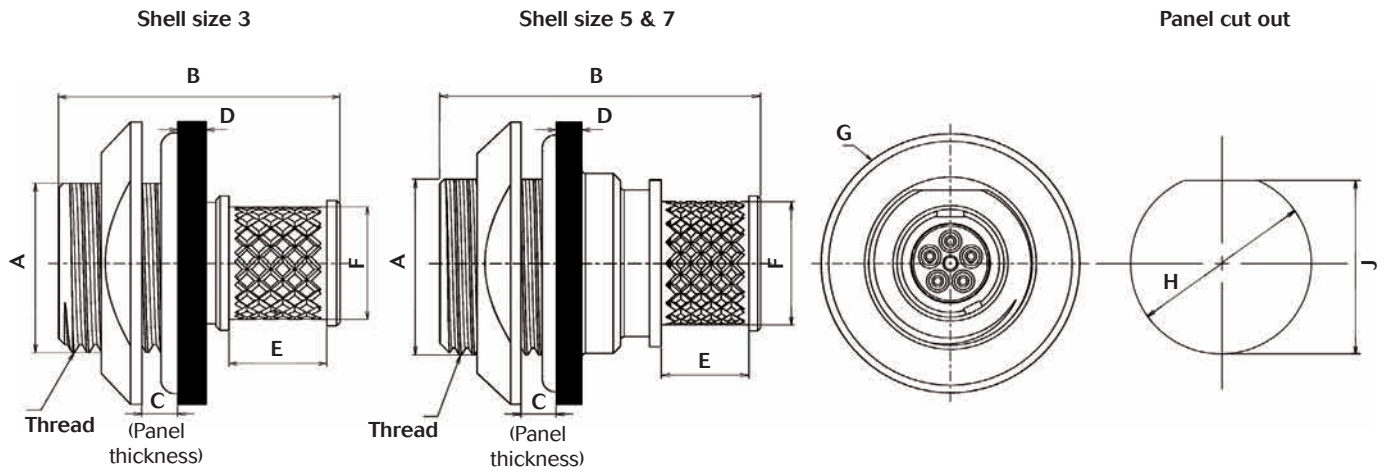
Dimensions



Note: All dimensions are in mm.



Jam nut receptacle - Shell type 7



Shell size	Thread	A Max	B Max	C Max	D	E Max	Ø F Max	Ø G Max	Ø H	J
3	7/16"28 UNEF 2A	10.55	17.7	3.2	1.75 ^{±0.3}	6.1	7.3	17.5	11.3 ^{±0.1}	10.6 ^{±0.05}
5	1/2"28 UNEF 2A	12.2	22.5	3.2	1.75 ^{±0.3}	6.1	8.9	19.5	12.8 ^{±0.1}	12.3 ^{±0.05}
7	9/16"24 UNEF 2A	13.6	24	3.2	1.75 ^{±0.3}	6.1	10	21	14.5 ^{±0.1}	13.8 ^{±0.05}

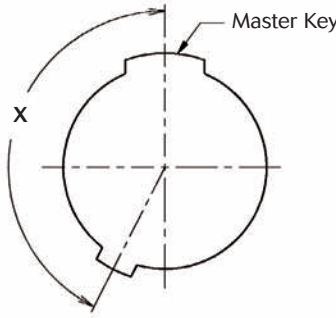
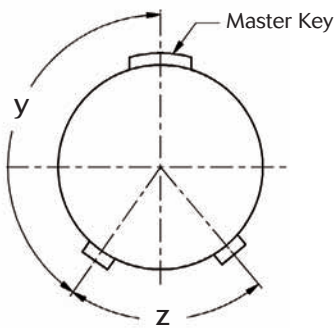
Note: All dimensions are in mm.



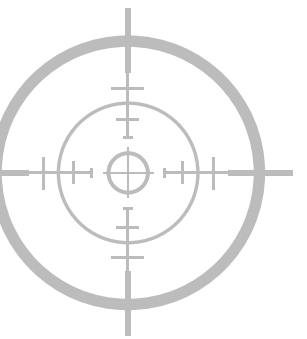
Connector weights

Weight				
Aluminum version (in gram $\pm 10\%$)				
Shell size & layout	Plug		In line receptacle	
	Without contacts	With contacts	Without contacts	With contacts
3-05	1.7	1.8	1.3	1.4
5-06	2.6	2.8	2.9	3.1
7-09	4.3	4.7	4.7	5.1

Orientations

Orientation - All shell types							
<p style="text-align: center;">Shell size 3</p> 				<p style="text-align: center;">Shell size 5 & 7</p> 			
Shell size	Angles	N	A	B	C	D	E
3	X°	153	51	102	204	255	306
5 & 7	Y°	145	130	110	155	90	90
	Z°	75	120	120	115	115	180

number 38999



8LTA - Bayonet Coupling

■ Technical features	30
■ Contact layout	31
■ Ordering information	31
■ Dimensions:	
Plug - Shell type 6	32
In line receptacle - Shell type 1	32
Jam nut receptacle - Shell type 7	33
Square flange receptacle - Shell type 0	33
Oval flange receptacle - Shell type 2	34
■ Connector weights	35
■ Orientations	35



Description

- **A compact solution**
 - The smallest connector available on the market (shell size 3)
 - Miniaturization of MIL-DTL-38999 Series I
 - Quick bayonet locking
 - Integrated backshell:
 - . Easy to wire and handle
 - . Compatible with heat shrink boot and braid retention band
 - . Compliant with overmolding
- **A versatile solution**
 - 3 shells sizes: 3, 5, 7
 - Plug; In line, square flange, oval flange and jam nut receptacle
 - 3 materials, 3 platings
 - Crimp & PC tails (on request)
 - Removable contacts #22D & #26
 - 6 keyings
- **Harsh environment-resistant solution**
 - Scoop Proof
 - Cavity to cavity sealed with interfacial seal and grommet
 - Fluid resistant



Technical Features

Mechanical

- **Shell:**
 - Aluminum alloy
 - Passivated stainless steel (for size 5 & 7)
- **Shell plating:**
 - Aluminum:
 - . Zinc nickel (RoHS)
 - . Nickel (RoHS)
 - . Olive drab cadmium
 - Passivated stainless steel (RoHS)
 - Composite (size 7)
- **Insulator:** Thermoplastic
- **Contact body:** Copper alloy
- **Contacts plating:** Gold over nickel plated
- **Shell endurance:**
 - Aluminum:
 - 250 mating/unmating cycles
 - Passivated stainless steel:
 - 1000 mating/unmating cycles
- **Vibration:**
 - 30 grms ambient, 2 axes during 8 hours

Electrical

- **Wire size**

Layout	Wire (AWG)
03-05	24-30
03-35	22-28
05-06	24-30
05-35	22-28
07-09	24-30
07-35	22-28
- **Test voltage (at sea level):**
 - Size 22D: 1000 Vrms
 - Size 26: 400 Vrms
- **Contact resistance:**
 - Size 22D: <14.6 mΩ
 - Size 26: <16 mΩ
- **Contact rating:**
 - Size 22D: 5A
 - Size 26: 3A
- **Contact retention:**
 - Size 22D: 45N
 - Size 26: 30N
- **Shell to shell continuity**

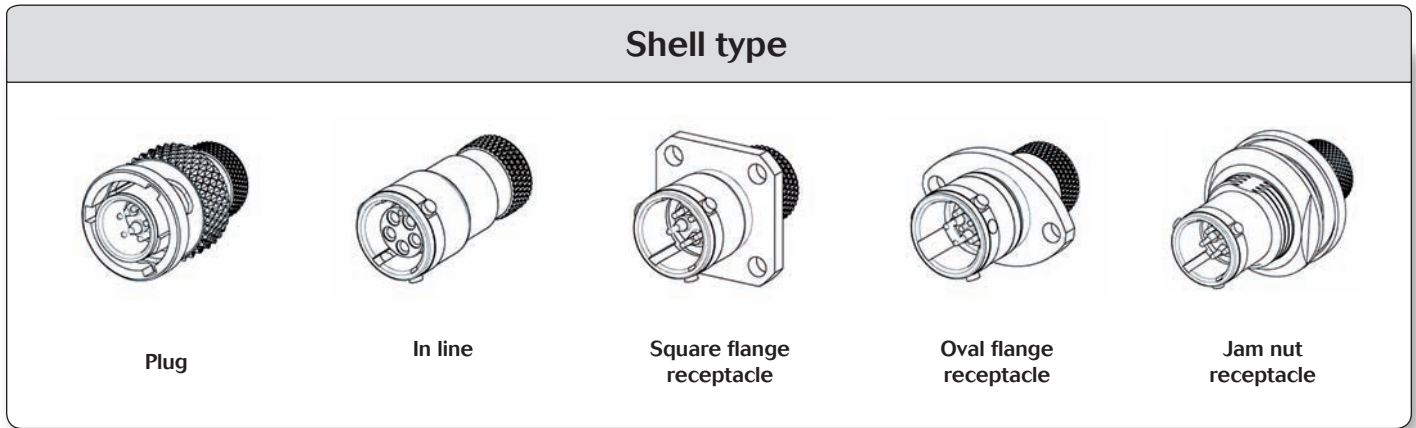
Shell size	All versions
03	< 250 mΩ
05	
07	
- **EMI:**
 - 55dB @ 1GHz

Environmental

- **Temperature range:**
 - 55°C to +175°C
- **Water immersion:**
 - IP 67 on mated connector
 - 1 meter for 30 min minimum
 - > IP68 with appropriate cable termination
- **Salt spray:**
 - Zinc nickel: 500 hours
 - Nickel: 48 hours
 - Olive drab cadmium: 500 hours
 - Passivated stainless steel: 500 hours

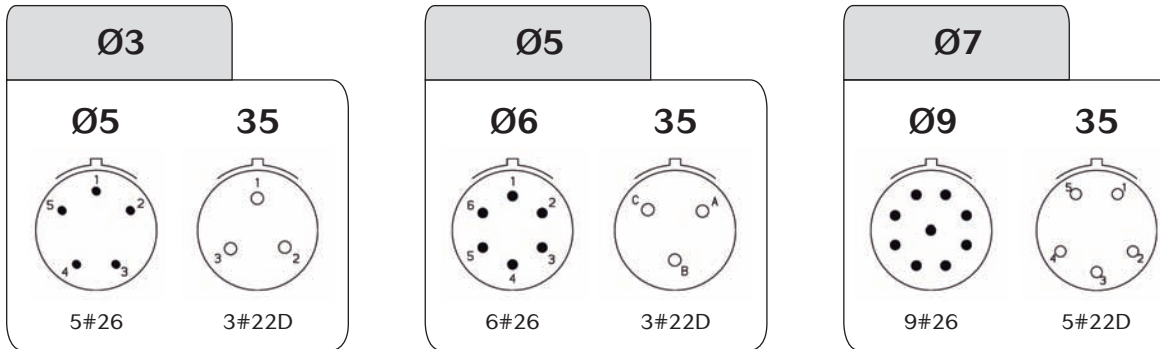
Resistance to fluids

- **According to MIL-DTL-38999 standard**
 - Gasoline: JP5 (OTAN F44)
 - Mineral hydraulic fluid: MIL-H-5606 (OTAN H515)
 - Synthetic hydraulic fluid: Skydrol 500 B4
- **Compatible with de-icing fluids containing potassium acetate**



For other configuration (PC tail, specific jam nut, ...) please consult us.

Contact layouts



Ordering information

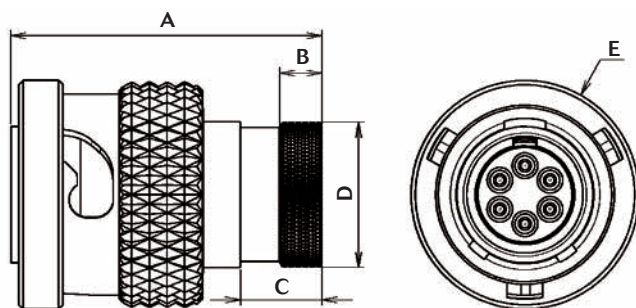
Basic Series	8LTA	Ø	Ø3	W	Ø5	P	N
Shell type:							
Ø: Square flange receptacle							
1: In line receptacle							
2: Oval flange receptacle							
6: Plug without EMI ring							
7: Jam nut receptacle							
Shell size: Ø3 - Ø5 - Ø7							
Plating :							
Z: Black zinc nickel							
F: Nickel							
W: Olive drab cadmium							
K: Passivated stainless steel (except for size 3)							
Contact layouts: See above							
Contact type:							
P: Pin							
S: Socket							
Orientation:							
N, A, B, C, D, E							

Note: Ø = Zero



Dimensions

Plug - Shell type 6



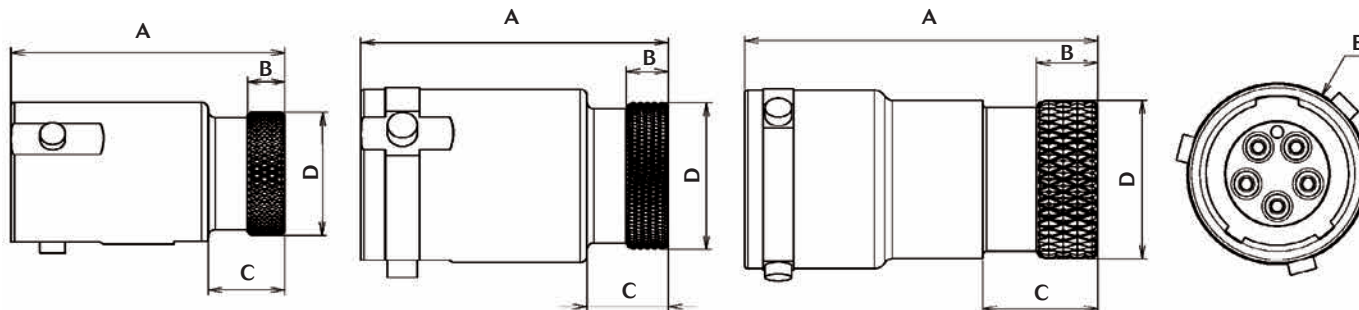
Shell size		A Max	B Max	C Max	Ø D Max	Ø E Max
3	3-05	16.2	2.2 \pm 0.15	4.6	7.2	10.5
	3-35	17.5	2.2 \pm 0.15	5.9	7.2	10.5
05		18.4	2.5 \pm 0.15	4.9	8.55	13.5
07		22.06	3.65 \pm 0.15	6.35	10.3	15.06

In line receptacle - Shell type 1

Shell size 3

Shell size 5

Shell size 7

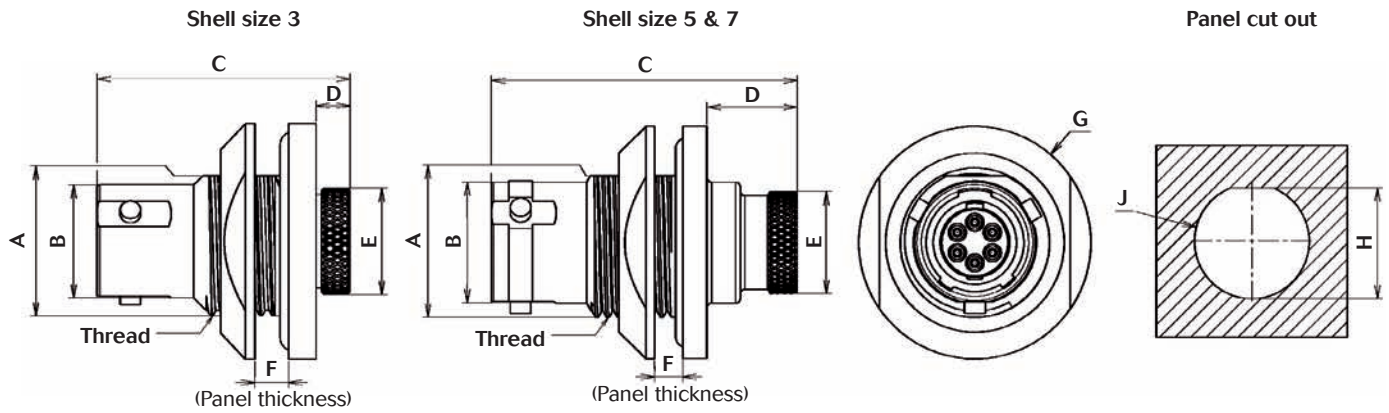


Shell size		A Max	B Max	C Max	Ø D Max	Ø E Max
3	3-05	16.2	2.2 \pm 0.15	4.6	7.2	8.3
	3-35	17.5	2.2 \pm 0.15	5.9	7.2	8.3
5		18.2	2.5 \pm 0.15	4.9	8.55	10.15
7		23.6	4 \pm 0.15	7.5	10.3	11.6

Note: All dimensions are in mm.

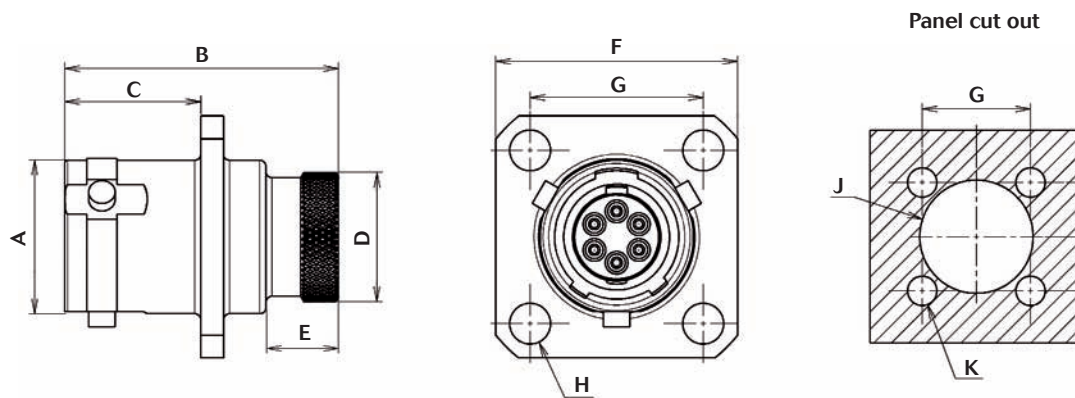


Jam nut receptacle - Shell type 7



Shell size	Thread	A Max	Ø B Max	C Max	D Max	Ø E Max	F Max	Ø G Max	H Max	Ø J Max	
3	3-05	7/16"28 UNEF 2A	10.3	8.3	16.2	2.6	7.8	1 to 3.2	17.3	11.3 \pm 0.1	12 \pm 0.1
	3-35	7/16"28 UNEF 2A	10.3	8.3	17.5	2.6	7.8	1 to 3.2	17.3	11.3 \pm 0.1	12 \pm 0.1
5	1/2"28 UNEF 2A	11.7	10.5	25.9	7.7	8.55	1 to 3.2	19.5	13 \pm 0.1	13.5 \pm 0.1	
7	9/16"24 UNEF 2A	13.4	11.6	33.55	10.4	10.3	1 to 3.2	20.8	14.4 \pm 0.1	15.2 \pm 0.1	

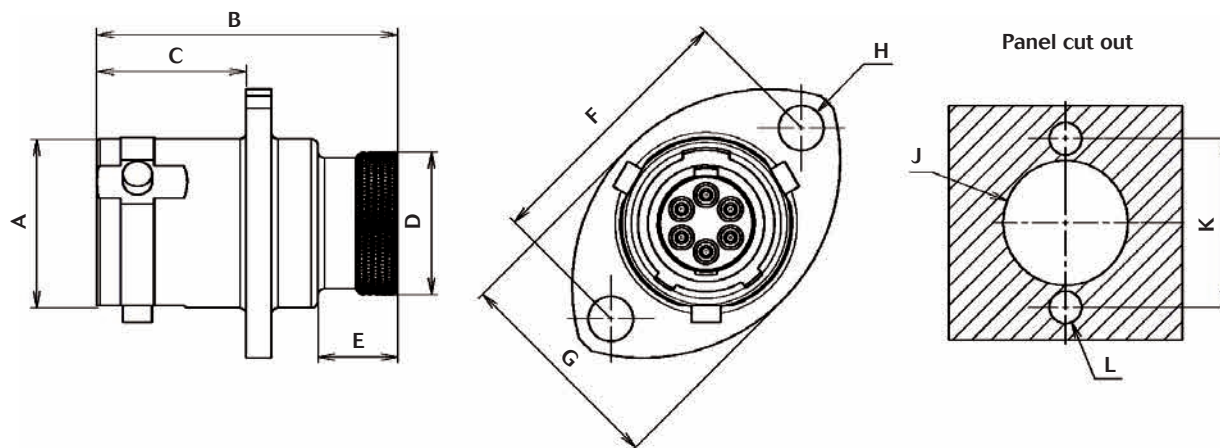
Square flange receptacle - Shell type 0



Shell size	Ø A Max	B Max	C Max	Ø D Max	E Max	F Max	G Max	Ø H Max	Ø J Max	Ø K Max	
3	3-05	8.3	16.2	8.7	7.2	4.6	15.5	10.8	2.7 \pm 0.1	9.3 \pm 0.1	3.1 \pm 0.1
	3-35	8.3	17.5	8.7	7.2	5.9	15.5	10.8	2.7 \pm 0.1	9.3 \pm 0.1	3.1 \pm 0.1
5	10.15	18.2	9.05	8.55	4.9	16	11.45	2.7 \pm 0.1	12 \pm 0.1	3.1 \pm 0.1	
7	11.6	23.06	10.8	10.3	7.5	18	12.7	2.7 \pm 0.1	13 \pm 0.1	3.1 \pm 0.1	



Oval flange receptacle - Shell type 2



Shell size	Ø A Max	B Max	C Max	Ø D Max	E Max	F Max	G Max	Ø H Max	Ø J Max	K Max	Ø L Max	
3	3-05	8.3	16.2	8.7	7.2	4.6	15.3 ^{±0.2}	10.5 ^{±0.1}	2.8	9.3 ^{±0.1}	15.3 ^{±0.2}	3.1 ^{±0.1}
	3-35	8.3	17.5	8.7	7.2	5.9	15.3 ^{±0.2}	10.5 ^{±0.1}	2.8	9.3 ^{±0.1}	15.3 ^{±0.2}	3.1 ^{±0.1}
5	10.15	18.2	9.05	8.55	4.9	16.2 ^{±0.2}	13 ^{±0.1}	2.7	12 ^{±0.1}	16.2 ^{±0.2}	3.1 ^{±0.1}	
7	11.6	23.06	10.8	10.3	7.5	18 ^{±0.2}	14.8 ^{±0.1}	2.7	13 ^{±0.1}	18 ^{±0.2}	3.1 ^{±0.1}	

Note: All dimensions are in mm.



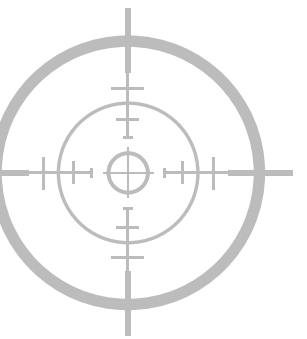
Connector weights

Weight				
Aluminum version (in gram $\pm 10\%$)				
Shell size & layout	Plug		Square flange receptacle	
	Without contacts	With contacts	Without contacts	With contacts
3-05	1.6	1.7	2	2.2
5-35	3	3.3	2.9	3.1
7-35	4.5	4.9	4.2	4.6

Orientations

Orientation - All shell types							
<p>Shell size 3</p>				<p>Shell size 5 & 7</p>			
Shell size	Angles	N	A	B	C	D	E
3	X°	153	51	102	204	255	306
5 & 7	Y°	145	130	110	155	90	90
	Z°	75	120	120	115	115	180

number 38999



Accessories & Tooling

■ Necessary tools for wiring	38
■ Recommended accessories for wiring	39
■ Connector accessories	39



Accessories & Tooling

With the new miniature range, Souriau provides a wide range of accessories in order to offer an integrated solution.

In the following pages, you will find part numbers of necessary tools for micro38999 wiring and also recommended parts for accessories: braid, heat shrink boot, straight or elbow shrink boot and band-it.

Souriau also provides additional accessories for micro38999 connectors: caps and gaskets.

Necessary tools for wiring

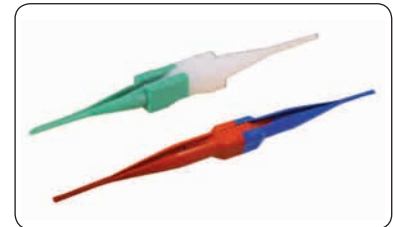
Crimping tools

Contact size	Contact type	Crimp tool M2252Ø/2-Ø1	
		Locator Part number (Note: Ø = Zero)	
		Standard	Souriau
#22D	Pin	M2252Ø 2-Ø9	8476-Ø9
	Socket	M2252Ø/2-Ø6	8476-Ø6
#26	Pin	-	64Ø-Ø88
	Socket	-	64Ø-Ø89



Insertion & extraction tools

Contact size	Material	Part number (Note: Ø = Zero)	Insertion / extraction tools	
			Insertion	Extraction
#22D	Plastic	M81969/14-Ø1	Green	White
#26	Plastic	8599Ø443	Red	Blue



Crimp contacts and recommended cables

Contact size	Contact type	Part number (Note: Ø = Zero)	Contact Ø	Conductor section				External Ø over insulator		Recommended cable
				AWG		mm ²		Min	Max	
				Min	Max	Min	Max			
#22D	Pin	8599-ØØ82	0.76	28	22	0.095	0.38	0.71	1.37	MIL-DTL-22759/33
	Socket	8599-ØØ83								
#26	Pin	8599-ØØ8Ø	0.5	30	24	0.095	0.24	0.6	0.83	MIL-DTL-22759/33
	Socket	8599-ØØ81								

Band-it tool

Designation	Recommended supplier: «Band-it» Part number (Note: Ø = Zero)
Micro banding tool	A3Ø199

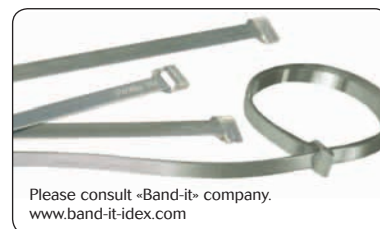
Please consult «Band-it» company.
www.band-it-idex.com





Recommended accessories for wiring

Accessory type	Connector shell size	Part number (Note: Ø = Zero)	Recommended supplier	Recommended distributor
Braid	3	244-5168	Raychem	RS
	5 / 7	244-5174		
	7	244-518Ø		
Heat shrink*	3 / 5	17Ø-6412	Raychem	RS
	7	17Ø-6428		
Straight heat shrink boot*	3	2Ø3W3Ø1-25-GØ3-Ø	Raychem	RS
	5	2Ø2A111		
	7	2Ø2A121		
Elbow heat shrink boot*	3	224W221-25-GØ3-Ø	Raychem	RS
	5	222A111		
	7	222A121		



Accessory type	Connector shell size	Recommended supplier: «Band-it» Part number
Micro band-it	3 / 5 / 7	A31188 (individually coiled) A31189

*Operating temperature: -55°C to +135°C

Connector accessories

Gaskets

Shell size	Part number (Note: Ø = Zero)	
	Gasket for square receptacle	Gasket for oval receptacle
3	Please consult us	8STA-GØ2
5		8STA-GØ4
7		8STA-GØ6



Caps

Shell size	Part number		
	8DA	8BA	8LTA
3	Please consult us	Please consult us	Please consult us
5			
7			

Customer Coverage through Worldwide Sales Network

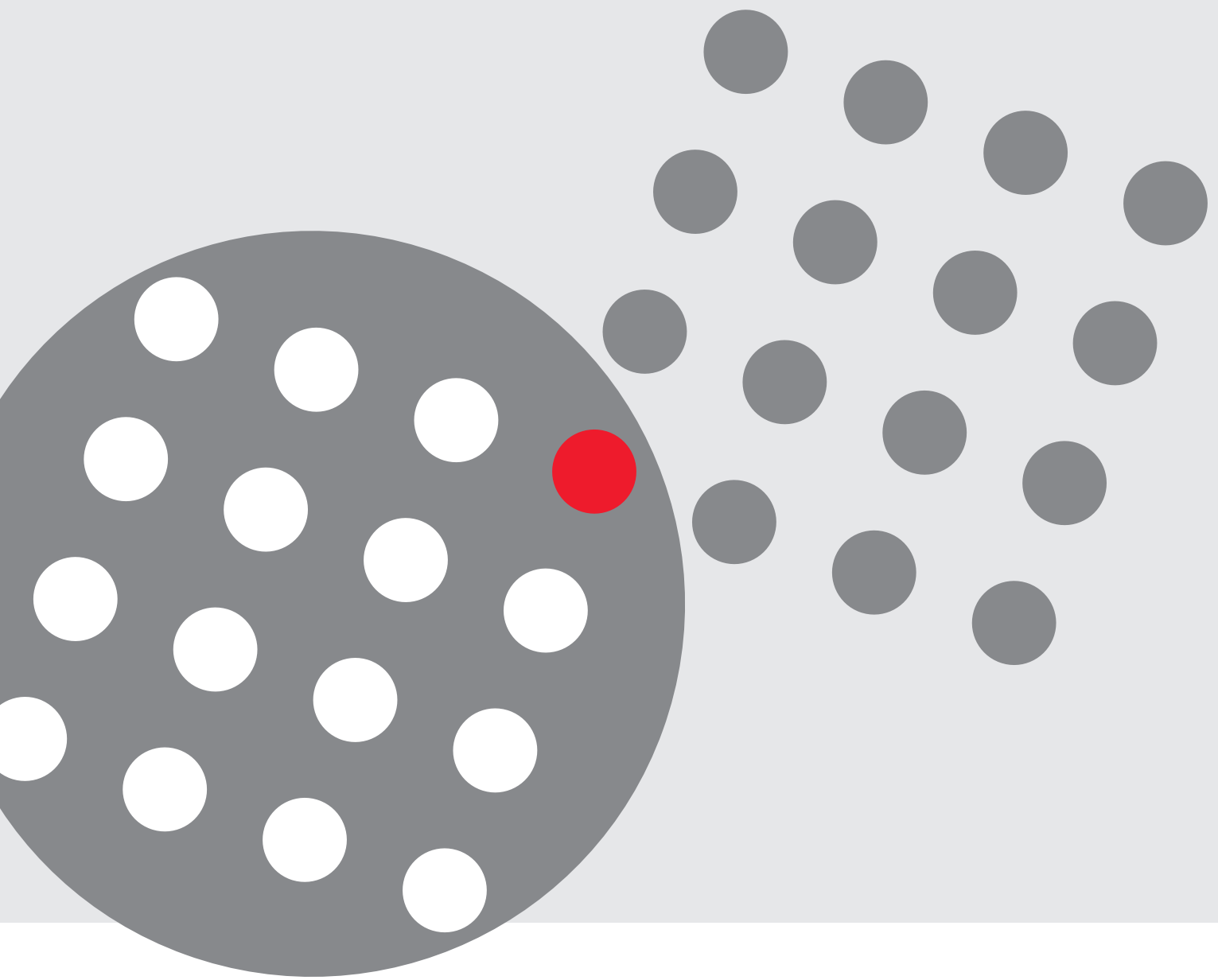
SOURIAU is recognized as one of the top international manufacturers of connectors for harsh environment and is continuously strengthening its leading position through its solid structure as an international group. Today the SOURIAU group has a strong global presence and operates 24 facilities (10 production sites and 14 offices) on 4 continents:

- 15 in Europe,
- 4 in Americas,
- 4 in Asia
- 1 in Africa.

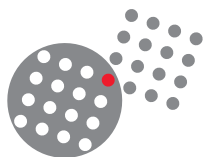
Our international presence is reinforced by 23 franchised and value added distributors in 14 countries.

We also rely upon an extensive network of distributors and resellers worldwide. This coverage, together with a strong commitment towards service, ensures rapid responses to the specific needs of our customers.





www.souriau.com
www.micro38999.com
contactmilaero@souriau.com



SOURIAU
Connection Technology