

TREQ®-M4x

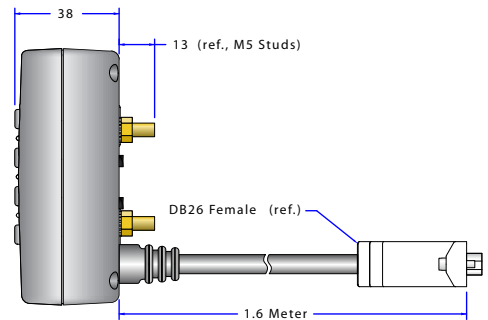
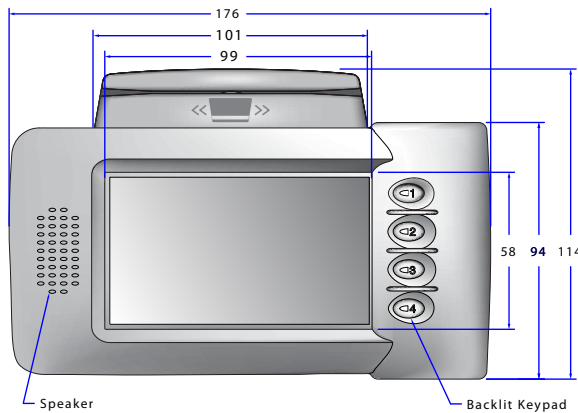
The Wireless and Compact Mobile Data Terminal

The TREQ®-M4x is loaded with the features vehicle system integrators need for wireless communication and control. The rugged design and compact housing make the TREQ-M4x ideal for vehicle applications. The TREQ-M4x meets the hardware requirements of USDOT FMCSA Rule 395.16 for Electronic On-Board Recorders (EOBR).

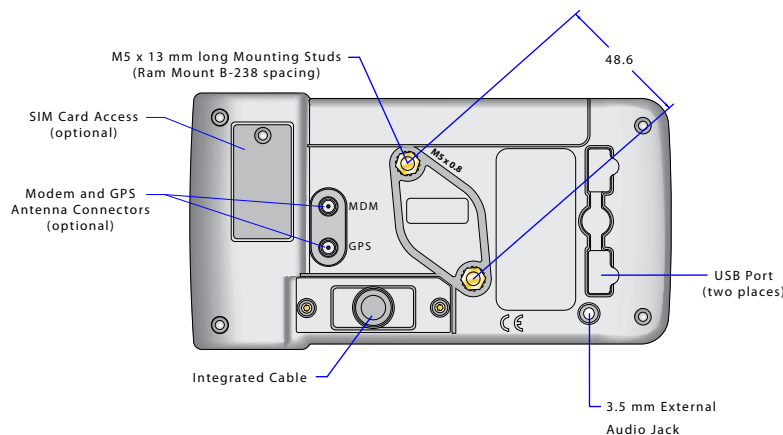


Product Highlights

- ▶ 480 x 272 TFT color WQVGA LCD with touch screen, 600 nit brightness, 4.3" (109 mm) diagonal
- ▶ Integrated quad-band GSM/GPRS modem and GPS receiver
- ▶ 10/100Base-T wired Ethernet, EIA-232, EIA-232/422, J1708/J1939 (CANbus), three USB 2.0 full-speed host ports
- ▶ 6 - 32 VDC input range, SAE J1455 compliant
- ▶ Bluetooth, magnetic card reader and customizable logo / keypad (optional)



Dimensions shown in mm.



TREQ-M4x Specifications

| Feature | Detail | Description |
|----------------|------------------------------|--|
| Display | Type | 480 x 272 WQVGA , TFT color LCD |
| | Size | 4.3" (109 mm) diagonal |
| | Lighting | White LED |
| | Brightness | 600 nits |
| Touch Screen | Type | Analog-resistive |
| Keypad | Number of keys | Four (independently programmable) |
| | Construction | Laser etched elastomeric with tactile feedback with green LED lighting |
| Interface | Ethernet | 10/100Base-T wired Ethernet |
| | Serial | Two ports: EIA-232, EIA-232/422 software configurable |
| | USB | Two 2.0 full speed host ports, third 2.0 full speed port in cable |
| | Bluetooth® (optional) | One class 2, v2.0 compliant |
| | Supported Bluetooth Profiles | GAP, GOEP, SPP, DUN, FTP, HID, HFP, HSP, HID, LAP, OPP, PAN |
| | Vehicle | J1708/J1939 (CANbus) interface |
| | Cellular | Quad-band GSM/GPRS modem w/ SIM slot |
| | GPS | Integrated GPS receiver |
| Processor | Type | Marvell® XScale™ PXA300, 624 MHz (ARM) |
| Memory | RAM | 256 MB SDRAM |
| | Flash | 4 GB |
| Realtime Clock | Standard | Battery-backed, 1 second resolution |
| Audio | Type | Speaker: 8 Ohms, 78 dB nominal at 1 m, 1 W input power |
| | Audio decoder | Supports .wav, .mp3 and other formats |
| | Other | External speaker jack: 3.5 mm Tip Ring Sleep (TRS) jack, mono output |
| Power | Input | 6 to 32 VDC |
| | Consumption | 3-5 Watts (400 mA @ 12 VDC) |
| | Other | SAE J1455 compliant |
| Mechanical | Type | Pedestal mount with 48.6 mm (mini RAM mount) |
| | Size | 167x90x37 mm |
| | Mass | 460g |
| | Housing Material | Blended polycarbonate and polyester resin |

| | | |
|----------------|-------------|--|
| Environmental | Temperature | Operating: -20 to 70 °C; Storage: -40 to 85 °C |
| | Humidity | 0 to 95%, non-condensing |
| | Vibration | 10 to 1500 Hz, 4 g, 0.5 octave/minute |
| | Shock | 40 g, 11 ms, any axis |
| Certifications | CE | EN60950-1, EN55022, EN55024 |
| | EMC | FCC Part 15, Class A |
| | RoHS | Compliant |
| | PTCRB | Certified: AT&T®, T-Mobile® |

| | | |
|----------|------------------|--|
| Software | Operating system | Windows® Embedded CE 6.0 R3 Core or Professional |
| Other | Optional | Magentic Card Reader (3 tracks) available |



US Office

Beijer Electronics, Inc.
2212 South West Temple #50
Salt Lake City, Utah 84115-2648 USA

www.BeijerElectronicsInc.com / 801-466-8770

Headquarters

Beijer Electronics Products AB
P.O. Box 426
201 24 Malmö, Sweden

www.BeijerElectronics.com / +46 40 35 86 00

M01-047-00 REV 04

4 MARCH 2011

Copyright © 2011 Beijer Electronics. All rights reserved.

The information at hand is provided as available at the time of printing. Beijer Electronics reserves the right to change any information without updating this publication. Beijer Electronics does not assume any responsibility for any errors or omissions in this publication.