

# QTERM-G72

Widescreen, High Resolution  
7" Human Machine Interface



- 800 x 480 pixel WVGA, 177 mm (7") diagonal, color, LED lighted TFT-LCD display
- 4-wire resistive touch screen
- Two serial ports. EIA-232C and EIA-232C/422/485 Software-selectable multiprotocol
- USB 2.0 full-speed port for USB memory stick
- 10/100Base-T Ethernet
- NEMA-4X and IP66 sealing for harsh environments
- Powerful Qlarity® 2 object-based programming for easy application development
- -20 to 70 °C operating temperature; consumes 8 W @ 24 VDC
- Real-time clock
- Programmable speaker and .wav audio decoder
- CE Certified and UL Listed
- Customizable front bezel logo (optional)

## QTERM-G72

The QTERM®-G72 HMI terminal features a vivid 800 x 480 WVGA, 177 mm (7") LED lighted, color graphics TFT-LCD display. User input occurs through the resistive touch screen. With the included Ethernet 10/100Base-T interface and two serial ports, this terminal is ready to connect to nearly any device. The QTERM-G72 accommodates the same panel cutout as our QTERM-G70 terminal.

Industrially hardened to operate in many environmental conditions, the QTERM-G72 meets NEMA-4X specifications for hose-down, icing and salt spray when mounted properly.

The QTERM-G72 comes loaded with our Qlarity® 2 runtime environment at no additional charge. Qlarity allows for fast screen design and easy integration with your hardware. Programming can be started immediately by downloading Qlarity Foundry® from our website.

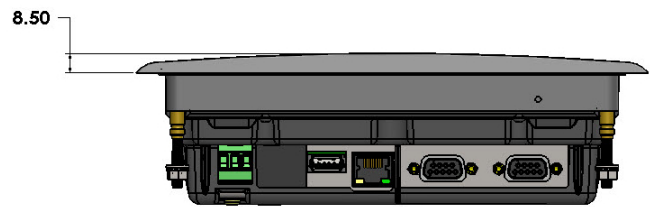
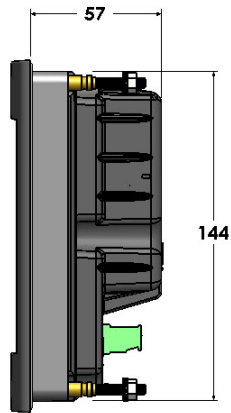
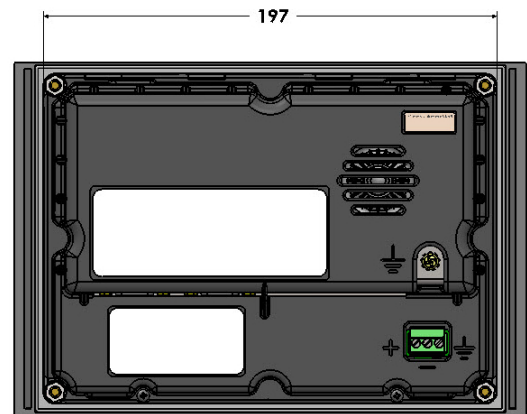
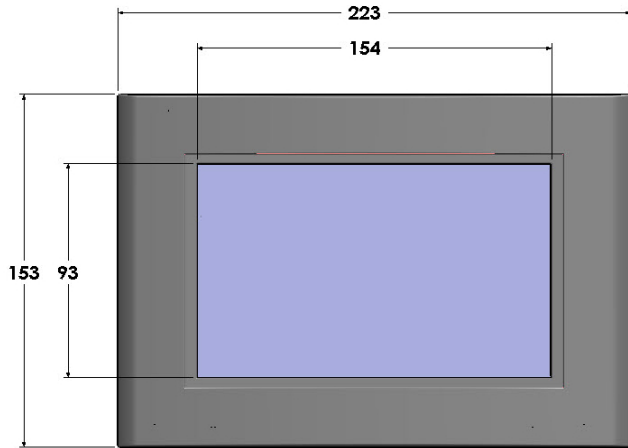
QSI has brought its design and manufacturing expertise to customers worldwide since 1983. QSI Corporation is located at 2212 South West Temple #50, Salt Lake City, Utah 84115.

## QTERM-G72 Specifications

Feature	Detail	Description
Display	Type	TFT-LCD 64K colors (Qlarity® 2 limits colors to 256 at a time)
	Pixels	800 x 480 WVGA
	Size	177 mm (7") diagonal
	Pitch	0.19 mm x 0.19 mm
	Lighting	LED
Touch Screen	Type	4-Wire analog-resistive
	Life	> 1 million finger touch operations
Interfaces	Serial port EIA-232C	DB9f
	Serial port EIA-232C/422/485	DB9f, Software-selectable Multiprotocol
	Ethernet	10/100Base-T, RJ-45
	USB	USB 2.0 Full-Speed port for USB memory stick
Processor	Type	Atmel ARM-9 196 MHz processor
Memory	RAM	32 MB
	NOR Flash	4 MB - OS
Realtime Clock	Standard	Battery-backed, 1 second resolution
Audio	Speaker	8 Ohms 0.7 W
Mechanical	Housing Material	Polymer
	Size	224 (W) x 154 (H) x 60 (D) mm
	Mass	1 kg
Environmental	Sealing - Front Panel	IP66, NEMA-4X
	Operating Temperature	-20 to 70 °C
	Storage Temperature	-30 to 85 °C
	Humidity	5 to 95%, non-condensing
	Vibration	4 g 10-1500 Hz
Certifications	UL	UL Listed
	CE	EN-55022, EN-55024 and EN-60950
	EMC	FCC Part 15
Power	Input Voltage	10 to 32 VDC
	Consumption	8 Watts @ 24 VDC
	PoE	Optional
Software	Development Environment	Qlarity® Foundry
	Runtime Environment	Qlarity® 2

© 2010 QSI Corporation. QSI reserves the right to modify this document and/or the product(s) it describes without notice. In no event shall QSI be liable for incidental or consequential damages, or for the infringement of any patent rights or third party rights, due to the use of its products.

## QTERM-G72 Dimensions (mm)



## Mounting Ring Dimensions (mm)

