

Single Rail LCD Console

Quick Installation Guide

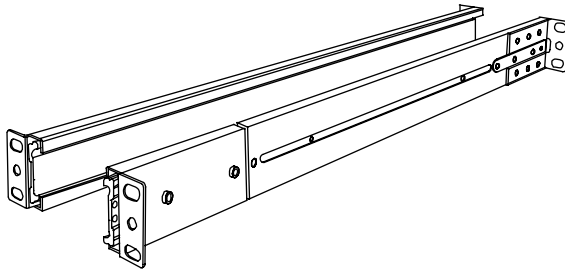
Rev 1.0

Notes

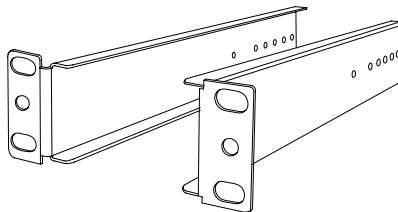
1. Please check all peripherals according the list before installation. To make sure that the whole unit was not damaged and lost during shipping process. If you encounter any problem, please contact your dealer.
2. Before installation, make sure all peripherals and computer have been turned off.
3. The standard brackets are for 504~1000mm (distance means front bracket to rear bracket) cabinet, contact your dealer if you need more longer rear brackets.

Hardware Kits Contents

1. Rail with front and rear bracket x 2. (Please identify the brackets. Right and left sides are different. For rack depth 504 ~ 828 mm)



2. Long bracket x 2. (Needed for rack depth 828 ~ 1000mm)



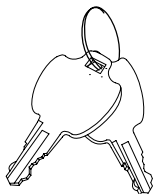
3. Flat screw x 6 (for rail mount to console body)



4. Screw x 6

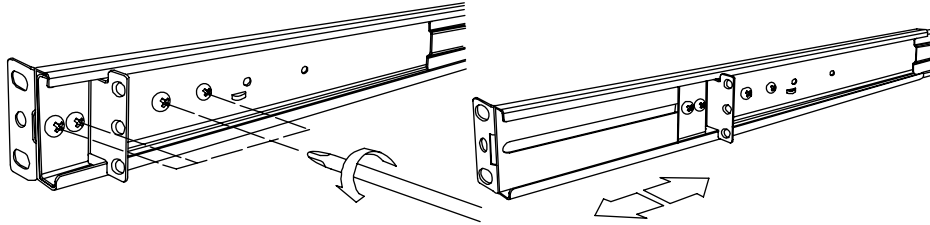


5. Key x 2

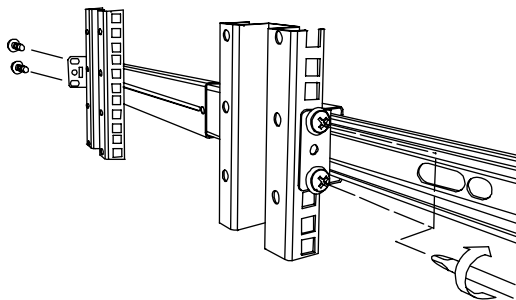


Installation Step

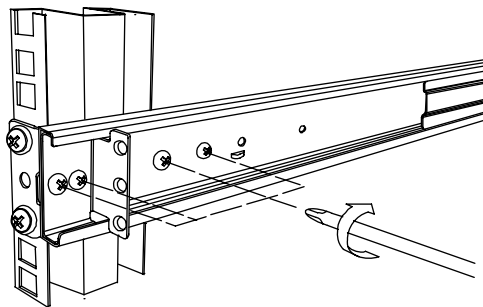
1. Loose (Not release) four rear screws then adjust rear bracket to fit your cabinet.



2. Install front and rear bracket on cabinet.

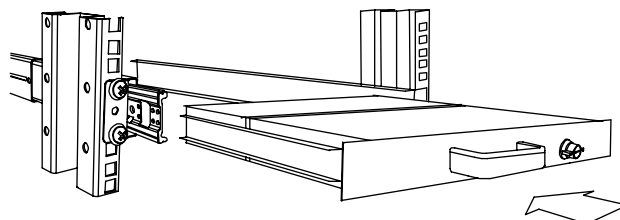


3. Tight-up four rear screws.



4. Repeat step 1~3 for the other side.

5. Push console into left and right rails. (Be careful when take out console.)



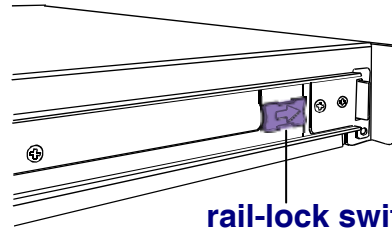
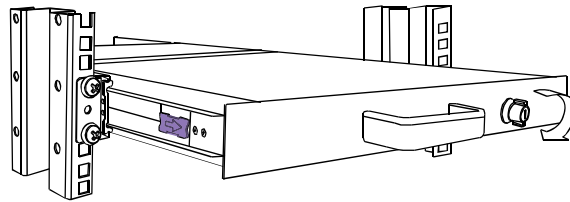
6. Unlock and pull rail-lock switch (left and right at the same time) then push console to the end.



lock

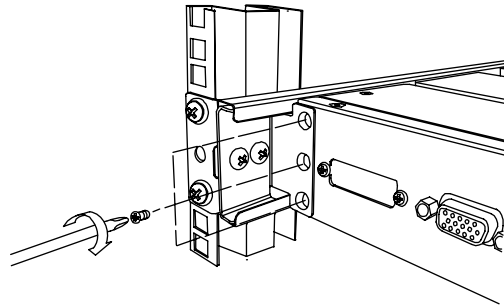


unlock

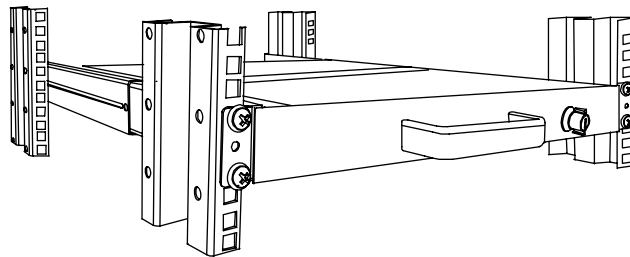


rail-lock switch

7. Install three screws in rear of the console. (Both sides)

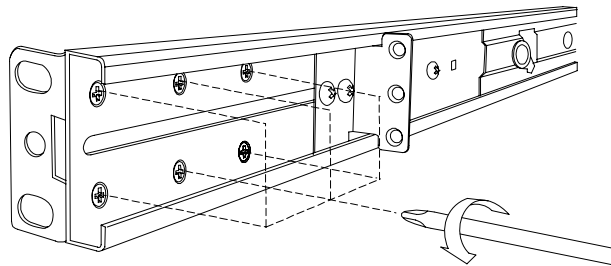


8. Finish installation as below.

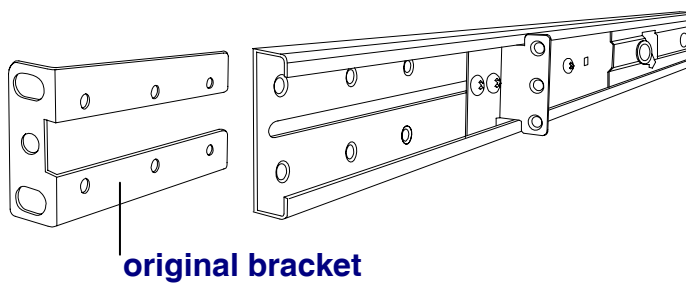


Replace longer bracket Step (For rack depth 828~1000mm)

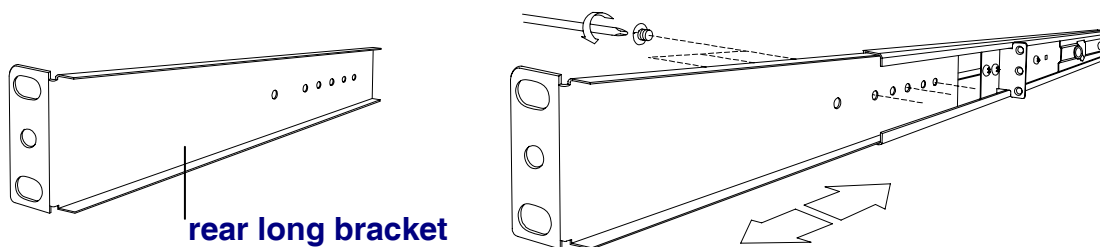
1. Release six screws.



2. Take rear bracket out.



3. Input rear long bracket to rear of the rail then adjust rear bracket to fit your cabinet. Tight-up 2~3 screws upon the length you need. One is forbidden.



4. Repeat step 1~3 for the other side.

5. Repeat installation step to install console to cabinet.

Single Rail LCD Console

Quick Installation Guide