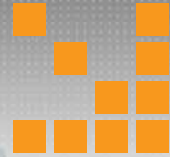




NEURO LOGIC
SYSTEMS

RF-30

Rugged 30-inch LED Display



RF30: 8U RACKMOUNT 30-INCH LCD



SPECIFICATIONS

■ **LCD SPECIFICATIONS:**

- LCD Technology:** IPS
- Resolution:** 2560(H) x 1600 (V) Pixels
- Display Active Area:** 641.3 mm/25.25" x 400.8mm/15.78"; 30" diagonal
- Aspect Ratio:** 16:10
- Color Depth:** 16.7M (8-bit)
- Brightness:** 300 cd/m2
- Contrast Ratio:** 1000:1
- Viewing Angle:** 178/178
- Substrate:** 3mm Bonded Glass

■ **Video Presets:**

- VESA 1280 x 800 / 60Hz
- VESA 2560 x 1600 / 60Hz
- Video Input:** 2 x Dual Link DVI-D
- Power:** Mil Power Connector
- 95-240VAC, 50/60Hz
- 90 Watts max.
- 5 Watts Standby
- Optional:** 115VAC/400Hz, 28V DC
- Ports:** 1-Front and 3-Back Internal USB Hubs

■ **Optional Touchscreen Available**

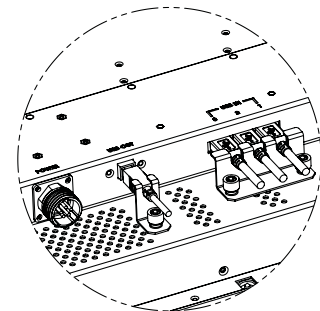
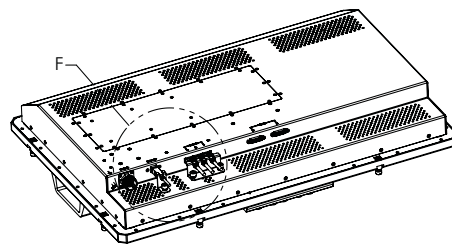
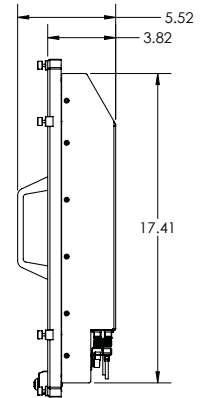
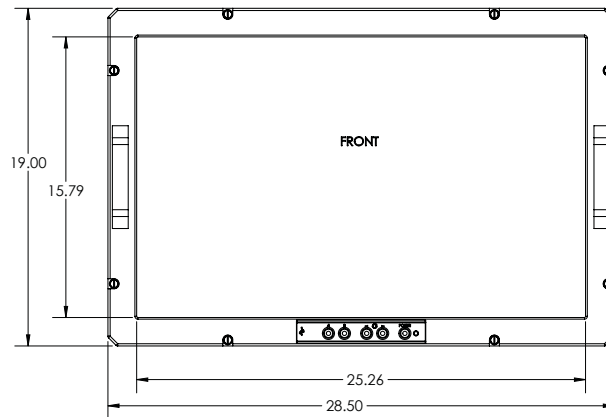
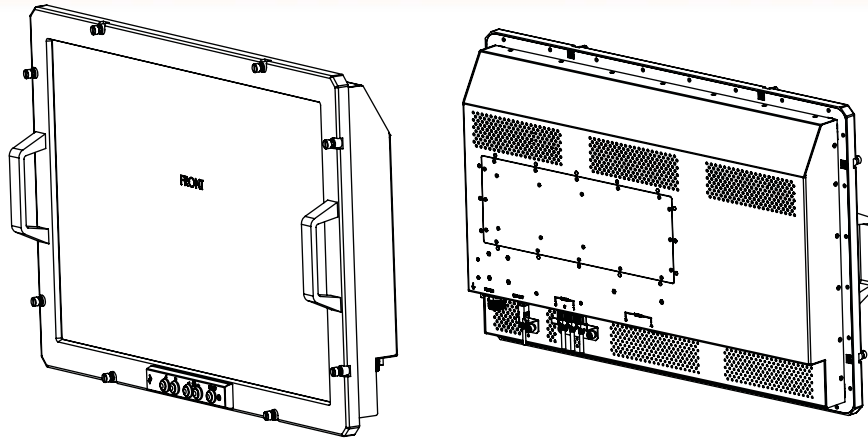
■ **GENERAL SPECIFICATIONS:**

- Size:** 28.2"x19.0"x3.8"
- Weight:** 24 lbs nom.
- Operating Temperature:** -10 to 50deg C
- Storage Temperature:** -20 to 60deg C
- Humidity:** 10-90%, non-condensing
- MTBF:** 50,000 hrs, minimum
- Compliance:** FCC(A), CSA, CE
- Certification:** 810 & 461E

RF30: Rugged 30-Inch LED Display



PRODUCTS



DETAIL F
SCALE 1 : 3

www.NLSdisplays.com

Sales and Product : sales@nlsdisplays.com



451-C CONSTITUTION AVE. CAMARILLO, CA 93012
T 1.805.389.5435 | F 1.805.389.5436

NEURO LOGIC
SYSTEMS