

PITCHED ROOF SOLUTION



CREOMOUNT

Manufactured by Session Solar

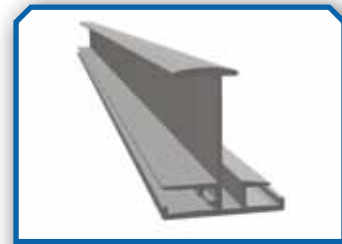


- Faster Installation
- Longer Rail Spans
- Over 125MW Installed Globally



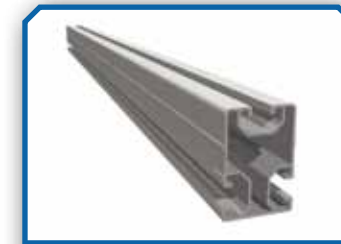


CREOMOUNT



AluTec Insertion Rail

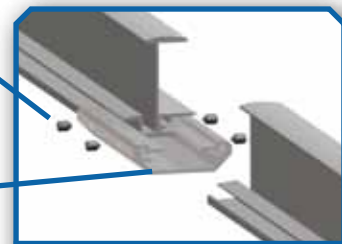
Part Number: Varies with module thickness
Available Length: 20 feet
Weight: 0.750 - 0.950 lb/ft



AluVer Base Rail

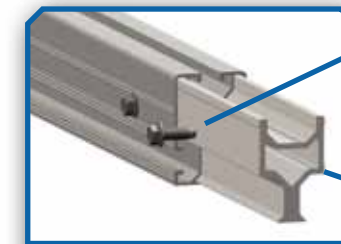
Part Number: 800.029.009
Available Length: 20 feet
Weight: 0.881 lb/ft

Socket Head Cone Point Screws, SS
Part Number: 800.006.007
Quantity: 4



AluTec Splice Set
Part Number: 800.006.012

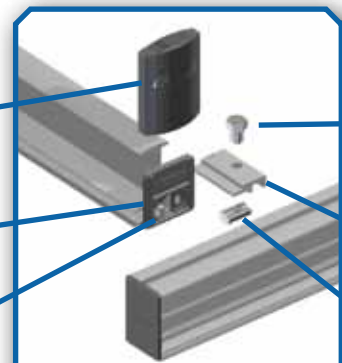
AluTec Splice
Part Number: 800.029.007
Length: 6 inch



AluVer Splice Set
Part Number: 800.006.011

Socket Head Self-Drilling Screws, SS
Part Number: 800.006.003
Quantity: 4

AluVer Splice
Part Number: 800.029.006
Length: 6 inch



AluTec Retaining Clip Set
Part Number: 800.006.009

AluTec End Cap
Part Number: 800.006.013

AluTec Edge Stop
Part Number: 800.006.001

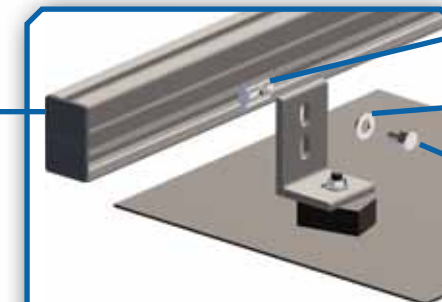
1/4" x 5/8" Sheet Metal Screw, SS
Part Number: 800.006.006

3/8" x 3/4" Hex Bolt, SS
Part Number: 800.006.004

Retaining Clip
Part Number: 800.029.008

Slot Nut, SS
Part Number: 800.066.001

AluVer End Cap
Part Number: 800.006.014



AluVer Connector Set
Part Number: 800.006.015

Slot Nut, SS
Part Number: 800.066.001

3/8" Washer, SS
Part Number: 800.006.005

3/8" x 5/8" Hex Bolt, SS
Part Number: 800.006.008

Watch our installation video at www.sessionsolar.com/creotecc

PITCHED ROOF SOLUTION

CREOMOUNT

Save time and money with CreoMount's clampless module mounting. Modules are inserted between parallel horizontal rails, eliminating the need for clamps. Compatible with all common roof attachments and module frame widths, CreoMount is manufactured by Session Solar in the USA.



FEATURES OF CREOMOUNT

- Longer rail spans reduce costly roof penetrations
- Gap-free module spacing creates superior aesthetics and convection cooling
- Compatible with all common roof attachments and module frame widths
- Minimal parts and tools required for both portrait and landscape orientation
- Design software for customized layout, equipment selection, wind and snow loads, bill of materials, cut sheets and diagrams
- Code compliant; 10 year limited warranty



Modules are inserted between parallel horizontal rails. Just place the panel into the top rail, let it slide down and the job is done!

With solutions for pitched roofs, flat roofs, and ground mounts, CreoTecc mounting systems feature the revolutionary AluTec insertion rail, which eliminates the need for clamps and accelerates module installation times. CreoTecc mounting systems are manufactured by Session Solar in the USA.



Watch our installation video at www.sessionsolar.com/creotecc



(831) 438-9000 | info@sessionsolar.com | www.sessionsolar.com
USA ■ Germany ■ Czech Republic ■ Switzerland ■ Italy ■ Spain