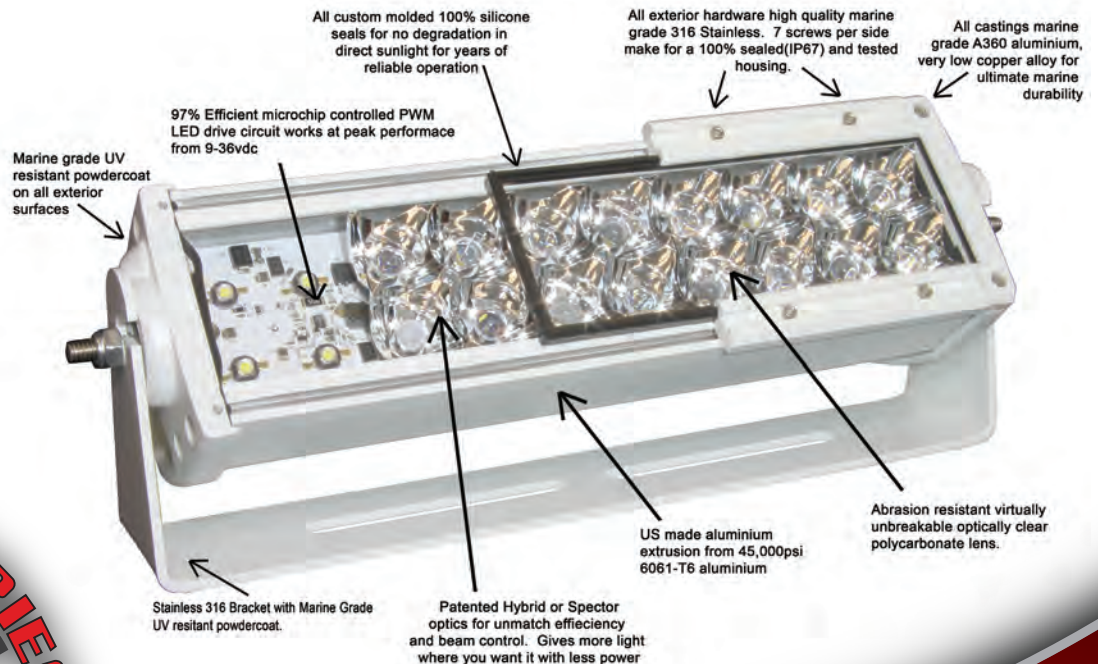


M-SERIES

- Built with the same quality and precision that Rigid Industries is known for, the Marine Series(M-Series) lineup is made for boating
- Patented Hybrid and Specter Optics designed specifically for the latest LED technology
- Unparalleled reliability – shockproof design with oversized heatsink to keep LEDs cooler – Equates to 50,000 hour average lifespan
- Available in lengths from 4" to 40"
- Spot (10 deg.) or Flood (20 deg.) reflectors give both distance and flood coverage
- Every M-Series light comes with wiring harness (water proof switch included). The 4, 6 and 10 inch lights come with a UV protected powder coated stainless steel cradle. The 20, 30 and 40 inch lights come with power coated UV protected cast brackets (for easy mounting to most surfaces). Dually and Dually D2 come with stainless steel adjustable cradle as well.
- Limited lifetime warranty
- Low Power Draw (2.9 amps (14V) per 10" Section)
- Highest Lumen Output per Watt – Each 10" section produces approx. 4000 lumens – equivalent to 150 watts of halogenlight!
- Hybrid Patented optics (patent #'s 6,986,593 b2, 7,114,832 b2,)
- Specter Patented optics (patent #'s 7,438,447)

- 20 DEGREE FLOOD PATTERN
- 10 DEGREE SPOT PATTERN
- UNBREAKABLE LEXAN LENS
- 6061 ALUMINUM EXTRUSION
- DURABLE UV POWDERCOAT FINISH
- SEALED WATER PROOF CONNECTOR
- PLUG AND PLAY WIRING HARNESS WITH SWITCH
- 9 - 36 VDC
- 50,000+ HOUR LIFE SPAN
- AVAILABLE IN SPOT, FLOOD, COMBO
- ZERO UV EMISSIONS
- IP68 RATING
- NO HOT SPOTS
- NO VIBRATION OR BOUNCING BEAMS
- 100% OPTICALLY CLEAR LENS
- NO WARM UP, INSTANT ON/OFF



MADE IN THE
USA

WWW.RIGIDINDUSTRIES.COM

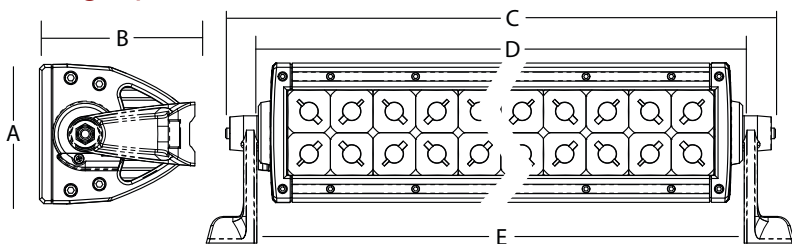
480.655.0100

M-SERIES

Specifications (E= 20° Flood, P = 10° Spot, PE = Combo)

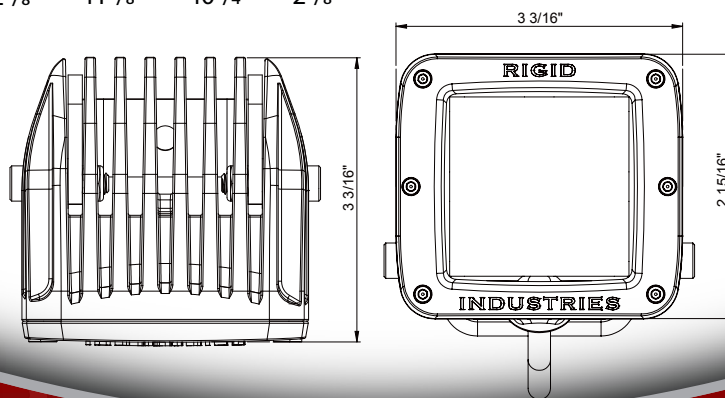
Model	Alt ID	Length	Watts	AMP Draw	LED's	Lumens	Lux @ 10m
MDLF1	60111		15	1	4	1300	71.43
MDLs1	60121		15	1	4	1300	250
MD2D1	70131		28	1.9	6	2600	165
MD2W1	70111		28	1.9	6	2600	400
ML04E	80411	4"	16.992	1.18	8	1580	178
ML04P	80421	4"	16.992	1.18	8	1580	637
ML06E	80611	6"	25.488	1.77	12	2370	254.8
ML06P	80621	6"	25.488	1.77	12	2370	910
ML06PE	80631	6"	25.488	1.77	12	2370	525
ML10E	81011	10"	42.48	2.95	20	3950	364
ML10P	81021	10"	42.48	2.95	20	3950	1300
ML10PE	81031	10"	42.48	2.95	20	3950	875
ML20PE	82031	20"	84.96	5.9	40	7900	1750
ML30PE	83031	30"	127.44	8.85	60	11850	2200
ML40PE	84031	40"	169.92	11.8	80	15800	2650

Sizing Specification Chart



Model	A	B	C	D	E	F
ML04	3 ¹ / ₄	3 ³ / ₄	6 ⁷ / ₈	5 ³ / ₈	4 ³ / ₄	2 ⁵ / ₈
ML06	3 ¹ / ₄	3 ³ / ₄	8 ⁷ / ₈	7 ³ / ₈	6 ³ / ₄	2 ⁵ / ₈
ML10	3 ¹ / ₄	3 ³ / ₄	12 ⁷ / ₈	11 ³ / ₈	10 ³ / ₄	2 ⁵ / ₈
ML20	3 ¹ / ₄	3 ³ / ₄	22 ⁷ / ₈	21 ³ / ₈	20 ³ / ₄	2 ⁵ / ₈
ML30	3 ¹ / ₄	3 ³ / ₄	32 ⁷ / ₈	31 ³ / ₈	30 ³ / ₄	2 ⁵ / ₈
ML40	3 ¹ / ₄	3 ³ / ₄	42 ⁷ / ₈	41 ³ / ₈	40 ³ / ₄	2 ⁵ / ₈

Alt ID	Description
60111	M-Series - Dually LED (Single) - Flood
60211	M-Series - Dually LED (Single) - Flood - Set of 2
60121	M-Series - Dually LED (Single) - Spot
60221	M-Series - Dually LED (Single) - Spot - Set of 2
70131	M-Series - Dually D2 LED (Single) - Flood
70231	M-Series - Dually D2 LED (Single) - Flood - Set of 2
70111	M-Series - Dually D2 LED (Single) - Spot
70211	M-Series - Dually D2 LED (Single) - Spot - Set of 2
80411	M-Series - 4" - Flood
80421	M-Series - 4" - Spot
80611	M-Series - 6" - Flood
80621	M-Series - 6" - Spot
80631	M-Series - 6" - Spot/Flood Combo
81011	M-Series - 10" - Flood
81021	M-Series - 10" - Spot
81031	M-Series - 10" - Spot/Flood Combo
82031	M-Series - 20" - Spot/Flood Combo
83031	M-Series - 30" - Spot/Flood Combo
84031	M-Series - 40" - Spot/Flood Combo



MADE IN THE
USA

WWW.RIGIDINDUSTRIES.COM

480.655.0100