

Get up and running in record time



The quickest install designed with ease in mind.

The ZG-JSL linkage is designed to facilitate the attachment of select Belimo actuators to a damper's jackshaft. The unique open ended design allows the linkage to clamp on to any part of a jackshaft measuring from 1/2" to 1.05" in diameter.

Saves time and cost

The ZG-JSL linkage simplifies typical installations and eliminates the difficulties where jackshaft bearings are hard to access. By improving the method of installing actuators onto jackshafts, the installer saves on installation time translating into a cost savings. The quicker the install, the sooner the installer can move on to the next project. Now with the ZG-JSL linkage all jackshaft installations will only take minutes!

Ideal for tight spaces

The ZG-JSL linkage has a built-in shaft which allows the direct coupling of Belimo actuators. The anti-rotation plate enables the installed actuator to be rotated 90 degrees for space saving applications.

A Closer Look.

Universal clamp

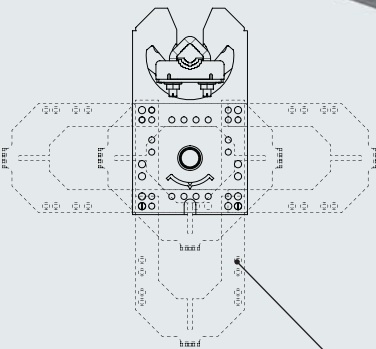
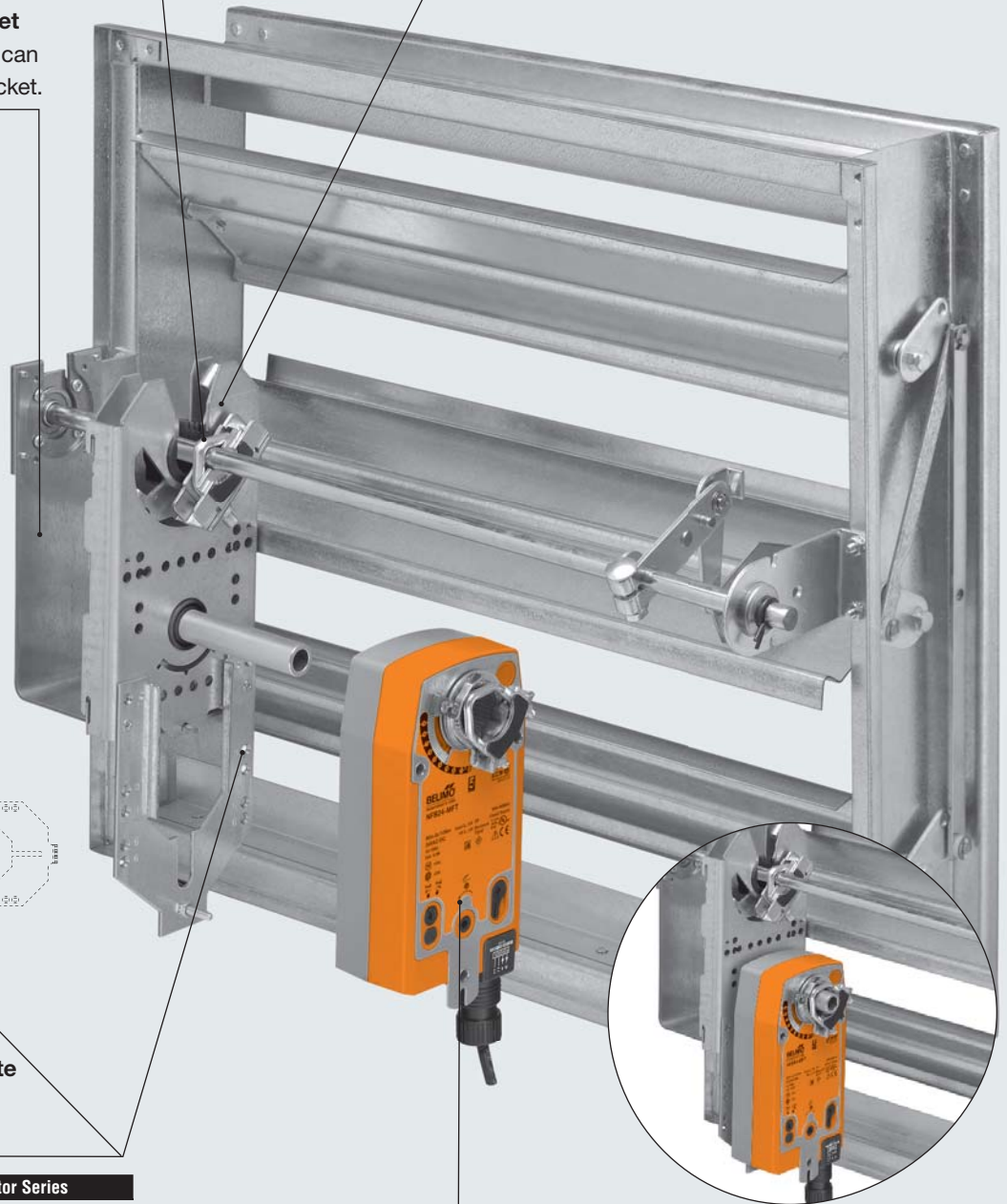
Designed to accommodate 1/2" to 1" shafts.

Linkage anti-rotation bracket

Keeps linkage in position and can be rotated on the bearing bracket.

Open end design

Allows the ZG-JSL to fasten to any jackshaft from 1/2" to 1.05" in diameter.



Adjustable anti-rotation plate

Mounting plate for a variety of Belimo actuators

Hole Designation #	Belimo Actuator Series
1	AF Series
2	AFX / NFX Series
3	GM Series (Pending Approval)
4	LF Series
5	AM Series
6	NM Series

Factory mounted actuator option (ZG-JSLA)

Belimo will factory mount their actuators saving you time and money.

A Wide Variety of Actuator Options.

	Actuator Series	Product Range/ Technical Data	Torque	Control Input	Feedback VAC	Power Supply	VA Rating
Spring Return Actuators	AF...	ZG-JSLA + AF120 US	123 in-lb	On/Off	–	24 VAC/DC	11
		ZG-JSLA + AF120-S US	123 in-lb	On/Off	–	24 VAC/DC	11
		ZG-JSLA + AF24 US	123 in-lb	On/Off	–	24 VAC/DC	10
		ZG-JSLA + AF24-S US	123 in-lb	On/Off	–	24 VAC/DC	10
		ZG-JSLA + AF24-SR US	123 in-lb	On/Off	–	24 VAC/DC	10
		ZG-JSLA + AFA24-SR US	123 in-lb	On/Off	24 VAC/DC	24 VAC/DC	11
	AFX...	ZG-JSLA + AFXUP	166 in-lb	On/Off	–	24 VAC/DC	9.5
		ZG-JSLA + AFXUP-S	166 in-lb	On/Off	–	24 VAC/DC	9.5
		ZG-JSLA + AFX24-MFT	166 in-lb	2-10 VDC	2-10 VDC	24 VAC/DC	10
		ZG-JSLA + AFX24-MFT-S	166 in-lb	Variable with MFT (VDC, PWM, Floating Point, On/Off)	Variable VDC	24 VAC/DC	10
		ZG-JSLA + AFX24-MFT95	166 in-lb	0 to 135 W	2-10 VDC	24 VAC/DC	10
	NFX...	ZG-JSLA + NFX24	87 in-lb	On/Off	–	24 VAC/DC	8.5
		ZG-JSLA + NFX24-S	87 in-lb	On/Off	–	24 VAC/DC	8.5
		ZG-JSLA + NFX24-SR	87 in-lb	On/Off	2-10 VDC	24 VAC/DC	6
		ZG-JSLA + NFX24-SR-S	87 in-lb	On/Off	2-10 VDC	24 VAC/DC	6
		ZG-JSLA + NFXUP	87 in-lb	On/Off	–	24 VAC/DC	9.5
		ZG-JSLA + NFXUP-S	87 in-lb	On/Off	–	24 VAC/DC	9.5
		ZG-JSLA + NFX24-MFT	87 in-lb	Variable with MFT (VDC, PWM, Floating Point, On/Off)	Variable VDC	24 VAC/DC	9
		ZG-JSLA + NFX24-MFT-S	87 in-lb	Variable with MFT (VDC, PWM, Floating Point, On/Off)	Variable VDC	24 VAC/DC	9
	LF24...	ZG-JSLA + LF24 US	33 in-lb	On/Off	–	24 VAC/DC	7
		ZG-JSLA + LF24-S US	33 in-lb	On/Off	–	24 VAC/DC	7
		ZG-JSLA + LF120 US	33 in-lb	On/Off	–	24 VAC/DC	7.5
		ZG-JSLA + LF120-S US	33 in-lb	On/Off	–	24 VAC/DC	7.5
		ZG-JSLA + LF24-SR US	33 in-lb	On/Off	2-10 VDC	24 VAC/DC	5
ZG-JSLA + LF24-SR-S US		33 in-lb	On/Off	2-10 VDC	24 VAC/DC	5	
ZG-JSLA + LF24-3 US		33 in-lb	On/Off	–	24 VAC/DC	5	
ZG-JSLA + LF24-MFT US		33 in-lb	Variable with MFT (VDC, PWM, Floating Point, On/Off)	2-10 VDC	24 VAC/DC	5	
EFS	GKX...	ZG-JSLA + GKX24-3*	288 in-lb	On/Off, Floating Point	Add-on	24 VAC/DC	20
		ZG-JSLA + GKX24-SR*	288 in-lb	On/Off, Floating Point	2-10 VDC	24 VAC/DC	20
		ZG-JSLA + GKX24-MFT*	288 in-lb	Various	2-10 VDC	24 VAC/DC	20
Non-Spring Return Actuators	GMX...	ZG-JSLA + GMX24-3*	288 in-lb	On/Off, Floating Point	Add-on	24 VAC/DC	6
		ZG-JSLA + GMX24-SR*	288 in-lb	On/Off, Floating Point	2-10 VDC	24 VAC/DC	6.5
		ZG-JSLA + GMX120-3*	288 in-lb	On/Off, Floating Point	Add-on	24 VAC/DC	9
		ZG-JSLA + GMX24-PC*	288 in-lb	0-20 V Phasecust	2-10 VDC	24 VAC/DC	7
		ZG-JSLA + GMX24-MFT*	288 in-lb	Various	Various	24 VAC/DC	7
		ZG-JSLA + GMX24-MFT95*	288 in-lb	Various	2-10 VDC	24 VAC/DC	7
	AMX...	ZG-JSLA + AMX24-3	166 in-lb	On/Off, Floating Point	Add-on	24 VAC/DC	5.5
		ZG-JSLA + AMX24-SR	166 in-lb	On/Off, Floating Point	2-10 VDC	24 VAC/DC	5
		ZG-JSLA + AMX24-SR-T	166 in-lb	On/Off, Floating Point	2-10 VDC	24 VAC/DC	5
		ZG-JSLA + AMX24-PC	166 in-lb	0-20 V Phasecust	2-10 VDC	24 VAC/DC	6
		ZG-JSLA + AMX120-3	166 in-lb	On/Off, Floating Point	Add-on	24 VAC/DC	7
		ZG-JSLA + AMX120-SR	166 in-lb	On/Off, Floating Point	2-10 VDC	24 VAC/DC	7
		ZG-JSLA + AMX24-MFT	166 in-lb	Various	Various	24 VAC/DC	6
		ZG-JSLA + AMX24-MFT	166 in-lb	Various	Various	24 VAC/DC	6
	NMX...	ZG-JSLA + NMX24-3	87 in-lb	On/Off, Floating Point	Add-on	24 VAC/DC	4
ZG-JSLA + NMX24-3-T		87 in-lb	On/Off, Floating Point	Add-on	24 VAC/DC	4	
ZG-JSLA + NMX24-SR		87 in-lb	On/Off, Floating Point	Add-on	24 VAC/DC	5	
ZG-JSLA + NMX24-SR-T		87 in-lb	On/Off, Floating Point	Add-on	24 VAC/DC	5	
ZG-JSLA + NMX24-PC		87 in-lb	0-20 V Phasecust	Add-on	24 VAC/DC	6	
ZG-JSLA + NMX120-3		87 in-lb	On/Off, Floating Point	Add-on	24 VAC/DC	5.5	
ZG-JSLA + NMX120-SR		87 in-lb	On/Off, Floating Point	Add-on	24 VAC/DC	6.5	
ZG-JSLA + NMX24-MFT95		87 in-lb	0-20 V Phasecust	2-10 VDC	24 VAC/DC	6	
ZG-JSLA + NMX24-MFT		87 in-lb	Various	Various	24 VAC/DC	6	
ZG-JSLA + NMX24-MFT		87 in-lb	Various	Various	24 VAC/DC	6	

ZG-JSL Technical Data

Weight 3.25 lbs.

Material galvanized steel

Operation

The ZG-JSL linkage transfers actuator torque to the jackshaft. There is a torque reduction when using the ZG-JSL linkage with the following actuators. Ensure application requirements before ordering. Order the actuator and linkage assembled at the factory and save on cost with the ZG-JSLA option.

Pricing

The ZG-JSL linkage can be purchased as an accessory for a list price of \$250.00. Belimo can factory mount the ZG-JSL to any of the actuators shown for a list price of \$200.00 plus the cost of the actuator.

5-Year warranty on ZG-JSL linkage when used with a Belimo installed actuator only.

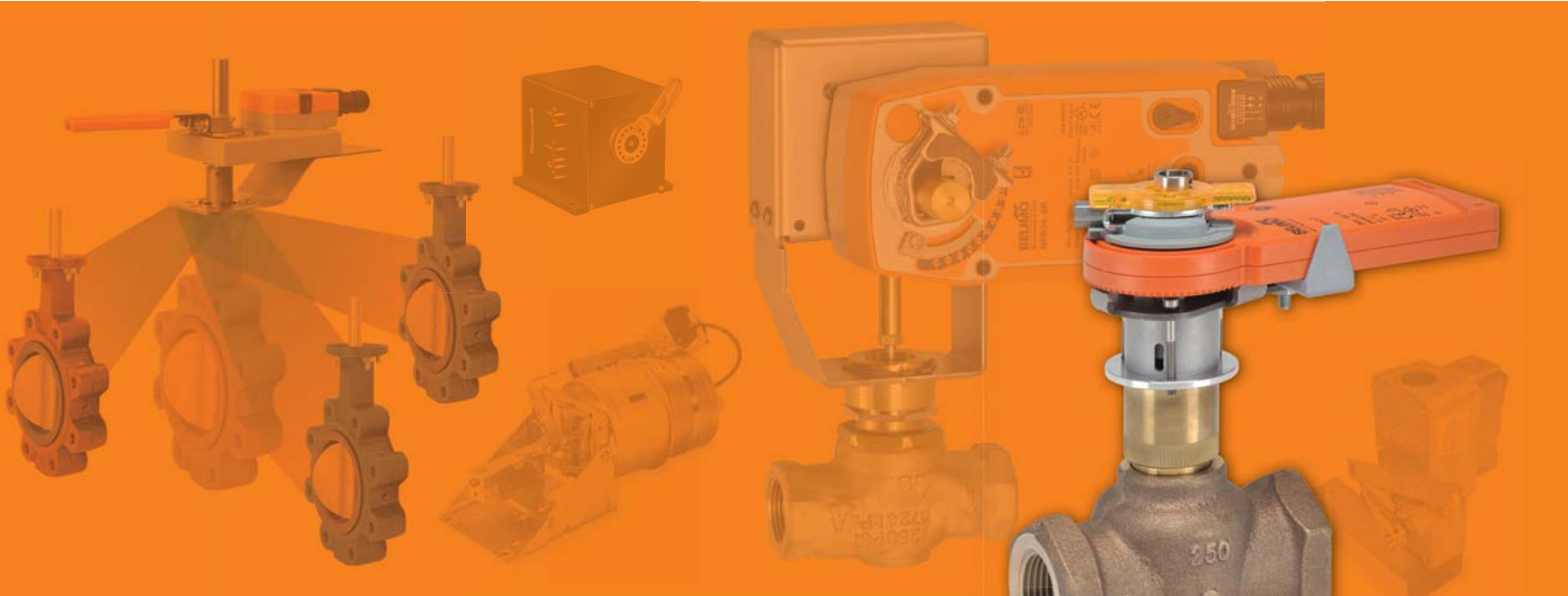
Ordering example for ZG-JSL linkage assembled with AMX24-3 actuator:

ZG-JSLA+AMX24-3.

*GM/GK series pending, a release date will be announced in 4th quarter 2010.



Retrofit Solutions for valves and damper actuators which increase the quality and reliability of your entire system.



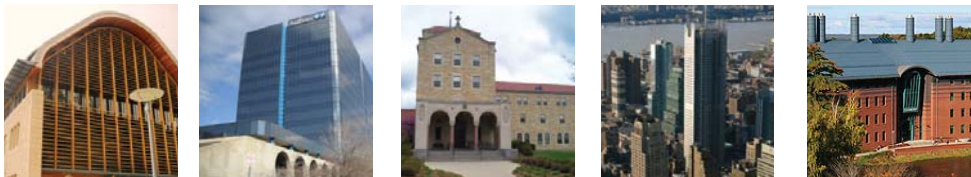
Discover Belimo's Retrofit Resource Team dedicated to offering you options, support and guidance.

Belimo has a dedicated team of retrofit professionals to provide you the guidance and resource for getting the most from your HVAC system. If you are experiencing broken or outdated actuators, valves that are not performing or are causing unnecessary energy consumption; Belimo dedicated retrofit team can help you.

Belimo has a complete in-house machine shop with the ability to fabricate custom linkages for valve automation. Product mediums include stainless steel, cold rolled steel or brass. With our machining capabilities and our retrofit team we can design and create custom retrofit linkage solutions for your existing valves, regardless of the manufacturer.

Belimo actuators and valves lead the industry in cutting-edge technology and value. Whether electronic or pneumatic, there is a simple way to retrofit.

Belimo Retrofit Installations:



Valve Retrofit, Yale, Kroon Hall, New Haven, CT
Valve Retrofit, Aetna, Denver, CO
Valve Retrofit, Assisi Heights, Sisters of St. Francis Rochester, MN
Actuator Retrofit, New York Times, New York City, NY
Actuator Retrofit, University of Connecticut (UCONN), Storrs, CT

Belimo worldwide: www.belimo.com

BELIMO Americas

USA Locations, 43 Old Ridgebury Road, Danbury, CT 06810
Tel. 800-543-9038, Fax 800-228-8283, marketing@us.belimo.com

1049 Fortunato Loop, Sparks, NV 89436
Tel: (800) 987-9042, Tel: (775) 857-4243, Fax: (800) 987-8875

Canada Locations, 14/16 – 5716 Coopers Avenue, Mississauga, Ontario L4Z 2E8
Tel. 866-805-7089, Fax 905-712-3124, marketing@us.belimo.com

Latin America & The Caribbean Customer Service, Tel. 203-791-8396, Fax 203-791-9139, marketing@us.belimo.com

New UGSL1200 Linkage
for Siemens® 599

Replacement solutions are available for Siemens®, Johnson Controls®, Honeywell®, Invensys®, Robertshaw®, Siebe, Barber Colman®, Landis®, Powers®, Warren®, Apollo®, Bray®, Centerline®, Challenger®, Chemtrol®, Dezurik®, Flowseal®, FNW®, Gruvlok®, Hammond®, Keystone®, K-LOK®, Metraflex®, Milwaukee®, Mueller®, Nibco®, PDC®, Quartermaster®, Victaulic®, Watts® and many more.

RETROFIT
SOLUTIONS BY BELIMO

BELIMO[®]