

MOBILE TACTICAL RECEIVER

Vehicle Mounted Diversity COFDM HD / SD Receiver



FEATURES:

- Dual input maximal ratio combining diversity receiver
- MPEG-4 / MPEG-2 computer application decoder
- IP Streaming of MPEG TS
- Software configurable settings
- Integrated antennas
- Video, audio, data
- Web GUI

OPTIONS:

- AES Decryption
- Magnetic mounting
- Custom mounting options
- Custom colors

ACCESSORIES:

- Power integrated Ethernet cable
- Hard case
- Software Decoder / DVR

APPLICATIONS:

- Airborne down link
- Surveillance, fire fighting, SWAT, public safety, and homeland security

The IMT Mobile Tactical Receiver is a ruggedized COFDM (DVB-T compliant) diversity vehicle mounted down link receiver. It offers exceptional RF performance and durability with H.264 MPEG-4 and MPEG-2 decoding. The Mobile Tactical Receiver has AES decryption capabilities that make it ideal for law enforcement, public security monitoring and homeland security applications.

The IMT Mobile Tactical Receiver includes integrated antennas and features a compact, lightweight rugged IP rated chassis enabling it to be mounted on vehicles in any weather conditions. The receiver accepts IP Streaming of the MPEG Transport Stream to the computer application software decoder and is powered via a single cable. All of these features provide an unequalled value in a high quality COFDM down link reception.

A windows-based software application decoder (IMT Soft Decoder) is included with each Mobile Tactical Receiver. With a simple click of a button the user can decode video and audio from the down link transmitter. The Soft Decoder also features channel control, receiver statistics and recorder functionality.

The Mobile Tactical Receiver is designed with the user in mind. The unit requires minimal setup to operate. For advanced functions such as changing frequency plans, AES decryption keys, or unit naming, an easy to use administration software package is supplied.

The administration software package also allows users to configure and store up to 16 custom preset configurations. The presets can store as little or as much information as the administrator wishes. Access control ensures that users will not inadvertently corrupt mission critical settings.

MOBILE TACTICAL RECEIVER

Vehicle Mounted Diversity COFDM HD / SD Receiver

RF Performance:

Model Number	Frequency (GHz)	DC Power (W)	Antenna Gain
47 MTRx	4.400 - 5.000	6W	TBD
64 MTRx	6.425 - 6.525	6W	4.0 dBi Omni

Tuning step size: 250 KHz step size standard others available upon request.
 Frequency stability: ± 10 ppm

De-Modulation Modes:

Modes are auto detected within modulation format

Modulation

Modulation Formats: COFDM (DVB-T)
 Carriers: 2K
 Constellation: QPSK, 16QAM, 64 QAM
 Code Rate: 1/2, 2/3, 3/4, 5/6, 7/8
 Guard Interval: 1/32, 1/16, 1/8, 1/4
 Bandwidth: 6 MHz, 7 MHz, and 8 MHz

Diversity

Channels: 2 input maximum ratio combining

MPEG Decoder (Software):

Video 1

Method: MPEG-4 H.264 ISO/IEC 14496 part 10 AVC / ITU-T

Video 2

Method: MPEG-2

Audio

Audio Coding: MPEG-1, MPEG-2, MPEG-2.5 and LPCM

System

Decryption (optional)

AES Block Cipher, supporting key size of 128 or 256bit (FIPS PUB 197) selectable

Ethernet

Stream MPEG-TS over UDP/RTP or RTSP
 WEB control
 GUI Configuration
 Data over UDP

Power Requirements:

Input range: DC: +9 to +32
 Power consumption: See table above

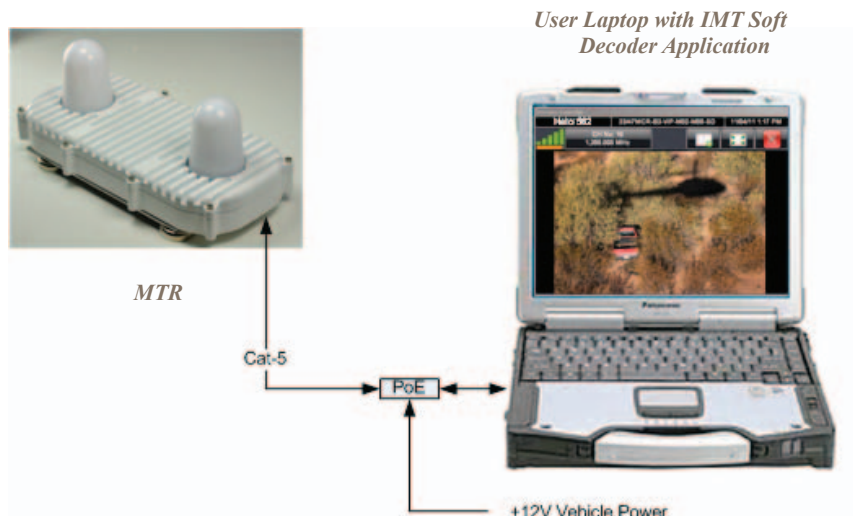
Environmental:

Temperature range:
 Full specification: -30° to $+50^{\circ}$ C
 Storage: -40° to $+80^{\circ}$ C
 Humidity: 0 to 95% non-condensing

Physical Characteristics:

Size: 12"L x 5.3"W x 5.1"H
 Weight: 6.388 lbs
 Egress: IP56 [TBP]
 Vibration: MIL-STD-810
 Control: WEB GUI

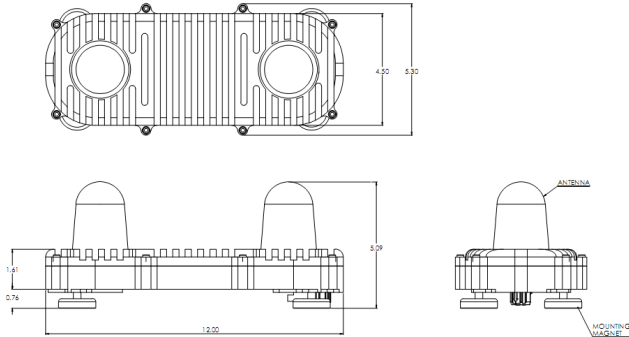
Mobile Tactical Receiver Setup:



MOBILE TACTICAL RECEIVER

Vehicle Mounted Diversity COFDM HD / SD Receiver

Outline:



IMT Soft Decoder:



Applications:

