

Get the most out of your packaging.

Creating an Impact...

Quality is a given. But you get so much more.

Our clients put everything they've got into the products they develop and manufacture. We make sure their customers get the most out of the packages they receive.

From concept to completion, The BoxMaker works with all kinds of companies to ensure each package delivers a favorable and lasting impression, while making a positive impact on profitability and sustainability wherever possible.

Reliable

Projects are completed correctly and delivered on time. Project teams work together to ensure requirements are met and expectations exceeded.

Responsive

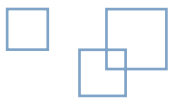
Promises are easy, but it's the follow-through that counts. Our account reps take pride in proactively identifying needs, facilitating quick turn times and consistently going above and beyond.

Creative

While The BoxMaker may be best known for our ability to design durable, distinctive, award-winning solutions to any packaging challenge, many clients also appreciate our holistic approach to discovering opportunities to save time and money across their business operations.

Efficient

We are Lean Packaging Experts committed to using our knowledge and leading-edge technology to develop responsible solutions that minimize waste and drive productivity.



- Rapid prototyping
- CAD design / SolidWorks 3D rendering
- Package testing services
- Sustainable, cost-effective packaging
- Competitive lead-times
- National accounts through Afflink

...Design through Fulfillment.

Focused on making sure your product arrives safely and economically.

Custom Corrugated & Foam Packaging

The BoxMaker's award-winning design team and extensive in-house die cutting, printing, folding and gluing capabilities enable us to meet your full range of needs. We can convert many substrates to meet the requirements of any application. Our Foam division is a leading fabricator of open and closed cell, styrene and Green Cell® foam, as well as specialty blends and military spec compliant foam. With testing and total quality control, we can handle short runs to truck-load quantities to meet your needs.

Labels

We design and print custom labels for a variety of industries including Food & Beverage, Health & Beauty and Personal Care & Supplements. Thousands of custom die sizes and unique shapes are available, as well as eight-color printing, foil and fluorescent stocks, thermal imprinting, ribbons and labeling systems.

Supplies

With over 10,000 standard items in stock or readily available, The BoxMaker can help you streamline and consolidate your supply chain.

- Stock boxes, protective mailers, pads and single-face rolls
- Flexible packaging: poly bags, pouches, shrink film
- Bubble wrap, foam and other cushioning products
- Janitorial, sanitary and safety products
- Tapes (acrylic, hot melt, reinforced paper, duct, filament)
- Plastic and steel strapping products and machinery
- Hand and machine stretch film
- Kraft paper, newsprint, dunnage and other void fills
- Food and medical bottles, caps and closures

Fulfillment

Many companies are discovering the advantages of locally outsourcing warehousing, assembly and shipping activities for tremendous savings in labor and overhead costs.

- Assembly
- Warehousing
- Crating
- Inventory control
- Kitting
- Pack Out
- Quality Control
- Shipping

Digital Packaging

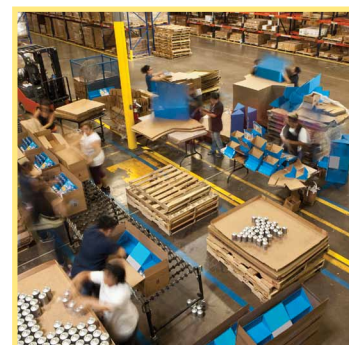
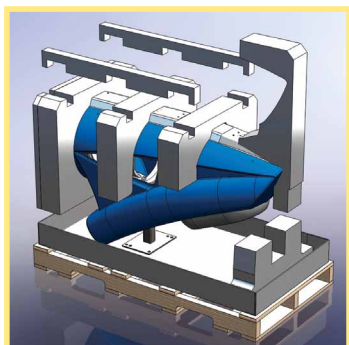
By eliminating the need for plates or cutting dies, digital printing and converting lets us offer high end print at significantly reduced upfront cost. This is especially valuable for smaller clients, regional test-marketing initiatives and larger clients looking to streamline packaging supply chains.

- High-end Packaging
- Prototypes
- Displays
- Sample Kits

Site Survey & Needs Assessment

From comprehensive site and process analysis to ongoing supply chain optimization and Lean consulting (JIT VMI, Kanban, Six Sigma), we are dedicated to making a positive impact on your bottom line as well as your product line.

► **Schedule Yours Today!**



The BoxMaker is Your Northwest Packaging Partner.



WASHINGTON

Bellingham

3999 Hammer Drive
Bellingham, WA 98226
360.671.1743

Seattle

6412 South 190th Street
Kent, WA 98032
425.251.5428

Spokane

3808 North Sullivan Road,
Bldg. #12, Suite N
Spokane Valley, WA 99216
800.449.5431

OREGON

Portland

2524 Northeast Riverside Way
Portland, OR 97211
503.445.1983

Eugene

3285 West First Avenue, Suite A
Eugene, OR 97402
541.484.7233

Medford

323 Ehrman Circle
Medford, OR 95701
800.452.8991



Creating an Impact,
Design through Fulfillment.

The **Box** 
Maker