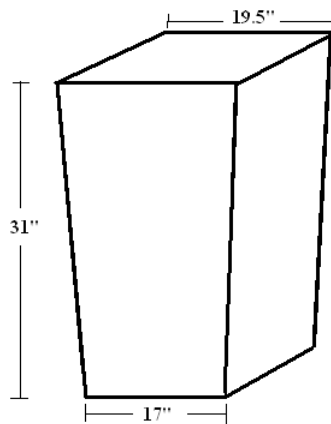


DAWN

Enterprises

Specification Sheet RP40S: 40 Gallon Plastic Receptacle



Specifications:

- Dimensions: 19.5" x 19.5" at top, 17" x 17" at base, 31" height
- Weight: 15 lbs
- Materials: Rotationally molded #4 recyclable HDPE
- Color Options: Red, Reflex Blue, Royal Blue, Black, Brown, Grey, Granite, Sand Granite, or custom colors available.
- Lid Options: TP35F, TP35H, TP40H4, or TP40H4A