

NISSAN 370Z / INFINITI G37

SUPERLITE 6R BIG BRAKE FRONT HAT KIT

Models Covered:

Nissan [370Z](#)
Infiniti [G37](#)

2009 - Present
2008 - Present

Kit Features:

- Engineered bolt-on system upgrades for street and track .
- Upgrade from OE calipers and 320 mm discs to forged billet six piston calipers and a choice of either 332 or 356 mm discs.
- Compatible with all ABS functions and OE master cylinder output.
- Matched performance with rear kit part number [140-9507](#).
- Designed for use with wheels providing additional clearance as per the diagram on page 2.

Component Features:

Billet Superlite Six Piston Radial Mount Calipers

- Fully machined billet forgings, based on a race proven design, demonstrate superior strength and resistance to deflection under load.
- Six differential bore stainless steel pistons increase clamping force and provide balanced pad loading for even wear with high resistance to corrosion and heat transfer.
- Spring loaded stainless steel SRS bridge plates reduce noise by stopping pad rattle and damping the engagement harmonics that can contribute to pad squeal. Bridge wear from gouging at the pad trailing edge is also eliminated.
- Center bridge bolt design adds additional strength against caliper separation and deflection under load while allowing easy access for pad service without caliper removal.
- Standard calipers feature Wilwood's signature and high gloss black powder coat.
- Optional high gloss red coated calipers available as an upgrade

Directional Vane 13.06" or 14.00" Rotors

- Choice of 13.06" / 332mm or 14.00" / 356mm discs provide additional leverage for increased stopping power over the standard OE 12.60" / 320 mm disc.
- Directional vane rotors provide the highest degree of cooling efficiency with increased surface area and improved air circulation between the rotor faces. 13.06" discs feature 48 full width vanes. 14.00" discs featuring 72 staggered width vanes offer the highest cooling capacity for severe service in sustained high temperature conditions.
- [SRP series rotors](#) are drilled and slotted to enhance pad performance through improved cleaning, heat venting, and gas dispersion during braking. The directional drill and slot pattern is complimented with a corrosion resistant black E-coat finish to provide an aggressive, high tech appearance inside the wheel.
- [GT series rotors](#) are competition prepared with asymmetrical face slotting, full detail machining, and individual dynamic balancing to deliver maximum durability and thermal stability in sustained high heat temperature conditions with smooth operation at all speeds.

Forged Aluminum Rotor Mounting Hats

- [GT forged aluminum rotor hats](#) are lightweight to reduce power robbing rotating weight and strong to handle the exceptional brake torque generated by the SL6R calipers.
- Hats are black E-coated to resist corrosion and add to the aggressive competition look inside the wheel.

Wilwood BP-10 "Smart Pads"

- All kits include [BP-10](#) metallic-composite compound "Smart Pads". BP-10 delivers the increased friction, higher fade resistance, and longer wear of an entry level track pad, with virtually noise and dust free performance for the street.
- Optional race-only compounds can be ordered to suit the braking requirements at all levels of severe duty and sustained high heat competition.

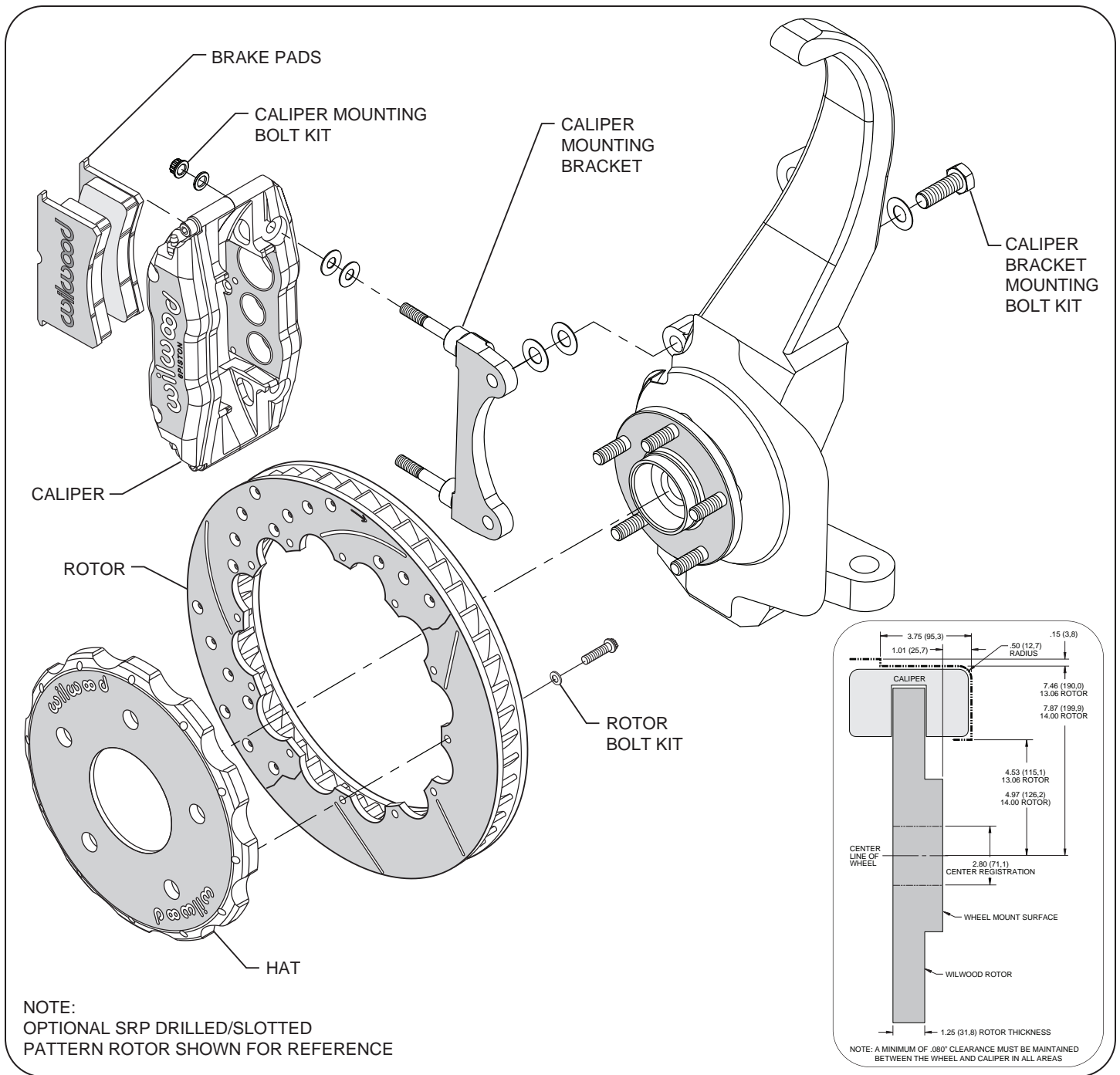
Mounting Hardware and Plumbing

- Race proven radial mount system provides two planes of adjustment for precise alignment of the caliper and pads over the rotor. Kits include billet brackets, high strength fasteners, washers, and alignment shims for an accurate and secure installation.
- Optional [stainless steel flex lines](#), with Teflon lining and machine crimped ends, include the fittings necessary to connect the calipers with the OE brake line fitting at the chassis. Flex line kits must be ordered separately.



Nissan/Infiniti Big Brake Front Kit with SRP Rotor

Please check the diagram on the back of this page for minimum inside wheel clearance requirements



Typical Installation Diagram, Major Components Identified. Minimum Wheel Fit Dimensions Shown Inset

ORDERING INFORMATION: BRAKE AND FLEX LINE KITS:

MAKE / MODEL	YEAR	KIT PART NUMBERS		
		GT ROTOR KIT	SRP ROTOR KIT	FLEX LINE KITS
13.06" (332 mm) Front Kits				
Nissan 370Z-Black Caliper	2009 - Present	140-11583	140-11583-D	220-11590
Infiniti G37-Black Caliper	2008 - Present	140-11583	140-11583-D	220-11590
Nissan 370Z-Red Caliper	2009 - Present	140-11583-R	140-11583-DR	220-11590
Infiniti G37-Red Caliper	2008 - Present	140-11583-R	140-11583-DR	220-11590
14.00" (356 mm) Front Kits				
Nissan 370Z-Black Caliper	2009 - Present	140-11584	140-11584-D	220-11590
Infiniti G37-Black Caliper	2008 - Present	140-11584	140-11584-D	220-11590
Nissan 370Z-Red Caliper	2009 - Present	140-11584-R	140-11584-DR	220-11590
Infiniti G37-Red Caliper	2008 - Present	140-11584-R	140-11584-DR	220-11590