

# Lanolinx LNX-1212GN-SFP-T

12-Port Managed Gigabit Industrial Ethernet Switch w/ 8 x Gigabit Combo Ports and 4 x 1000BaseX SFP Ports

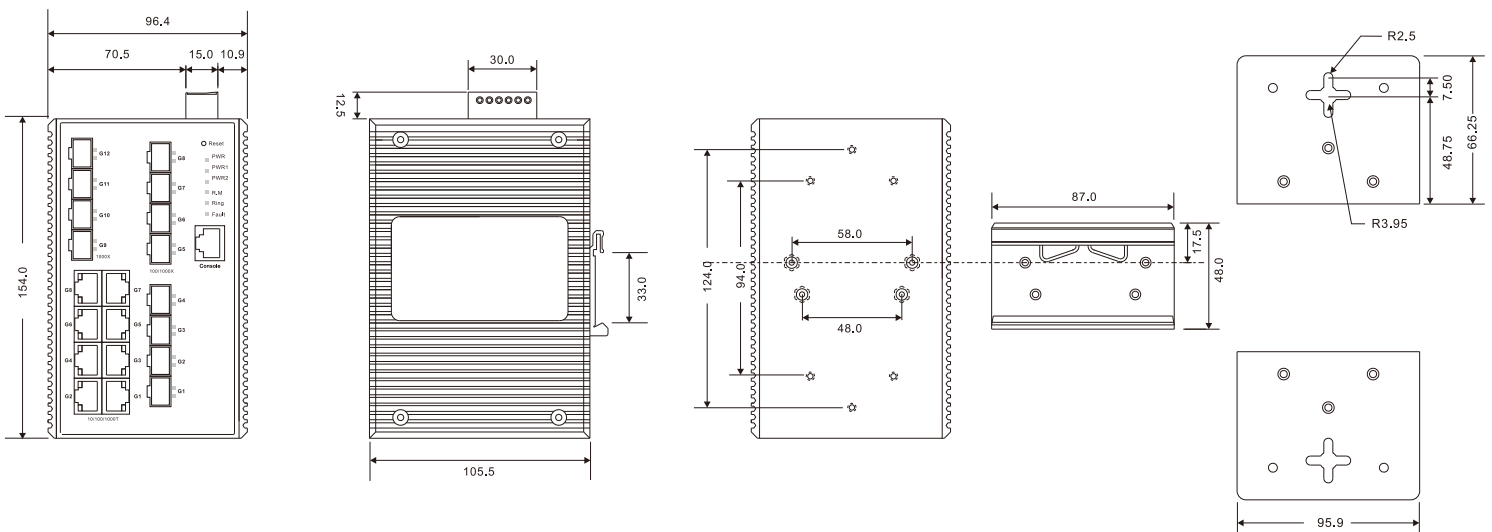


## Features

- ▶ Support 8 x Gigabit Combo Ports and 4 x 1000BaseX SFP Ports
- ▶ Support Jumbo Frame up to 9K Bytes
- ▶ Ring Redundancy (Recovery time < 20ms over 250 Units) MSTP/RSTP/STP (IEEE 802.1s/w/D) for Ethernet Redundancy
- ▶ Supports IP-Based Bandwidth Management
- ▶ Supports Application-Based QoS Management
- ▶ Supports IP Police Security Function
- ▶ Supports DOS/DDOS Auto Prevention
- ▶ Supports DDM (Digital Diagnostic Monitoring) Function (P1 ~ P8)
- ▶ IGMP v2/v3 (IGMP snooping support) for Filtering Multicast Traffic
- ▶ Supports SNMP v1/v2c/v3, RMON & 802.1Q VLAN Network Management
- ▶ Support ACL, 802.1x User Authentication for Security
- ▶ Support LLDP Protocol
- ▶ Rigid IP-30 Housing Design



## ▶ Dimensions (unit = mm)



## ► Specifications

### Physical Ports

8 x Gigabit Combo Ports (10/100/1000BaseT(X) & 100/1000BaseX SFP)  
4 x 1000BaseX SFP Ports

### Ethernet Standards

IEEE 802.3 for 10BaseT  
IEEE 802.3u for 100BaseTX and 100BaseFX  
IEEE 802.3z for 1000BaseX  
IEEE 802.3ab for 1000BaseT  
IEEE 802.3x for Flow Control  
IEEE 802.3ad for LACP (Link Aggregation Control Protocol)  
IEEE 802.1D for STP (Spanning Tree Protocol)  
IEEE 802.1p for COS (Class of Service)  
IEEE 802.1Q for VLAN Tagging  
IEEE 802.1w for RSTP (Rapid Spanning Tree Protocol)  
IEEE 802.1s for MSTP (Multiple Spanning Tree Protocol)  
IEEE 802.1x for Authentication  
IEEE 802.1AB for LLDP (Link Layer Discovery Protocol)

### MAC Table

8K

### Priority Queues

4

### Processing

Store-and-Forward

### Switch Properties

Switching Latency: 7 ms  
Switching Bandwidth: 24Gbps  
Max. Number of Available VLANs: 256  
IGMP Multicast Groups: 128 for each VLAN  
Port Rate Limiting: User Defined

### Jumbo Frame

Up to 9K bytes

### Security Features

IP Police Security Feature  
Enable/Disable Ports, MAC Based Port Security  
Port Based Network Access Control (802.1x)  
VLAN (802.1q) to Segregate and Secure Network Traffic  
RADIUS Centralized Password Management  
SNMP v3 Encrypted Authentication and Access Security

### Software Features

STP/RSTP/MSTP (IEEE 802.1D/w/s)  
Redundant Ring with Recovery Time < 20ms over 250 Units  
TOS/Diffserv Supported  
Quality of Service (802.1p) for Real-Time Traffic  
VLAN (802.1Q) with VLAN Tagging and GVRP Supported  
IGMP Snooping for Multicast Filtering  
IP-Based Bandwidth Management  
Application-Based QoS Management  
DOS/DDOS Auto Prevention  
Port Configuration, Status, Statistics, Monitoring, Security  
DHCP Client/Server

### Network Redundancy

Ring, STP, RSTP, MSTP

### RS-232 Serial Console Port

RS-232 in RJ-45 Connector with Console Cable  
115200bps, 8, N, 1

### LED Indicators

Power x 3, Ring, Ring Master, Fault, 10/100/1000TX RJ45, 100/1000X SFP

### Relay

Relay Output to Carry Capacity of 1A at 24VDC

### Redundant Input Power

Dual DC Inputs, 12 ~ 48 VDC on 6-pin Terminal Block

### Power Consumption

22 Watts

### Overload Current Protection

Present

### Reverse Polarity Protection

Present on Terminal Block

### Mechanical

IP-30 Enclosure  
Dimension (W x D x H): 96.4 x 108.5 x 154.0 mm (3.80 x 4.27 x 6.06 in.)  
Weight: 1,420g

### Operating Temperature

-40 ~ 70° C (-40 ~ 158° F)

### Storage Temperature

-40 ~ 85° C (-40 ~ 185° F)

### Humidity

5 ~ 95% Non-condensing

### EMI

FCC Part 15, CISPR (EN55022) Class A

### EMS

EN61000-4-2/3/4/5/6/8/11

### Shock

IEC60068-2-27

### Free Fall

IEC60068-2-32

### Vibration

IEC60068-2-6

### Safety

EN60950-1

### Warranty

5-Year Warranty

## ► Ordering Information

**LNX-1212GN-SFP-T**

12-Port Managed Gigabit Industrial Ethernet Switch w/ 8 x Gigabit Combo Ports and 4 x 1000BaseX SFP Ports

### Optional Accessories

**DR-4524** 45W 24VDC Industrial DIN Rail Power Supply  
**DR-75-24** 75W 24VDC Industrial DIN Rail Power Supply  
**DR-120-24** 120W 24VDC Industrial DIN Rail Power Supply

### Aaxeon Technologies

445 Capricorn St.  
Brea, CA 92821  
USA

Toll-Free: (877) AAXEON5 (229-3665)  
Phone: (714) 671-9000  
FAX: (714) 671-9944  
e-Mail: [info@aaxeon.com](mailto:info@aaxeon.com)

**aaxeon**  
[www.aaxeon.com](http://www.aaxeon.com)