

Lanolinx LNP-1204GN-T

12-Port Managed Gigabit Industrial PoE Switch w/ 8 x Gigabit PSE Ports and 4 x 1000BaseX SFP Ports

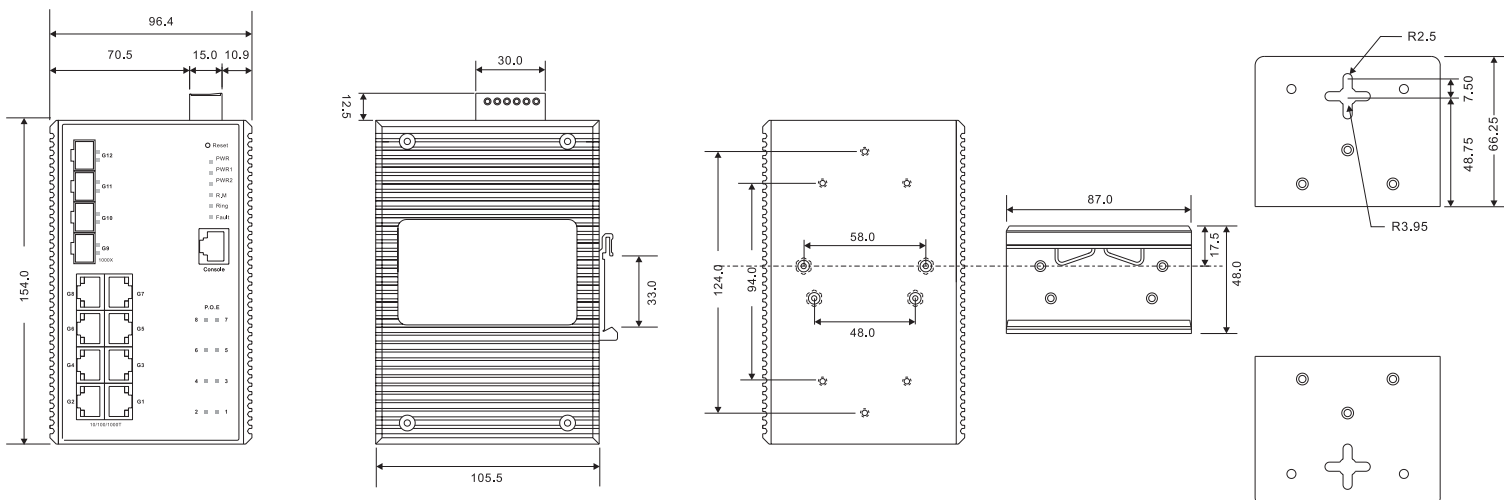


Features

- ▶ 8 x 10/100/1000BaseT(X) Ports and 4 x 1000BaseX SFP Ports
- ▶ 8 Port P.S.E. IEEE802.3at Standard Compliant, up to 30 Watts per port
- ▶ Supports Jumbo Frame up to 9K Bytes
- ▶ Redundant Ring (Recovery Time < 20ms over 250 Units of Connection)
- ▶ MSTP/RSTP/STP (IEEE 802.1s/w/D) for Ethernet Redundancy
- ▶ Supports IP-Based Bandwidth Management
- ▶ Supports Application-Based QoS Management
- ▶ Supports IP Police Security Function
- ▶ Supports DOS/DDOS Auto Prevention
- ▶ IGMP v2/v3 (IGMP Snooping Support) for Filtering Multicast Traffic
- ▶ Supports SNMP v1/v2c/v3, RMON, & 802.1Q VLAN Network Management
- ▶ Supports ACL, 802.1x User Authentication for security
- ▶ Configurable via Web-based Interface, Telnet, and Console (CLI)
- ▶ Support LLDP Protocol
- ▶ Rigid IP-30 Housing Design



▶ Dimensions (unit = mm)



► Specifications

Physical Ports

8 x 10/100/1000BaseT(X) with P.S.E. Ports in RJ-45 Auto MDI/MDI-X
4 x 1000BaseX SFP Ports

Ethernet Standards

IEEE 802.3 for 10BaseT
IEEE 802.3u for 100BaseTX and 100BaseFX
IEEE 802.3z for 1000BaseX
IEEE 802.3ab for 1000BaseT
IEEE 802.3x for Flow Control
IEEE 802.3ad for LACP (Link Aggregation Control Protocol)
IEEE 802.1D for STP (Spanning Tree Protocol)
IEEE 802.1p for COS (Class of Service)
IEEE 802.1Q for VLAN Tagging
IEEE 802.1w for RSTP (Rapid Spanning Tree Protocol)
IEEE 802.1s for MSTP (Multiple Spanning Tree Protocol)
IEEE 802.1x for Authentication
IEEE 802.1AB for LLDP (Link Layer Discovery Protocol)
IEEE 802.3at PoE Specification (up to 30 Watts per Port for P.S.E.)

MAC Table

8K

Priority Queues

4

Processing

Store-and-Forward

Switch Properties

Switching Latency: 7 ms
Switching Bandwidth: 24Gbps
Max. Number of Available VLANs: 256
IGMP Multicast Groups: 128 for each VLAN
Port Rate Limiting: User Defined

Jumbo Frame

Up to 9K bytes

Security Features

IP Police Security Feature
Enable/Disable Ports, MAC Based Port Security
Port Based Network Access Control (802.1x)
VLAN (802.1q) to Segregate and Secure Network Traffic
RADIUS Centralized Password Management
SNMP v3 Encrypted Authentication and Access Security

Software Features

STP/RSTP/MSTP (IEEE 802.1D/w/s)
Redundant Ring with Recovery Time < 20ms over 250 Units
TOS/Diffserv Supported
Quality of Service (802.1p) for Real-Time Traffic
VLAN (802.1Q) with VLAN Tagging and GVRP Supported
IGMP Snooping for Multicast Filtering
IP-Based Bandwidth Management
Application-Based QoS Management
DOS/DDOS Auto Prevention
Port Configuration, Status, Statistics, Monitoring, Security
DHCP Client/Server

Network Redundancy

Ring, STP, RSTP, MSTP

RS-232 Serial Console Port

RS-232 in RJ-45 Connector with Console Cable
115200bps, 8, N, 1

LED Indicators

Power x 3, Ring, Ring Master, Fault, 10/100/1000TX RJ45, 1000X SFP, PoE

Relay

Relay Output to Carry Capacity of 1A at 24VDC

Redundant Input Power

Dual DC Inputs, 50 ~ 57 VDC on 6-pin Terminal Block

Power Consumption

20 Watts (Powered Devices not Included)

Overload Current Protection

Present

Reverse Polarity Protection

Not Present

Mechanical

IP-30 Enclosure
Dimension (W x D x H): 96.4 x 108.5 x 154.0 mm (3.80 x 4.27 x 6.06 in.)
Weight: 1,400g

Operating Temperature

-40 ~ 70° C (-40 ~ 158° F)

Storage Temperature

-40 ~ 85° C (-40 ~ 185° F)

Humidity

5 ~ 95% Non-condensing

EMI

FCC Part 15, CISPR (EN55022) Class A

EMS

EN61000-4-2/3/4/5/6/8/11

Shock

IEC60068-2-27

Free Fall

IEC60068-2-32

Vibration

IEC60068-2-6

Safety

EN60950-1

Warranty

5-Year Warranty

► Ordering Information

LNP-1204GN-T

12-Port Managed Gigabit Industrial PoE Switch w/ 8 x 10/100/1000BaseT(X) PSE Ports and 4 x 1000BaseX SFP Ports

Optional Accessories

DR-75-48

75W 48VDC Industrial DIN Rail Power Supply

DR-120-48

120W 48VDC Industrial DIN Rail Power Supply

Aaxeon Technologies

445 Capricorn St.
Brea, CA 92821
USA

Toll-Free: (877) AAXEON5 (229-3665)
Phone: (714) 671-9000
FAX: (714) 671-9944
e-Mail: info@aaxeon.com

aaxeon
www.aaxeon.com