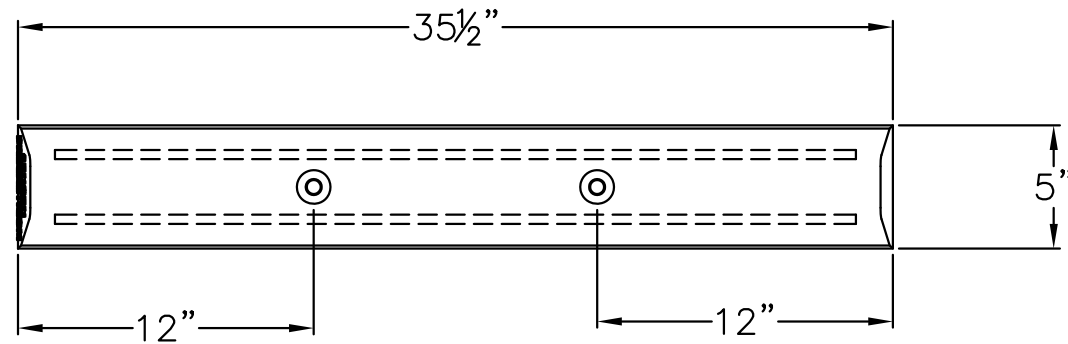
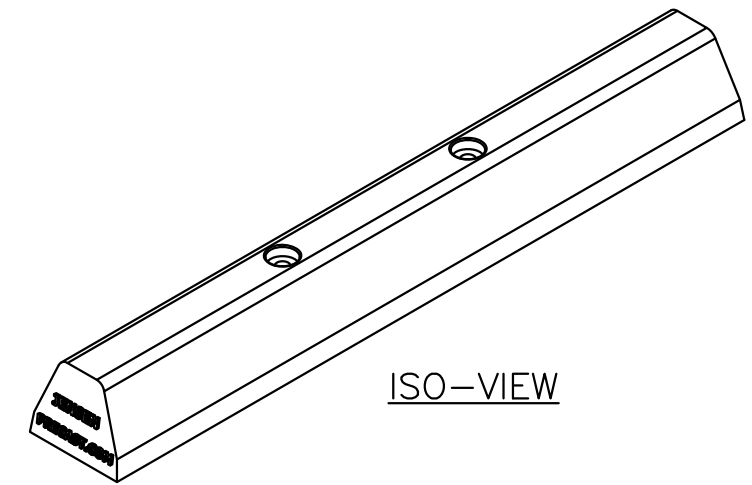


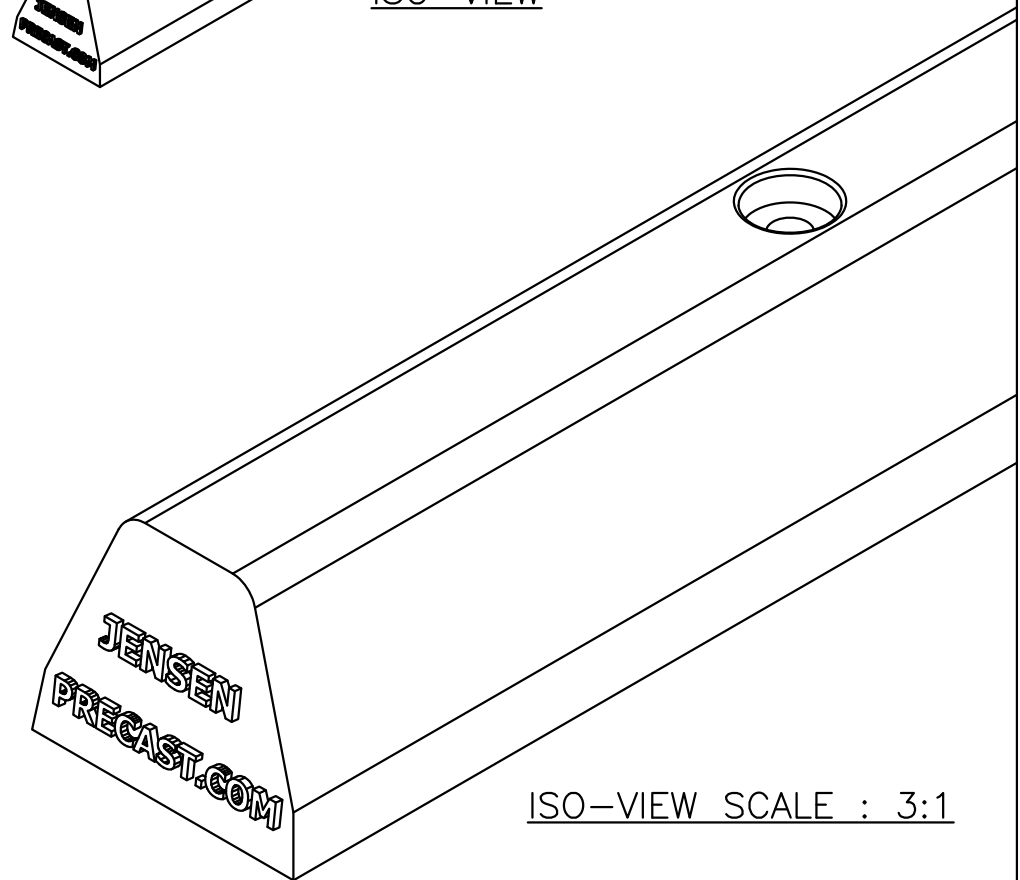
JUBILEE 3' PARKING CURB



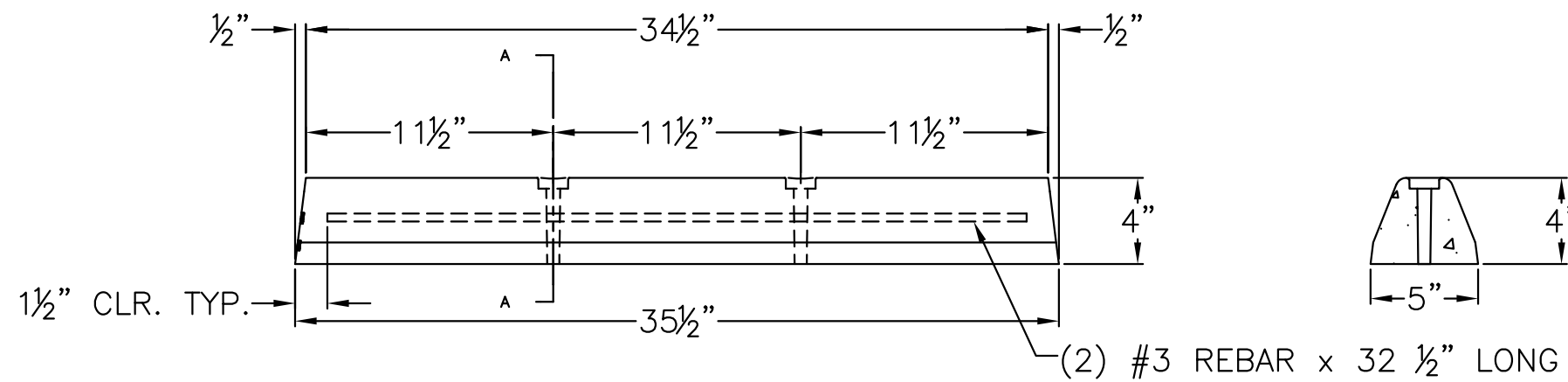
TOP-VIEW



ISO-VIEW



ISO-VIEW SCALE : 3:1



SIDE-VIEW

JENSEN PRECAST[®]

14221 SAN BERNARDINO AVE., FONTANA, CA 92335

THE DESIGN AND DETAIL OF THIS DRAWING ARE THE PROPERTY OF JENSEN PRECAST AND NOT TO BE USED EXCEPT IN CONNECTION WITH ITS OWN WORK. DESIGN AND INVENTION RIGHTS ARE RESERVED.

DRAWN BY: JS	DATE: 03-23-12	SCALE: =1'-0"
36" x 5" CONCRETE ASSEMBLY PARKING CURB 4" HIGH		
DWG. NO.:		
CURB3-L		

WEIGHT: 50 lbs.

#	DATE	DESCRIPTION	BY