

Most versatile table on the market!



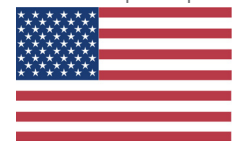
- **500 lb. Patient Weight Capacity**
- **Easy patient transfers with height range of 27.5" to 45.5"**
- **Converts to full featured Urology table in seconds**
- **4 years parts, 1 year labor warranty**

The CFLU401 is the most versatile table on the market, perfect for mobile or stationary use. The easy to use extensions system is designed to allow over or under and left or right side of the table procedures. It can be converted quickly to a full featured Urology table for cystoscopies and other urology procedures.



Certifications: UL 60601-1; CSA C22.2 # 601.1,
IEC 60601-1; IEC 60601-2-32 IEC 60601-1-2

made in the USA
with US & imported parts



CFLU40 |

The features and versatility you need

WORKS WITH ALL PORTABLE LITHOTRIPTERS



MOTION 1

height range 27.5" - 45.5" (69cm - 114cm)



MOTION 2

Trendelenburg tilt +15°-11°



MOTION 3

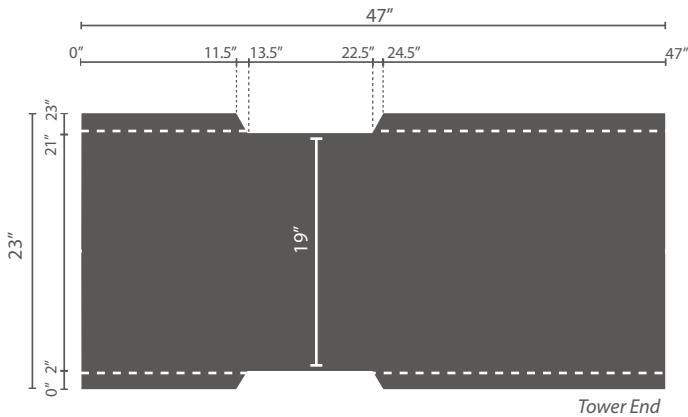
longitudinal travel 10" (25 cm)



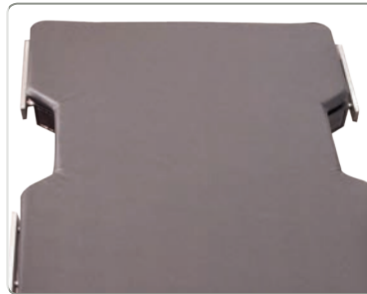
MOTION 4

lateral travel ±4" (10 cm)

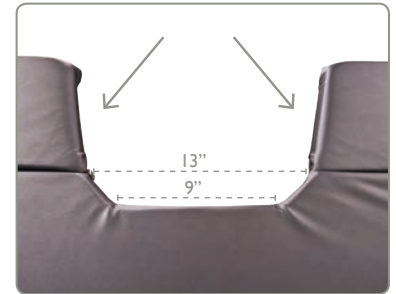
LARGE CARBON FIBER TOP 23" W X 47" L



Tower End



Left & Right Lithotripter access



Angled panels fit recess and can be adjusted along T-rails on each side

HAND RAIL

Easily move your table with included hand rail.



END EXTENSIONS

Lightweight and easy to install. 2 sizes which can be used at either end.



ALL FUNCTION HAND & FOOT CONTROLS



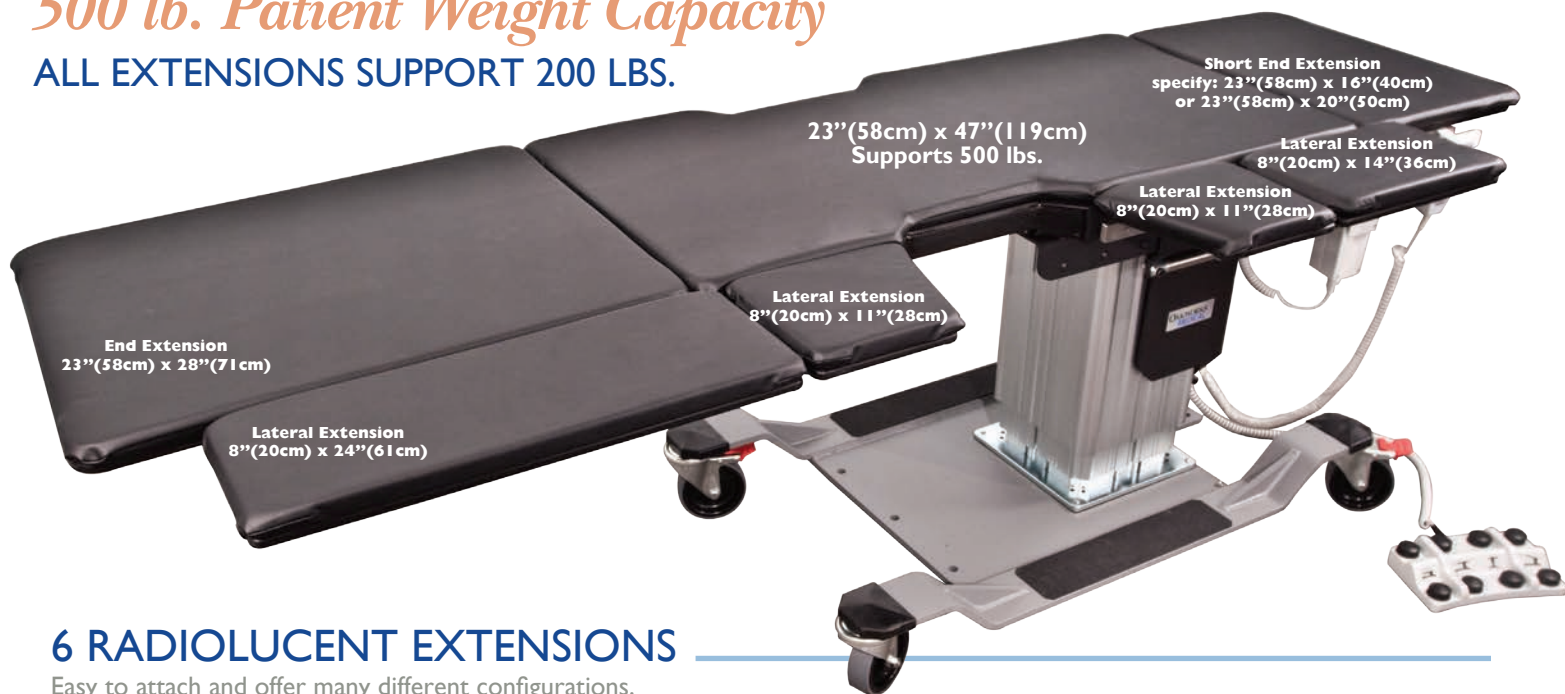
4 Motion Hand Control



4 Motion Foot Control

500 lb. Patient Weight Capacity

ALL EXTENSIONS SUPPORT 200 LBS.



6 RADIOLUCENT EXTENSIONS

Easy to attach and offer many different configurations.



T-RAIL SLIDE & LOCK LATERAL EXTENSIONS

2 end extensions and 4 lateral extensions are included and easily lock onto T-rails on either side of the table.



DIGITAL ANGLE GAUGE

Easy to read digital screen accurately displays angle.

SHOWN WITH UROLOGY CONFIGURATION



Compatible with all legholders using the U.S. standard side Trail attachment systems.

made in the USA
with US & imported parts



CFLU40I PRODUCT SPECS

Lithotripsy Top Dimensions

- Carbon Fiber Top - 23" W x 47" L (58cm x 119cm)
- Imaging Area - 19" W x 23.5" L (48cm x 59cm)
- Extensions - 23" W x 28" L (58cm x 71cm), 23" W x 16" L (58cm x 41cm)

Patient Weight Capacity

- 500 lbs. (227kg.) - table maximum, with or without extensions
- 200 lbs. (90kg.) - each extension

Table Weight

- 618 lbs. (280kg.)

Table Movements

- motion 1 height range 27.5" - 45.5" (69cm - 114cm)
- motion 2 Trendelenburg tilt +15°/-11°
- motion 3 longitudinal travel 10" (25cm)
- motion 4 lateral travel ±4" (10cm)

Electrical

- 120VAC, 8.2 amps, 60 Hz operation

Included Controls

- 1 foot (4 motion), 1 hand (4 motion)

Included Accessories

- Urology Bag Hoop - Model: Urocatch® with integral clamps (bag not included)
- Patient Safety Strap
- Heavy Duty 5" Casters (4" casters optional)
- Industry Standard Full Length T-rails on each side
The Integrated T-Rails are US standard size of .375" (9.5mm) thick by 1.125" (28.6mm) wide.
- 1" Comfort Foam™ Table Top Pad
- Digital Angle Gauge

Included Extensions (Oakworks® extensions only for use on Oakworks® tables)

- (1) End Extension - 23" x 28" (58cm x 71cm)
- (1) Short End Extension - specify: 23" x 16" (58cm x 40cm) or 23" x 20" (58cm x 50cm)
- (1) Lateral Extension - 8" x 24" (20cm x 60cm)
- (1) Lateral Extension - 8" x 14" (20cm x 36cm)
- (2) Angled Lateral Extensions - 8" x 11" (20cm x 28cm)

Table Options

- 4" Casters (4C)

Additional Accessories

- Carbon Fiber Arm Board
- Spine Positioning System
- Fluro-Extender
- 2" Comfort Foam™ Table Top Pad
- Protective Clear PVC Drape

Warranty

- 4 years parts, 1 year labor

Certifications

- FDA listed, cETL approved, CE marked
- UL 60601-1; CSA C22.2 # 601.1,
- IEC 60601-1; IEC 60601-2-32 IEC 60601-1-2

OAKWORKS®
MEDICAL
Position for Success

made in the USA
with US & imported parts



Oakworks® has been providing customers with innovative products, excellent service, and cost effective solutions for over 30 years.

Oakworks® Medical has collaborated with leaders in the medical specialties we serve to create cutting edge designs that balance the needs of both patients and practitioners. We are committed to identifying the needs of our customers and providing solutions that are cost effective.

We are dedicated to your satisfaction and confidently ensure our products will represent excellent value for many years to come.

OAKWORKS®
Medical Tables

CFUR30I

3 motion Urology Table



CFUR40I

4 motion Urology Table



717.235.6807

www.oakworksmed.com