



# ARINC 818 Switches

## Fiber Optic Switching, Splitting, Broadcasting

Great River offers a variety of ARINC 818 switches from our Pantera 4x4 to Techway's 10x10. All support multiple operations: switching, splitting, or broadcasting. All include "smart switching," ensuring that video frames are not broken or corrupted.

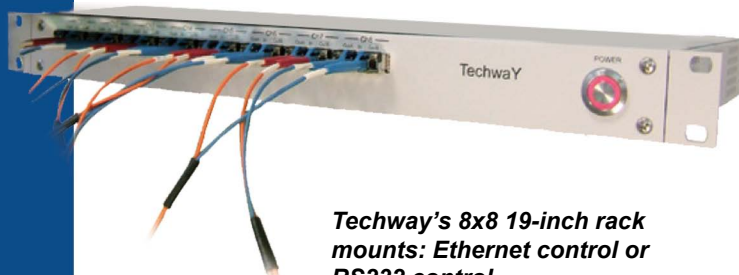
The Pantera is easily configured as a signal splitter for line-spy operations when mated with a Great River Frame Grabber or Stand Alone Module.

### Features

- Link rates to 4.25 Gbps per link (Pantera) or 3.2 Gbps per link (Techway)
- Multicast or broadcast transmission
- Intelligent, synchronous switching of video frames
- Monitoring and control through common web browser and Ethernet link or through RS232 interface
- Test pattern output and customization per ICD available as optional upgrade (Pantera)
- Real-time link monitoring and error counter available as optional upgrade (Pantera)



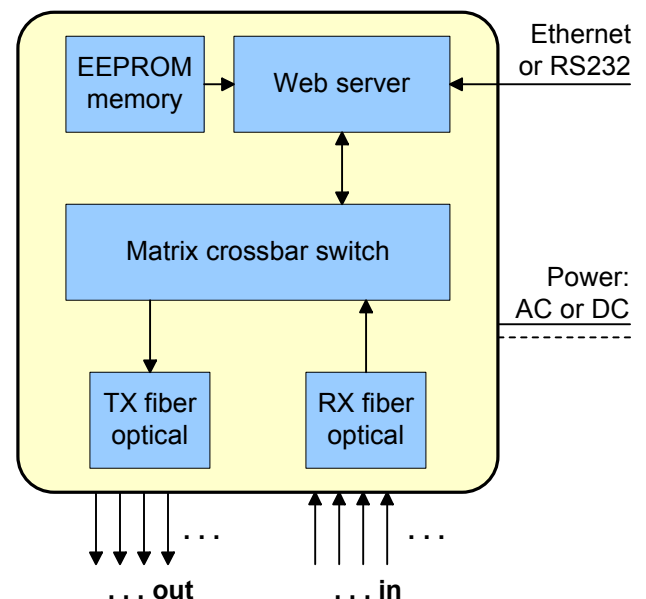
Great River's Pantera:  
4x4 at very high link rates



Techway's 8x8 19-inch rack  
mounts: Ethernet control or  
RS232 control



Techway's 10x10:  
housed in a rugged  
chassis



## Specifications

	Part number	Control	Max rate per link	Channels	Fiber optic wavelength	Splitter <sup>1</sup>	Power requirement	Form factor
Pantera 4x4	See "How to buy" for configurations	Ethernet	4.25 Gbps	4	850 or 1310nm	2-channel	24Vdc <sup>2</sup>	18 x 10.5 x 3.3cm (7.1 x 4.1 x 1.3") case
8x8	PFO-Switch-A818-100	RS232	3.2 Gbps	8	850nm	8-channel <sup>3</sup>	28–48Vdc or 220Vac	48cm (19") rack
8x8	PFO-Switch-A818-300	Ethernet	3.2 Gbps	8	850nm	8-channel <sup>3</sup>	28–48Vdc or 220Vac	48cm (19") rack
10x10	PFO-Switch-A818-200	Ethernet	3.2 Gbps	10	850nm	5-channel	28–48Vdc or 220Vac	Rugged chassis meets DO160 requirements

<sup>1</sup>In splitter mode, an input feeds two outputs. The number of active inputs is limited to half the number of outputs.

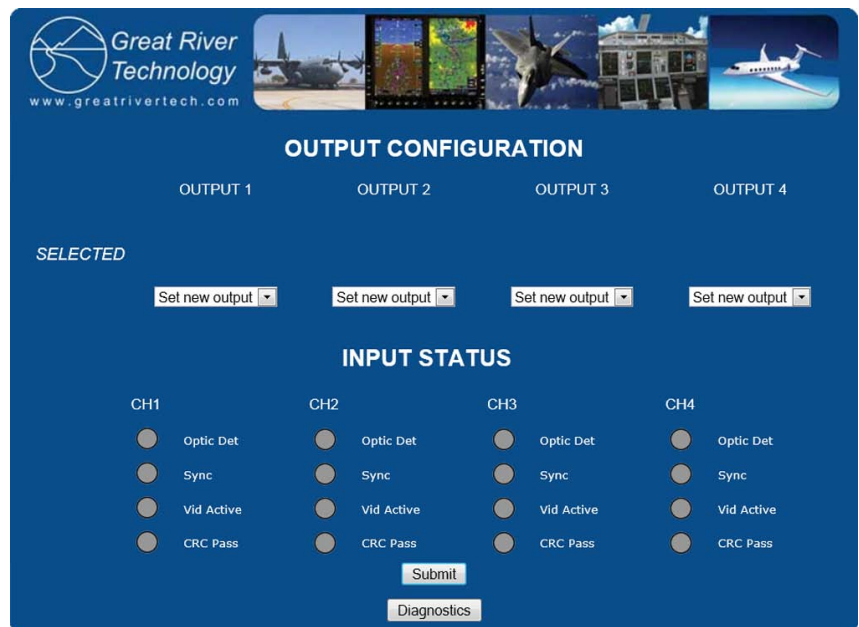
<sup>2</sup>Shipped with switching adapter for 100–250V @ 50–60Hz.

<sup>3</sup>Outputs are electronically duplicated before optical transmitters, allowing each input to be split into two optical outputs.

## Application

There's a GRT switch to match any ARINC 818 need in the lab, on the factory floor, or during flight tests.

- Used as a switch: Link any variety of subsystems—sensors, radar—to mission displays or recorders. Reroute any input to any output.
- Used as a splitter: Each active input feeds two outputs.
- Used as a broadcast device: Send a signal from one active input to multiple outputs or all outputs.

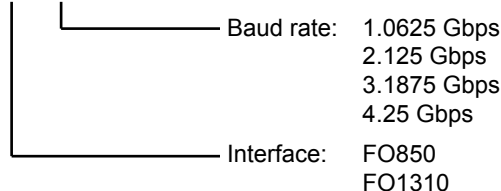


*In the view of a common browser, the Pantera 4x4 shows real-time status of all ARINC 818 inputs and easily maps any input to any output.*

## How to buy

For Great River's Pantera 4x4, create your part number by selecting an interface and baud rate. Add "\_BK" for optional bracket.

PAN4\_ xxx\_ xxx



Example: **PAN4\_FO1310\_4.25\_BK**

Techway part numbers are:

**PFO-Switch-A818-100 (8x8, RS232 control)**

**PFO-Switch-A818-200 (rugged 10x10)**

**PFO-Switch-A818-300 (8x8, Ethernet control)**

To order, visit our [Distributors](#) page:

(<http://www.greatrivertech.com/resources.html>).

If no distributor is listed for your region or country, order directly from [Great River](#).