

# DODGE NEON SRT-4 • CHRYSLER PT CRUISER DYNALITE BIG BRAKE FRONT HAT KIT

### Models Covered:

Dodge Neon SRT-4	2003-2004
Chrysler PT Cruiser	2000-2004

### Kit Features:

- Full bolt-on installation
- Compatible with OE master cylinder output and ABS
- Requires 16" or larger wheels with minimum internal clearances diagramed on page 2

### Component Features:

#### Forged Billet Dynalite Four Piston Calipers

- High strength FEA designed stress-flow forged billet bodies provided highest clamping efficiency and lowest deflection of any caliper in its class.
- Four stainless steel pistons generate high clamping force and balanced pad loading with low heat transfer and high resistance to corrosion.
- Spring loaded stainless steel SRS bridge plates reduce noise by damping engagement harmonics and stopping pad rattle. Bridge wear caused by gouging at the pad trailing edge is also eliminated.
- Internal fluid passages prevent all potential problems associated with external fluid transfer tubes.
- Four corner bleed screws accommodate effective gas evacuation regardless of mounting position.
- Top loaded pads are easily inspected and serviced without the need for caliper removal from the mount.

#### SRP or ULHP Series 12.19" Diameter Rotors

- Increased diameter multiplies stopping leverage over OE diameter rotors.
- 32 vane vented iron design provides high cooling efficiency.
- SRP Series rotors are e-coated to resist corrosion and feature an engineered directional drill and slot pattern for an aggressive high tech appearance inside the wheel. The holes and slots enhance pad performance by reducing pad glazing and dispersing the gasses and some of heat generated during braking.
- HP series full surface rotors are precision machined at less than .001" for total parallelism, flatness, and run-out. This non-drilled version carries additional mass for increased thermal stability in sustained heat competition.

#### Forged Aluminum Rotor Mounting Hats

- Premium grade alloy forged aluminum hats are lightweight and provide sturdy mounting of the vented iron rotors over the OE hub assembly.
- High luster black anodized finish resists corrosion and enhances the custom appearance inside the wheel.

#### Wilwood BP-10 Compound Brake Pads

- Each kit includes BP-10 compound "Smart Pads". BP-10 is a unique metallic composite compound that delivers quiet, low dust performance, but with the improve response, friction, and temperature range of a semi-metallic style pad.

#### Mounting Hardware and Plumbing

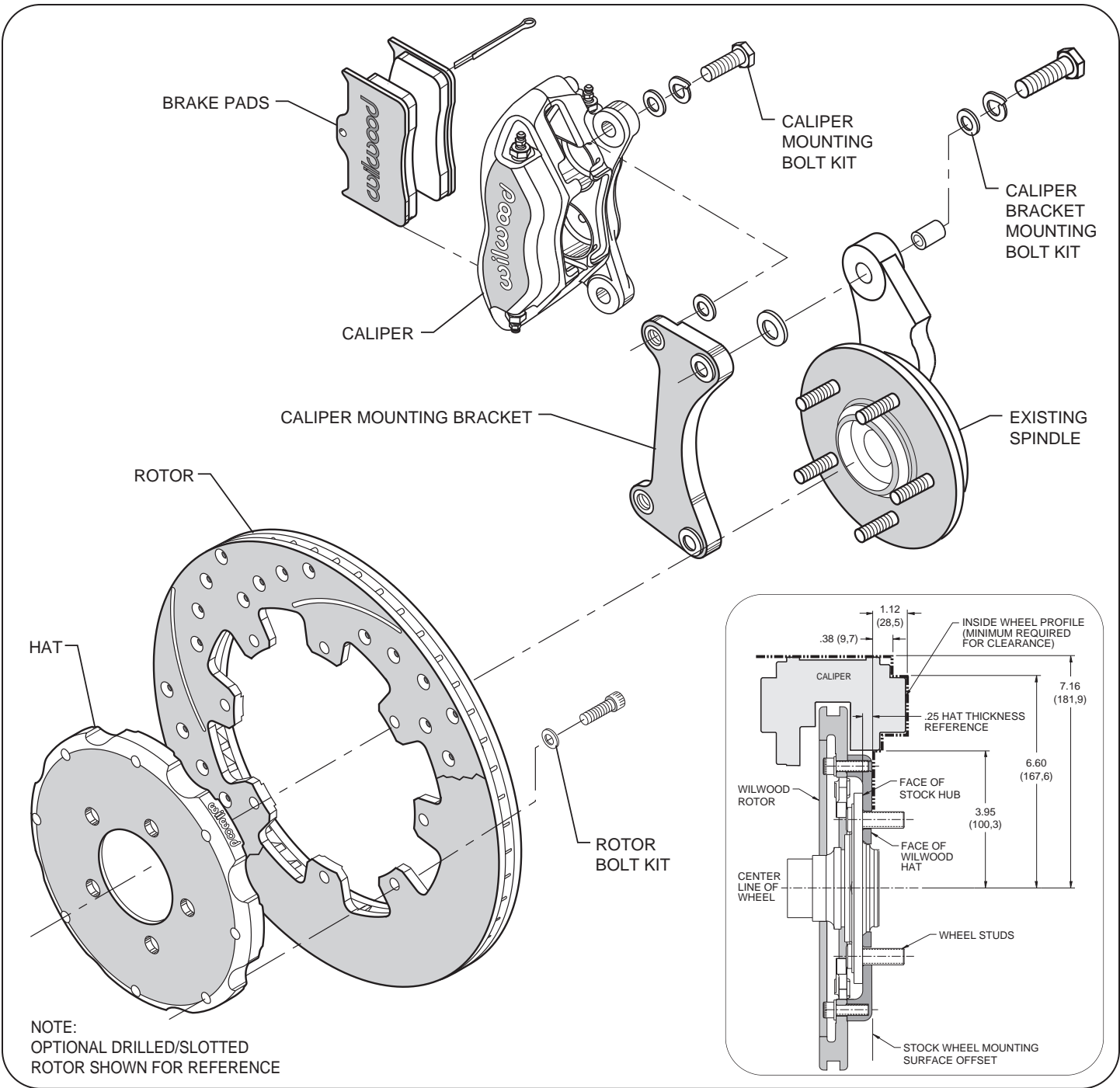
- CNC machined billet aluminum brackets with steel thread inserts provide lightweight, yet sturdy mounting of the Dynalite caliper to the OE caliper mount bosses.
- Premium grade fasteners, washers, and alignment shims are included to complete each installation.
- Optional flex line kits include stainless steel reinforced hoses with machine crimped ends and the fittings necessary to connect the calipers with the OE brake line fitting at the chassis.



**SRT-4 / PT Cruiser Big Brake  
Front Kit with SRP Rotor**

Download a high res photo,  
[click here](#)

**Please check the diagram on the back of this page for minimum inside wheel clearance requirements**



**Typical Installation Diagram, Major Components Identified. Minimum Wheel Fit Dimensions Shown Inset**

**ORDERING INFORMATION: BRAKE AND FLEX LINE KITS:**

MAKE / MODEL	YEAR	HP ROTOR KIT	KIT PART NUMBERS		
			SRP ROTOR KIT	FLEX LINE KITS	
Dodge Neon SRT-4	2003-2004	140-6376	140-6376-D	220-6428	
Chrysler PT Cruiser	2000-2004	140-6376	140-6376-D	220-6428	

**ORDERING INFORMATION: USER SERVICEABLE COMPONENTS, PART NUMBER:**

KIT NUMBER	CALIPER	PAD SET	ROTOR	HAT	ROTOR BOLT KIT	MOUNT BRACKET	CALIPER MOUNT BOLT KIT	MOUNT BRACKET BOLT KIT
140-6376	120-6811	150-8850K	160-5843	170-6378	230-8390	250-6379	230-0204	230-6429
140-6376-D	120-6811	150-8850K	160-7103/04	170-6378	230-8390	250-6379	230-0204	230-6429