

Triple Gel Coat Walk in Tubs – A1A Ultimate Edition

<http://comfortwalkintubs.com/fiberglass-walk-in-tubs/a1a-ultimate-edition/>



A1A Ultimate Edition Tub Features

- Size: 30" W x 54" L x 38" H
- Quick Fill with 42L faucet
- Electronic Touch Control Button for Air and Water Jets and FM Radio
- Our A1A Ultimate Edition has a Leg Massage Only option which is perfect for having a therapeutic massage focus on the lower extremities. The leg massage can be used while waiting for the tub to fill for a full soak or when you want to focus on the legs for therapeutic purposes



7210 Jordan Ave., Suite B20
Canoga Park, CA 91303
Toll Free: 888-399-1211, CA Local: 818-710-1805

A1A Ultimate Edition - Basic Features



- 17 inch Seat Height and 19" Width
- High Gloss Triple Gel Coat Finish
- Water Fill: 45 Gallons
- Safety Grab Bar
- Overflow Protective Drain
- Heavy Duty Reinforced Fiberglass Resin Coated
- Free Standing Stainless Steel Support Frame with Adjustable Leveling Feet
- Heavy Duty Reinforced Door System
- Contoured, Built in Seat
- Built in Grab Bar and Textured Bottom
- Tap/Shower/Faucet Accessory Deck Areas
- Electronic Touch Control for Air and Water Jets and FM Radio
- White Color
- Left or Right Door
- Lifetime limited warranty on stainless steel frame, door, seal, and tub shell. Ten year replacement warranty on fixtures and parts.

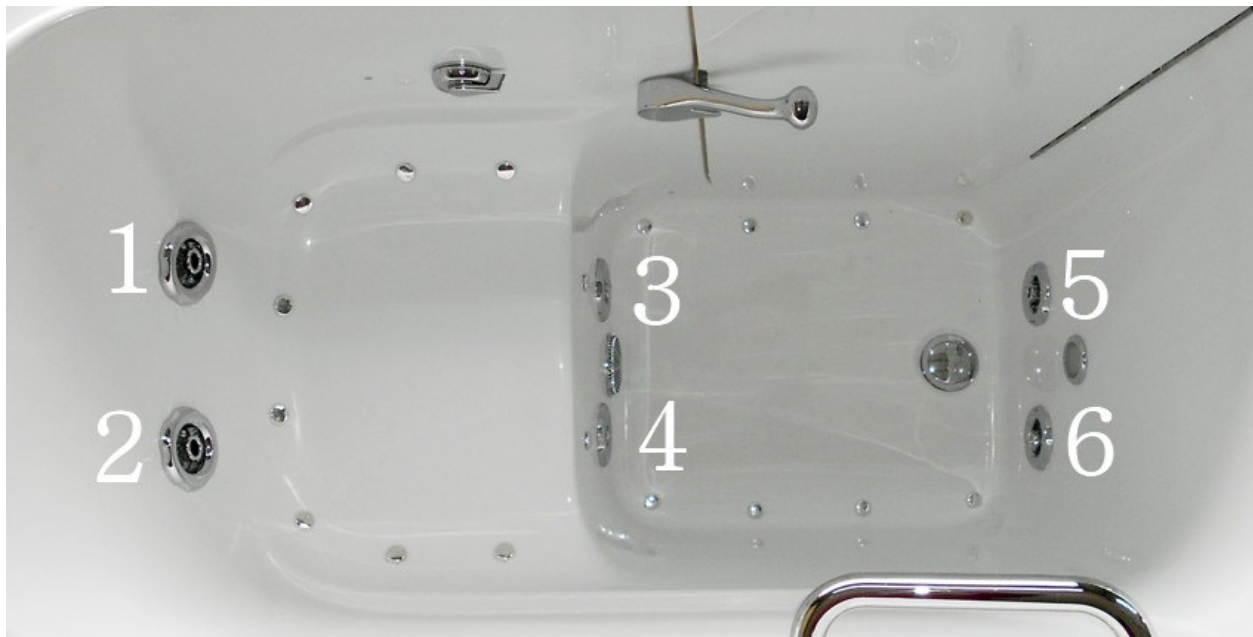
A1A Ultimate Edition – Quick Fill



The Fastest Quick Fill Walk in Tub in the US Market Today

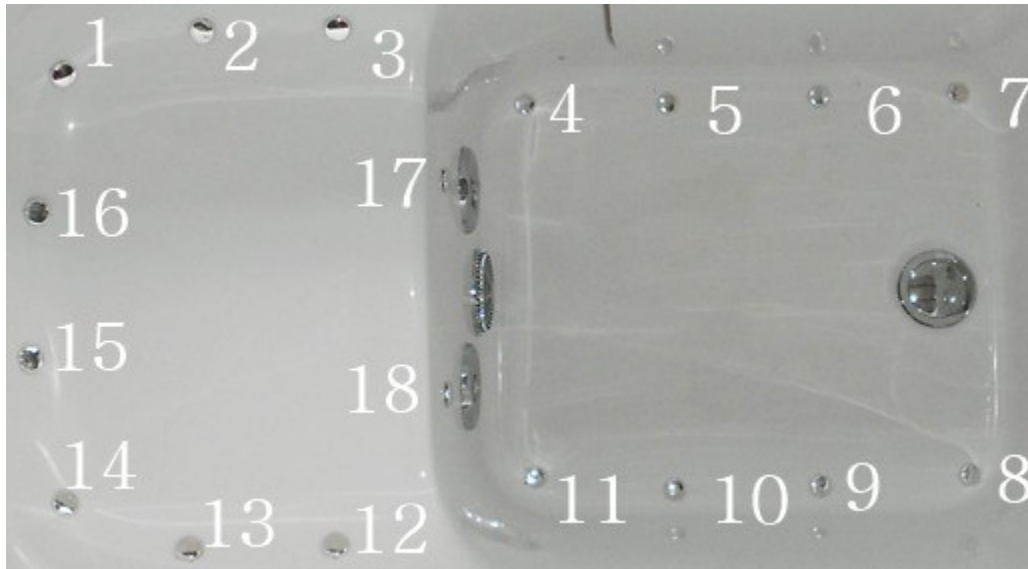
A1A Ultimate Edition Walk in Tub is integrated with a 42 Liter per minute faucet set. Working at full capacity, this revolutionary faucet set can fill the A1A tub in less than 5 minutes. The included thermostatic control mixing valve ensures that the optimal temperature of water flows consistently.

A1A Ultimate Walk in Tub – Water Jets System



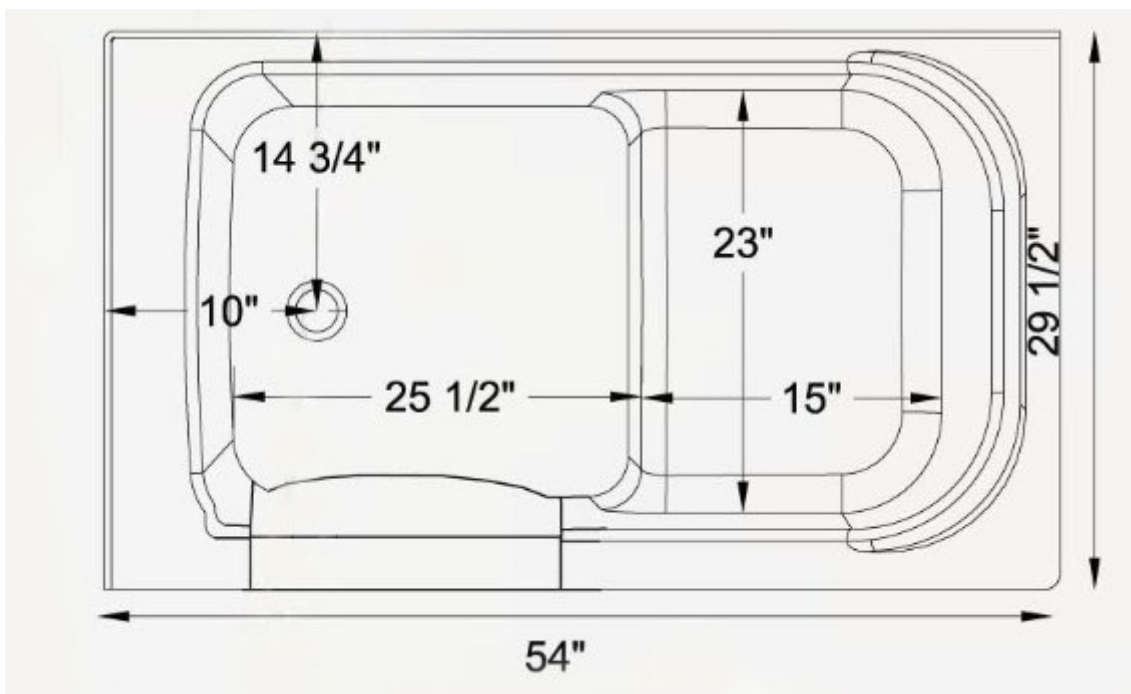
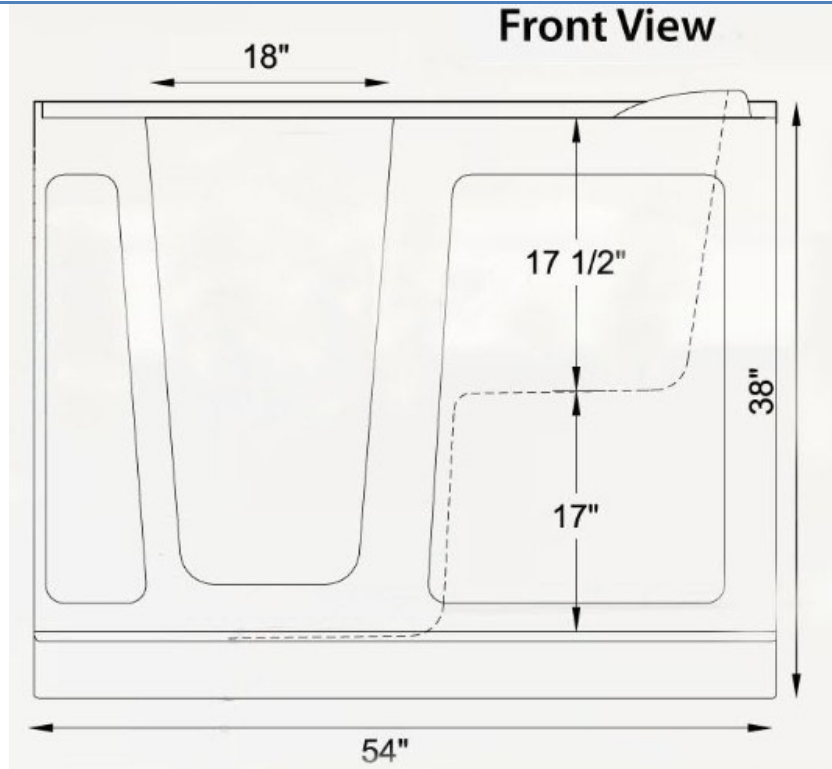
The A1A tub is equipped with six adjustable water jets strategically located to target the back, thighs and legs of the bather. All of the water jets have **360 degrees rotational capabilities** for maximum comfort and versatility. The on/off switch is **electronically controlled** while the whirlpool massage rate controller is pneumatic. It comes with a 1HP water pump and a **2HP Tee heater**. The tee heater is designed to maintain hot water temperature while the jets are in operation, but is not designed to heat existing water inside the tub.

A1A Ultimate Walk in Tub – Air Jets System



The A1A Ultimate Edition walk in tub contains 18 strategically placed air jets. Eight (8) are placed at the tub floor level, located the bottom part of the wall (air jets 4-11). Two (2) air jets are placed for the leg area of the built in seat (see air jets 17 and 18). Eight (8) air jets are placed on the lower portion of the side walls of the built in chair (see air jets number 1-3 and 12-16.) The A1A has a built in **Leg Massage Only** option. It comes with a 0.75HP Electric Air Pump Motor and 550 watt air jet blower. The A1A tub air jets also have an **auto purge or auto clean function**. After bathing, the air jets will automatically evacuate the moisture accumulated in the air jets, ensuring clean, dry jets for your next bath, while preventing stale water that houses bacteria.

A1A Ultimate Walk in Tubs – Top & Front View Specifications



A1A Ultimate Edition (Pictures with Detailed Descriptions)



Quality Chrome Faucet Set

The A1A Ultimate Edition features user friendly functions and has a full body brass designer spout and diverter, with solid chrome plating, making our walk in tubs high in quality, as well as aesthetically appealing in design. Additionally, we equip every A1A Ultimate Edition tub with a self-adjustable thermostatic control valve and a handheld pull-out shower mixer, extending up to 5 feet for convenient showering.

Tile Flange

Molded into the tub is an integral tile flange. This process ensures a watertight installation between the tub deck and the surrounding walls.

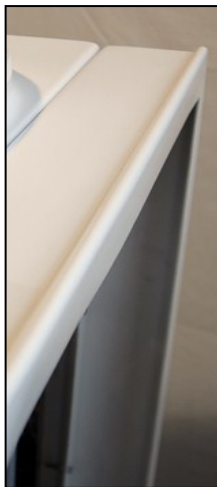


A1A Ultimate Edition (Pictures with Detailed Descriptions)



Safety Grab Bars

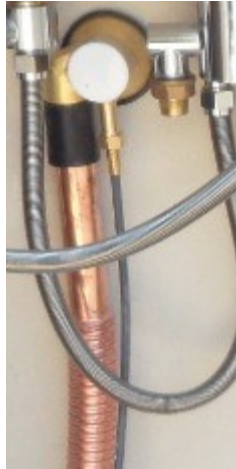
A polished chrome safety grab bar is installed on the back wall, allowing the bather stability while maneuvering inside the tub.



Wall Extension Panels Kit

Our two wall extension panel kit increases the tub length to a full sixty inches, making it the right size for any standard tub opening.

A1A Ultimate Edition (Pictures with Detailed Descriptions)



Waste OverFlow

The A1A Ultimate Edition comes with one large copper overflow pipe for fast, reliable drainage. Operated by mechanical cables to ensure reliability.

42 Liter Faucet Set

Included with the A1A is a 42 Liter per minute faucet set, with a counterpart thermostatic mixing valve for consistent water temperature. Working at full capacity the A1A faucet set is able to fill the tub in less than 5 minutes.



A1A Ultimate Edition (Pictures with Detailed Descriptions)



Anti-Scald Valve

The A1A comes with a pre-set thermostatic control valve that prevents scalding, and a slip-resistant textured tub floor for added protection.



Guitar Shaped Door Handle

The A1A's ergonomically shaped and strategically placed door handle has a stylish design, as well as being ADA compliant. The door handle requires minimal grip strength and does not involve risky twisting to operate for the bather's safety and convenience.

A1A Ultimate Edition (Pictures with Detailed Descriptions)



Hydro Jets

Six hydro jets with an adjustable air flow control are strategically placed throughout the A1A tub. Two hydro jets are located in the back of the seat for spine and back massage. Two hydro jets are placed in the leg support portion of the seat for hip and leg massage. The last two hydro jets are located on the front wall for leg massage enjoyment.



Air Jets

The A1A features 18 strategically placed air jets. Eight air jets are mounted along the bottom perimeter of the floor, not under the bather's feet, generating thousands of heated air bubbles. Eight air jets are located on the seat for buttocks massage and two air jets are mounted on the leg wall of the seat for the Leg Massage Only function and auto clean function.



7210 Jordan Ave., Suite B20
Canoga Park, CA 91303
Toll Free: 888-399-1211, CA Local: 818-710-1805

A1A Ultimate Edition (Pictures with Detailed Descriptions)



One Piece Construction

The A1A one piece construction ensures that no weak points or fatigue exist around the tub and the door frame area, reducing any chance of leakage from the door seal.

6 Leveling Feet

Six adjustable feet, with rubber bases, are provided for leveling, as well as to provide a sturdy foundation for the tub.





7210 Jordan Ave., Suite B20
Canoga Park, CA 91303
Toll Free: 888-399-1211, CA Local: 818-710-1805

A1A Ultimate Edition (Pictures with Detailed Descriptions)



Inline Water Heater

2HP Tee Heater keeps temperature consistent with UL Standards.



Stainless Steel Frame

The A1A stainless steel frame provides a frame that will withstand the test of time. Two types of frames are incorporated, stainless steel as well as powder coated steel.

A1A Ultimate Edition (Pictures with Detailed Descriptions)



Hydro Pump

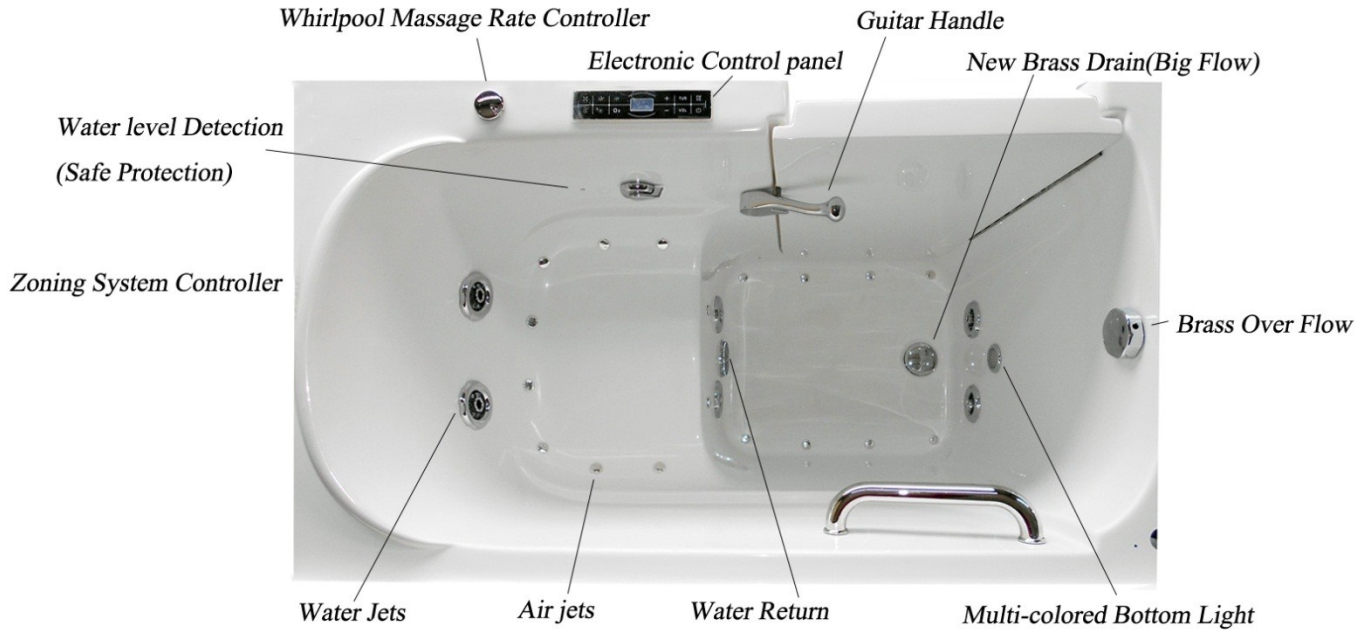
Our Whirlpool Bath Pump uses one (1) horse power or 900 Watts.



Blower

Our variable speed heated air blower provides a powerful stream of air, while the muffler significantly reduces the sound of the motor.

A1A Ultimate Edition - (Detailed Legend)



This picture shows the Fiber-Glass walk in tubs premier edition top view with legends of premium features



A1A Ultimate Edition - (Access Panels)



Access Panels

There are two removable front access panels, and one end removable access panel for easy access to all walk in tub parts, in the event that service is needed.