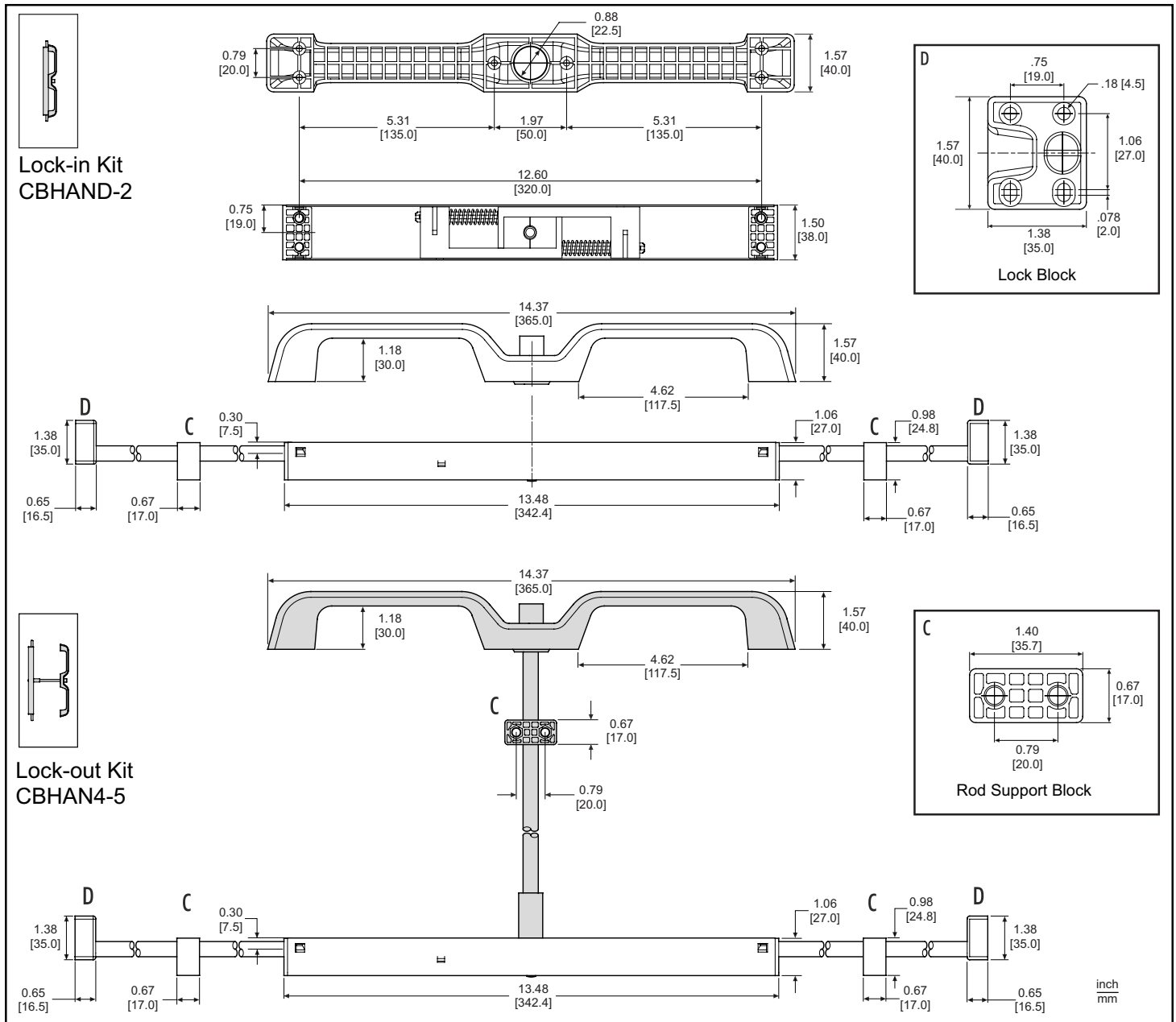


Applications: Designed for mobile applications where lock-in and lock-out provide a measure of safety. Compatible with slide models 7950, 7957, 9301, and other slides with cross sections measuring .75" [17.5mm] and above.

Corrosion Resistant
Lightweight Components
Push-Button Release



Locking Options Front mounted unit – lock-in only (CBHAND-2)
Rear mounted unit – lock-out (requires P/N CBHAN4-5)

Note: The addition of the lock out conversion kit requires an additional threaded bar to connect push buttons (not included).

Rod Lengths 19.7" [500mm] rods, applications up to 44" [1122mm] wide (CBHAN3-0100-2)
29.5" [750mm] rods, applications up to 64" [1622mm] wide (CBHAN3-0150-2)

Material Thickness Maximum material thickness on drawer front = ½" [12 mm]

Load Rating Dependent on slides used

Hardware M5 screws (not included)

NOTE: Lock-out not intended for use with over travel slides.

Note: Although SAE dimensions have been noted, in some cases, the metric dimensions provide greater accuracy.

Cutting the rods

1. Select the length of rod based on the drawer width.
To determine rod length (**See figure 1**):

Using Accuride Lock Block:

Cavity/cabinet width (**B**) – 4.81 [122.3mm] ÷ 2

Without Accuride Lock Block:

Lock to lock – 3.52 [89.3mm] ÷ 2

2. Using a 3mm or #32 drill bit, drill a hole 8mm [.315"] from the end of each rod section. It is recommended a drill press and center-finder for round stock is used for this operation. (**See figure 2**)
3. The rod ends opposite of the holes should be chamfered or rounded to ease movement in and out of the lock block segments of the assembly.

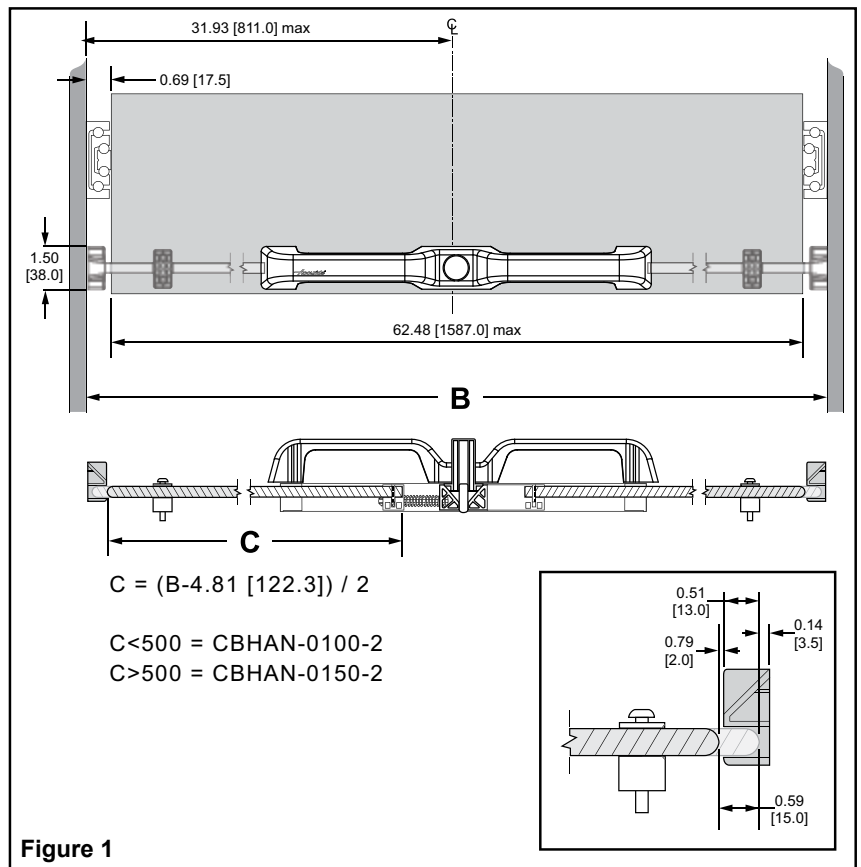
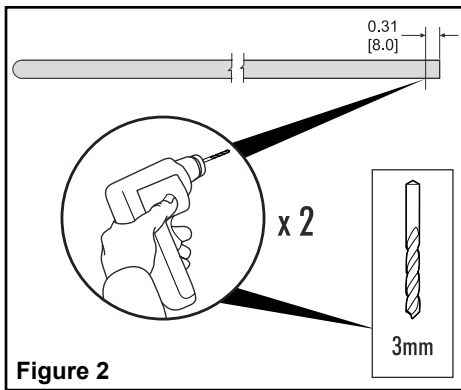


Figure 1

Drawer Box Prep

Handle and mechanism mounted below drawer box

Lock-in mounting

1. Drill fixing and push-button holes for the handle, mechanism, and bar support blocks (see figure 3a). The material thickness should not be greater than .5" [12mm] or the push button will not operate properly.

Important: The height of handle assembly is 1.5" [38mm]. The horizontal center of the assembly must be located at least .75" [19mm] below the bottom of the drawer to provide clearance for the mechanism and rod.

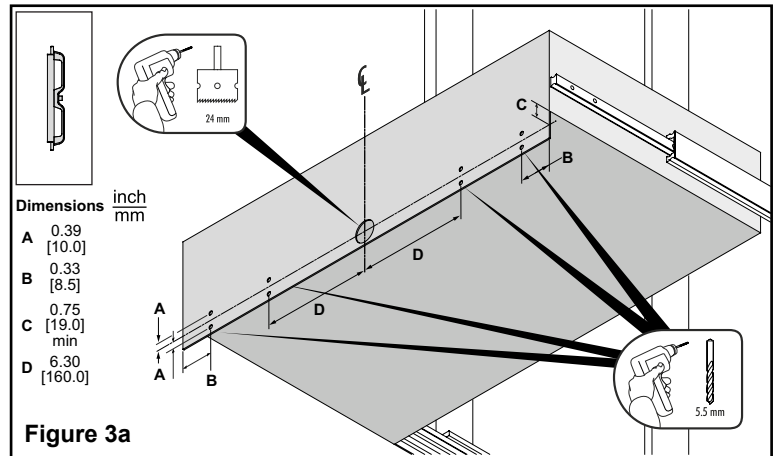


Figure 3a

Lock-in and Lock-out mounting

1. Drill fixing and push-button holes to mount handle, mechanism, and bar support blocks. See figure 3b for hole locations. The material thickness should not be greater than .5" [12mm].

For installations where the handle is positioned on the front of the drawer box, with the mechanism inside, see Figure 7b.

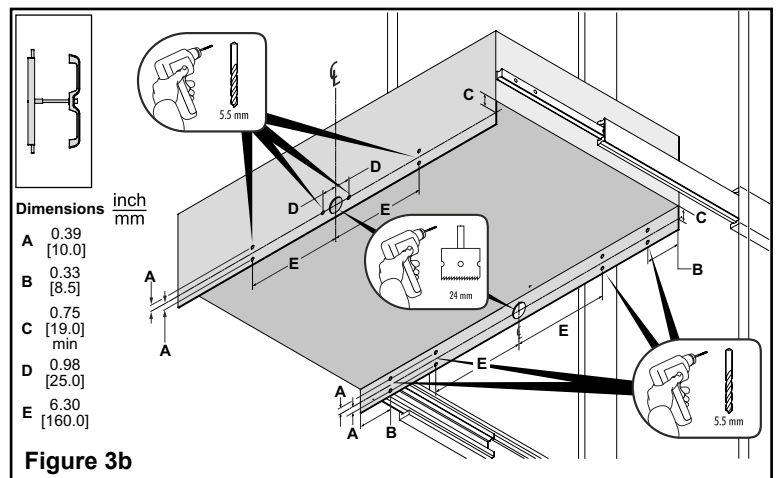


Figure 3b

Lock Block Installation - Lock-in/Lock-out

1. Drill fixing holes for the lock blocks. See **Figure 4a** (lock-in only) or **Figure 4b** (additional lock-out). The center of the lock block should line up with the centerline of the fixing holes for the handle and mechanism. The center of the rod = center of the lock block hole.

The center of the rod is .30" [7.5mm] from the front edge of the mechanism. The lock block will sit slightly closer to the front of the cabinet.

Note: The lock blocks must be located a minimum of .24" [6mm] below the outer member of the slide if it is positioned flush at the bottom of the drawer.

See **Figure 1a** for engagement and clearance dimensions if you are not using the Accuride lock blocks.

2. Install lock blocks. Fasteners are chosen based on cabinet/case material. (**Figure 5a**)

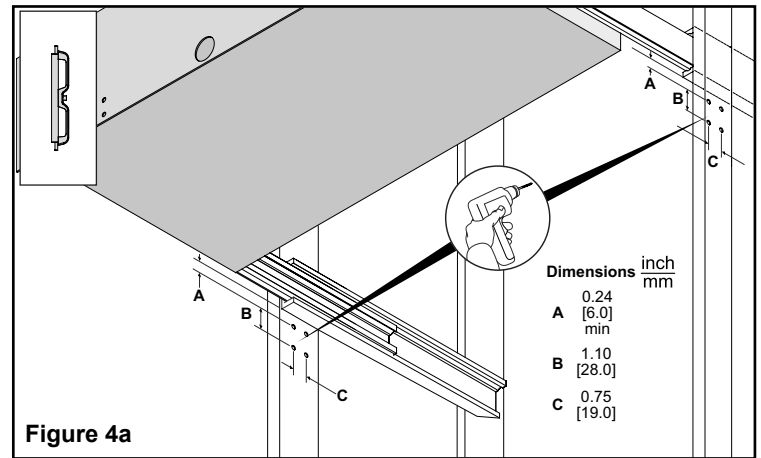


Figure 4a

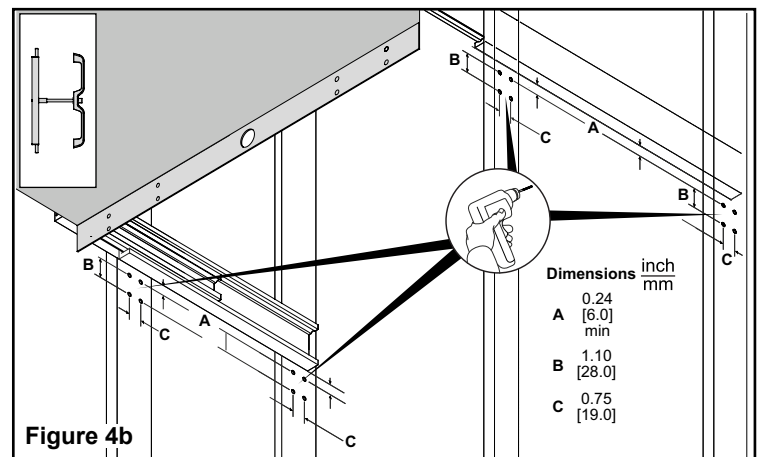


Figure 4b

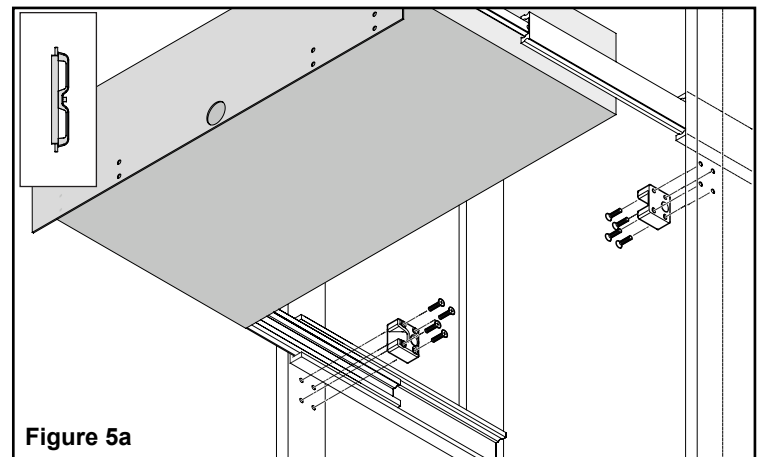


Figure 5a

3. For lock-out installations, measure and drill holes in the base of the drawer for the rod guide bracket (**Figure 5b**).

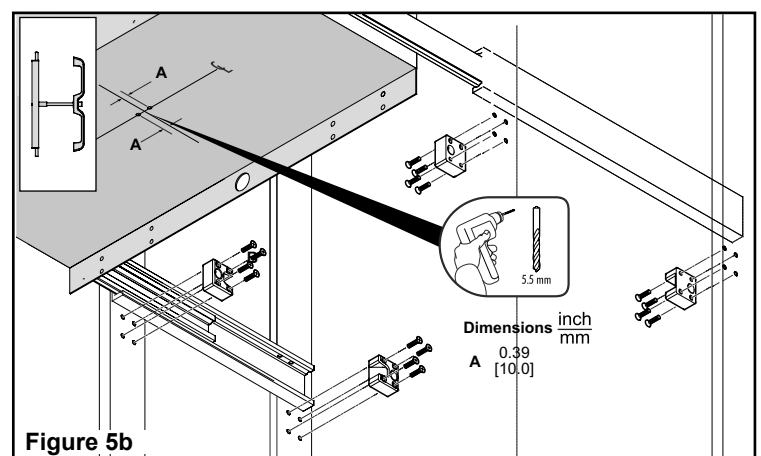
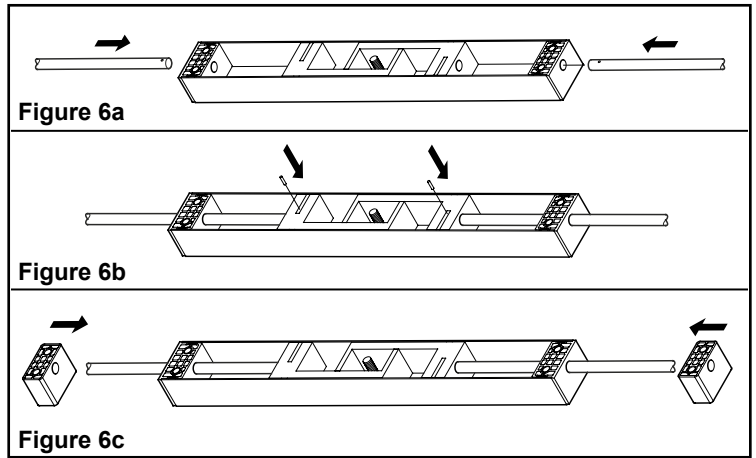


Figure 5b

Mechanism Assembly

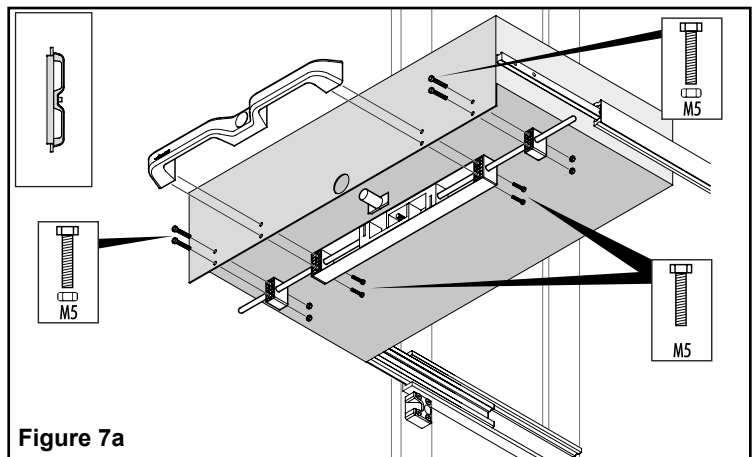
1. Insert the rods into the handle mechanism (**Figure 6a**).
2. Install pins by tapping into place. Ensure that pins are flush or underflush (**Figure 6b**).
3. Thread bar support blocks on to the rods (**Figure 6c**).



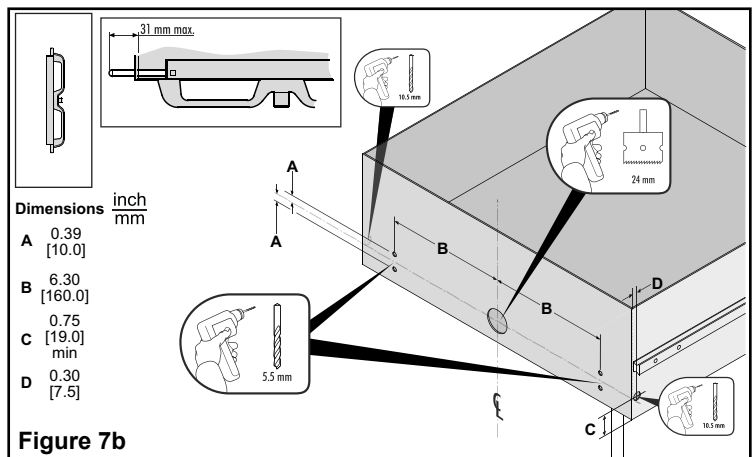
Handle and Mechanism Installation

Lock-in only

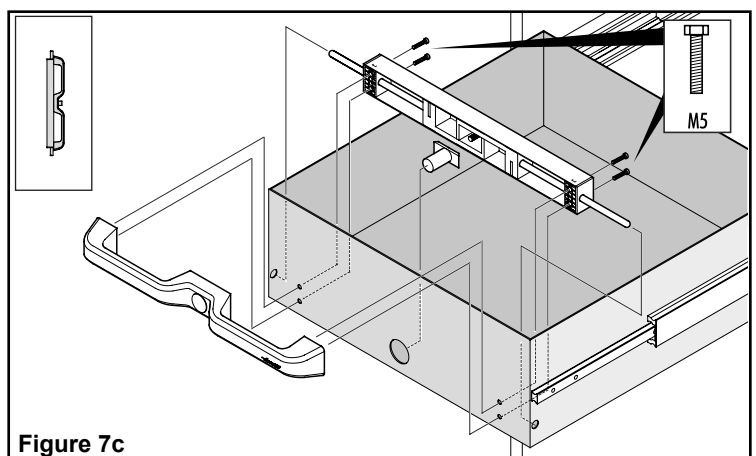
1. Using M5 fasteners, install the mechanism, push button, and double handle to front of drawer as shown in **Figure 7a**.



2. The lock mechanism may also be installed inside the drawer. Care must be taken with the measurements to ensure the mechanism (with rods attached) can be installed into the space and operate without interference (**Figure 7b**).



3. The locking rod must be measured carefully from the inside of the drawer side so that it extends a maximum of 1.22" [31mm] (**Figure 7c**).

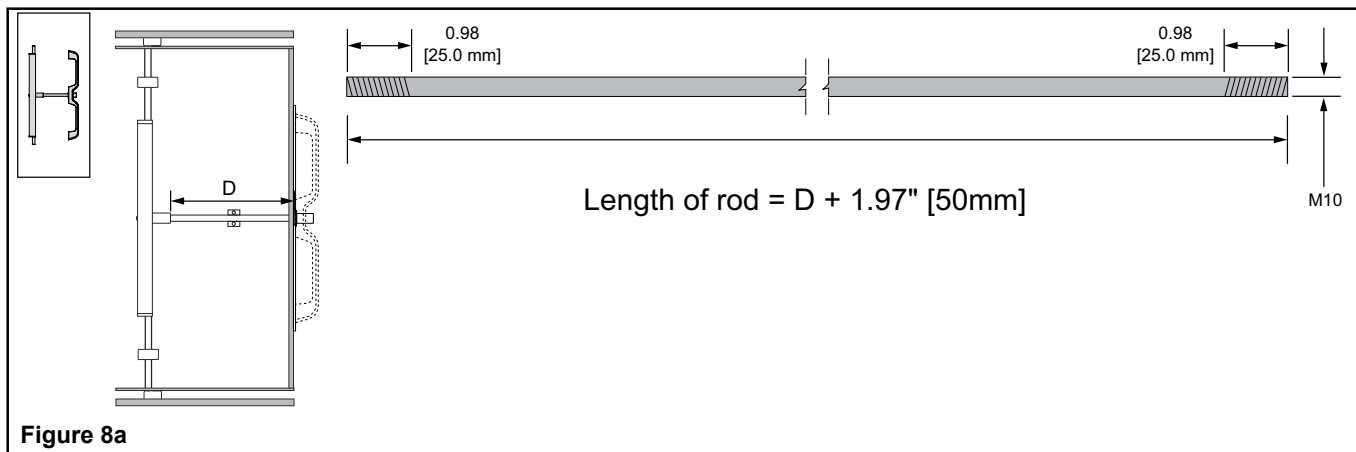


Handle and Mechanism Installation

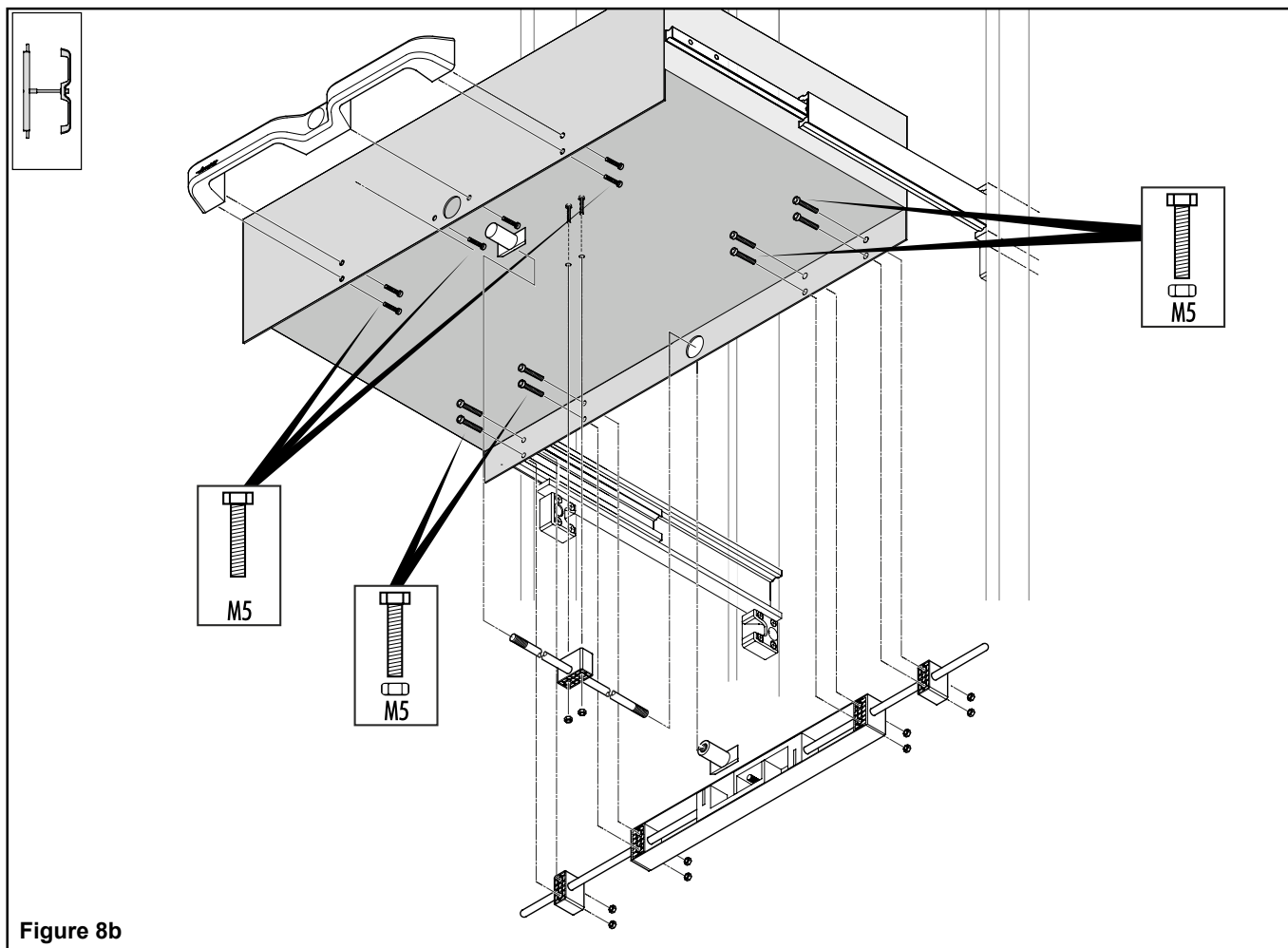
Lock-out kit

1. The lock-out feature requires a customer-supplied 10mm rod threaded to M10 for a minimum of .98" [25mm] at each end to connect push buttons (**Figure 8a**).
2. To determine rod length, measure from the outside of the drawer front to the front edge of the rear push button.

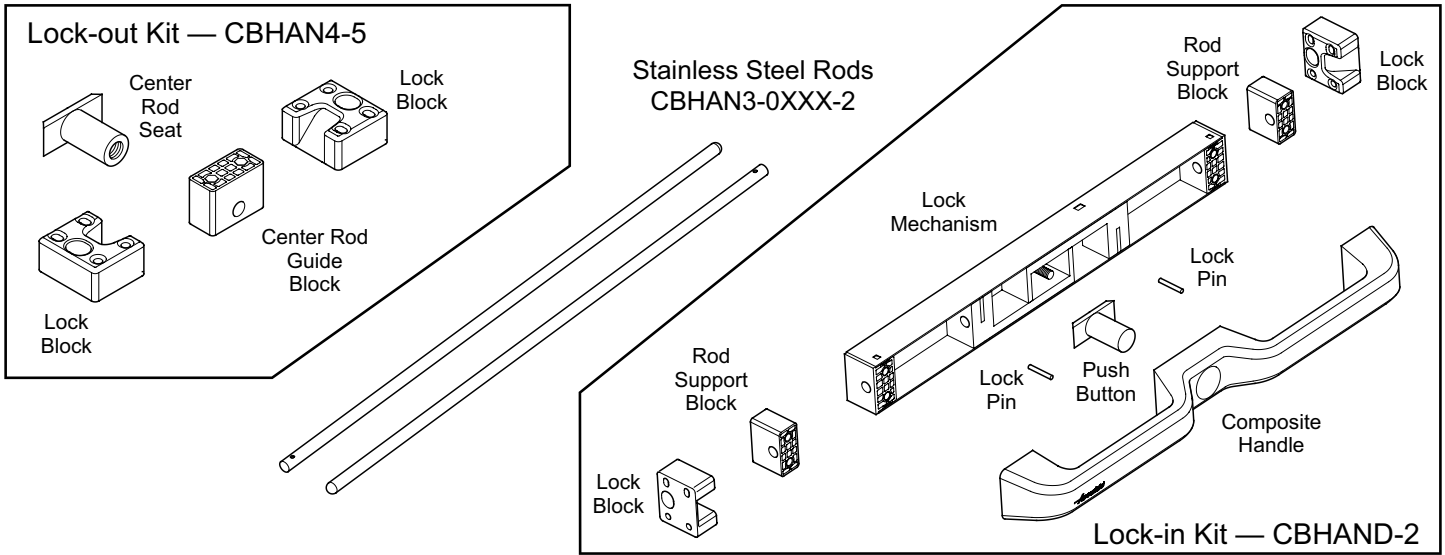
$$\text{Length of rod} = D + 1.97" [50\text{mm}].$$



3. Fit handle to front of drawer. Insert front push button and screw in the 10mm rod. Push rod guide-block on to the rod. Insert rear button through hole in rear of drawer and screw into the 10mm rod. Attach mechanism to rear of drawer. Fix lock rod support blocks and 10mm rod guide bracket (**Figure 8b**).



CBHAND- 2 includes the handle components and lock mechanism for lock-in only.
To add the lock-out function, a separate conversion kit is required.



Part Number	Description	Components
CBHAND-2	Handle Kit w/ lock-in	1 - handle, mechanism, and push button 2 - bar support blocks, lock blocks, and pins
CBHAN3-0100-2	Stainless Steel Rods	2 - 19.7" [500mm] rods
CBHAN3-0150-2	Stainless Steel Rods	2 - 29.5" [750mm] rods
CBHAN4-5	Lock-out Conversion Kit	2 - push buttons and lock blocks 1 - guide bracket

Order example

Lock-in + Lock-out conversion kit:

	Qty
CBHAND-2	1 ea.
CBHAN3-0150-2	1 ea.
CBHAN4-5	1 ea.

Specifications

Rods: Stainless Steel

Handle and Mechanism: Metal / Polymer

RoHS compliant

Note: Specifications, materials, prices, terms and delivery are subject to change without notice.



ACCURIDE INTERNATIONAL INC.

12311 Shoemaker Avenue
Santa Fe Springs, CA 90670

TEL (562) 903-0200

FAX (562) 903-0208

www accuride.com

Manufacturing, Engineering, and Sales

United States • Germany • Japan • Mexico • United Kingdom • China