



Main Features

- 8" SVGA TFT LCD monitor
- Automatic/ Manual brightness control
- Remote system power control
- On screen control buttons
- Support USB 2.0 and card reader
- Camera sensor on front panel (Optional)
- Sunlight readable solution with 1000cd/m² high brightness support
- Front panel compliant with IP54

Product Overview

VMD 2000 is an 8-inch TFT LCD monitor with 4 wire resistant touch screen sensor. With the high brightness display and automatically brightness control, it is designed for in-vehicle applications. It also provides USB and card reader features, and reserves camera sensor as an option. Those friendly interfaces benefit the technicians during maintenances. Its front panel is compliant to IP54 to meet with industrial applications. VMD 2000 can perfectly match with any VTC series devices via the 26-pin LVDS cable.

Specifications

LCD Panel

- 8-inch TFT LCD panel with LED backlight
- 800 x 600 pixels (SVGA)
- Brightness: 500 cd/m² (typical)
- Contrast ratio: 500:1 (typical)

Touch Screen Sensor

- 4-wire resistant touch
- Anti-glare coating surface
- Transmission rate: 82 ± 3%

Front Panel

- Control buttons x 5
 - Power on/off
 - Volume control (+/-)
 - Brightness control (+/-)
- Light sensor
- LED indicators x 2
- Built-in speakers (1W) x 2

Rear Side I/O

- 1 x SD/ MMC/ MS card reader
- LVDS connector (integrating LVDS, USBx 1 and 12Vdc x 1)
- Stereo audio (Line-out) x 1 (automatic detection/ switch to external speaker)
- 1 x Mic-in
- 1 x Min-out
- 1 x Audio input
- 1 x USB
- Remote system power on/off button

Optional Features

- 2.0M pixels CCD camera on front panel
- Sunlight-Readable Display with High Brightness LCD (1000 cd/m²)
- Support VESA mount kit

Dimensions

- 207mm (W) x 173mm (H) x 36.7mm (D)
- 0.7 Kg (1.54 Lb)

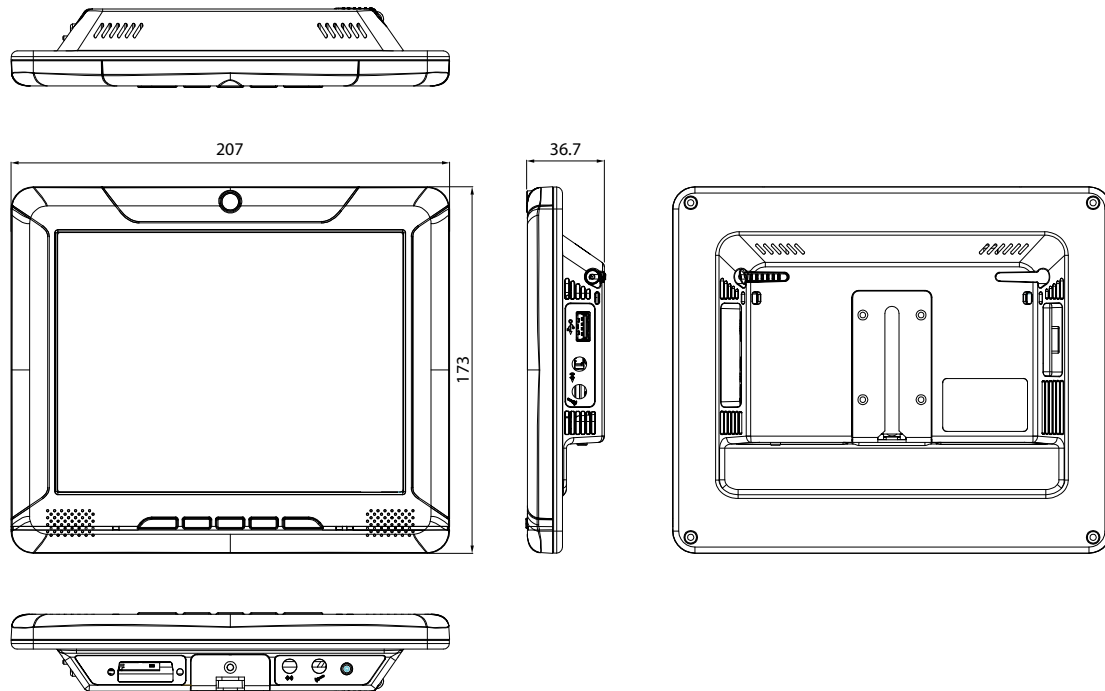
Environment

- Operating temperature: -20°C to 60°C
- Storage temperature: -30°C to 70°C

Certifications

- CE approval
- FCC Class B

Dimension Drawing



Ordering Information

- **VMD 2000 (P/N: 10VD020000X0)**
8" SVGA vehicle mount display with touch screen and LVDS interface
- **VMD 2000-BS (P/N: TBD)**
8" SVGA vehicle mount display with touch screen, LVDS and sunlight readable
- **VMD 2000-P (P/N: TBD)**
8" SVGA vehicle mount display with touch screen, LVDS and CCD camera
- **VMD 2000-PS (P/N: TBD)**
8" SVGA vehicle mount display with touch screen, LVDS, CCD camera and sunlight readable
- **Bundle Accessories**
LVDS cable (1.5M)
Audio cable
Cable fastener
CD-ROM x 1