

4100

Electric Strike Metal Frame Preparation for Faceplates

CC, MHO, and MMO



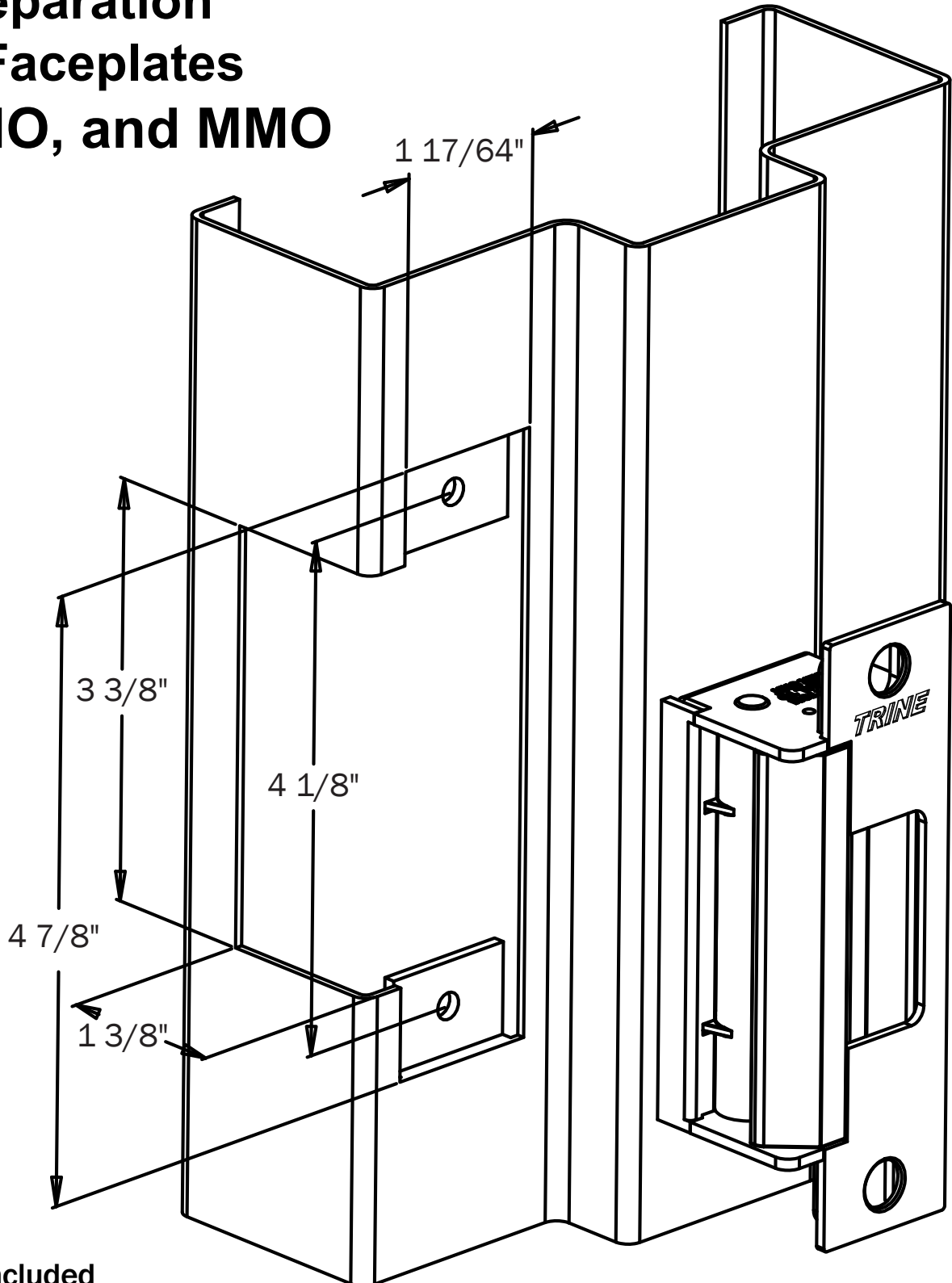
1440 Ferris Place • Bronx • New York • 10461-3699

Telephone Number: (718) 829-2332

Fax Number: (718) 829-6405

Email: CustomerService@Trineonline.com

Website: www.Trineonline.com



Use the included
Premium Trim Skirt
to clean up your cut line.

4100

Electric Strike Metal Frame Preparation the MLO Faceplate



1440 Ferris Place • Bronx • New York • 10461-3699

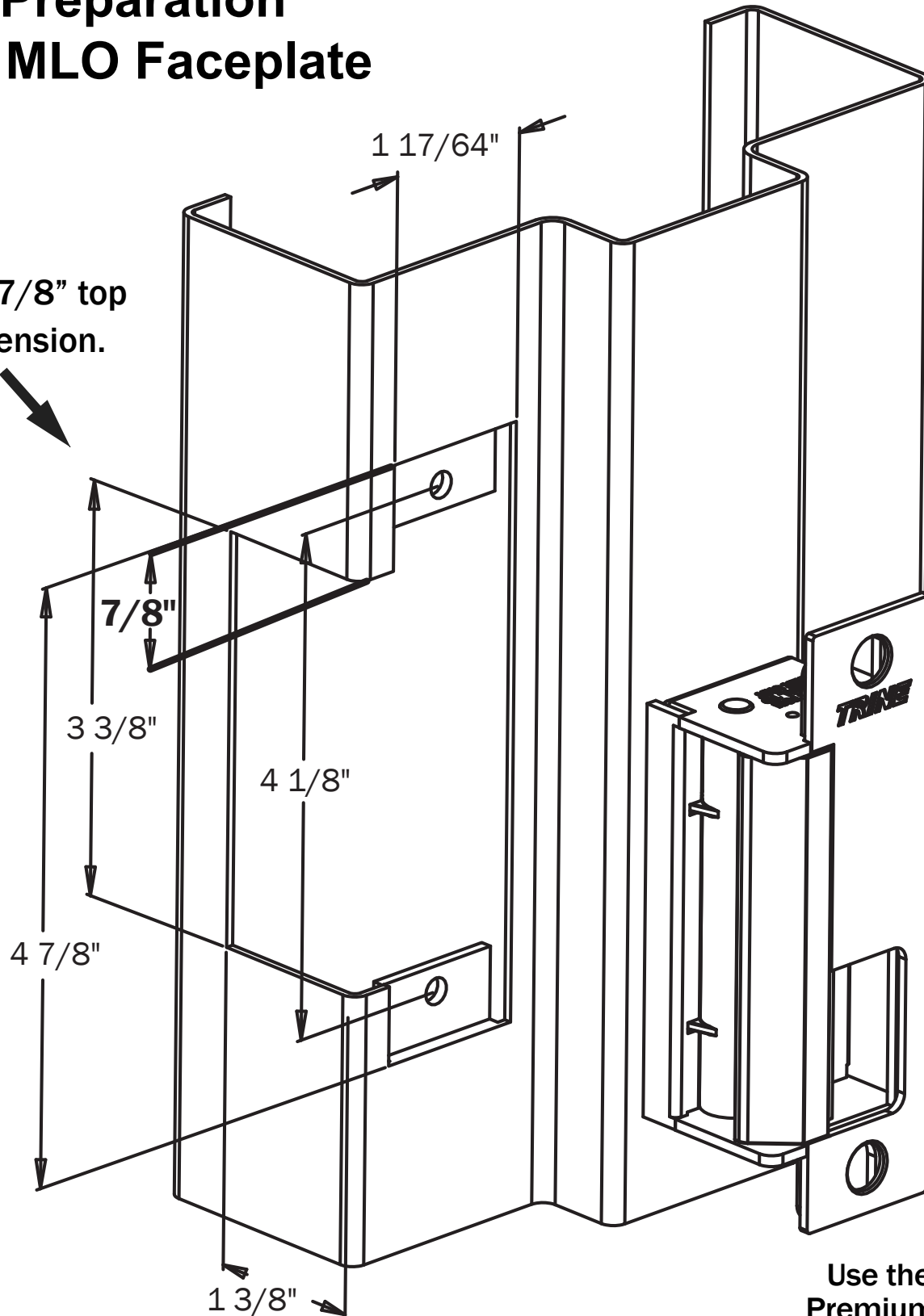
Telephone Number: (718) 829-2332

Fax Number: (718) 829-6405

Email: CustomerService@Trineonline.com

Website: www.Trineonline.com

Note 7/8" top
dimension.



Use the included
Premium Trim Skirt
to clean up your cut line.

4100

Electric Strike Wood Frame Preparation



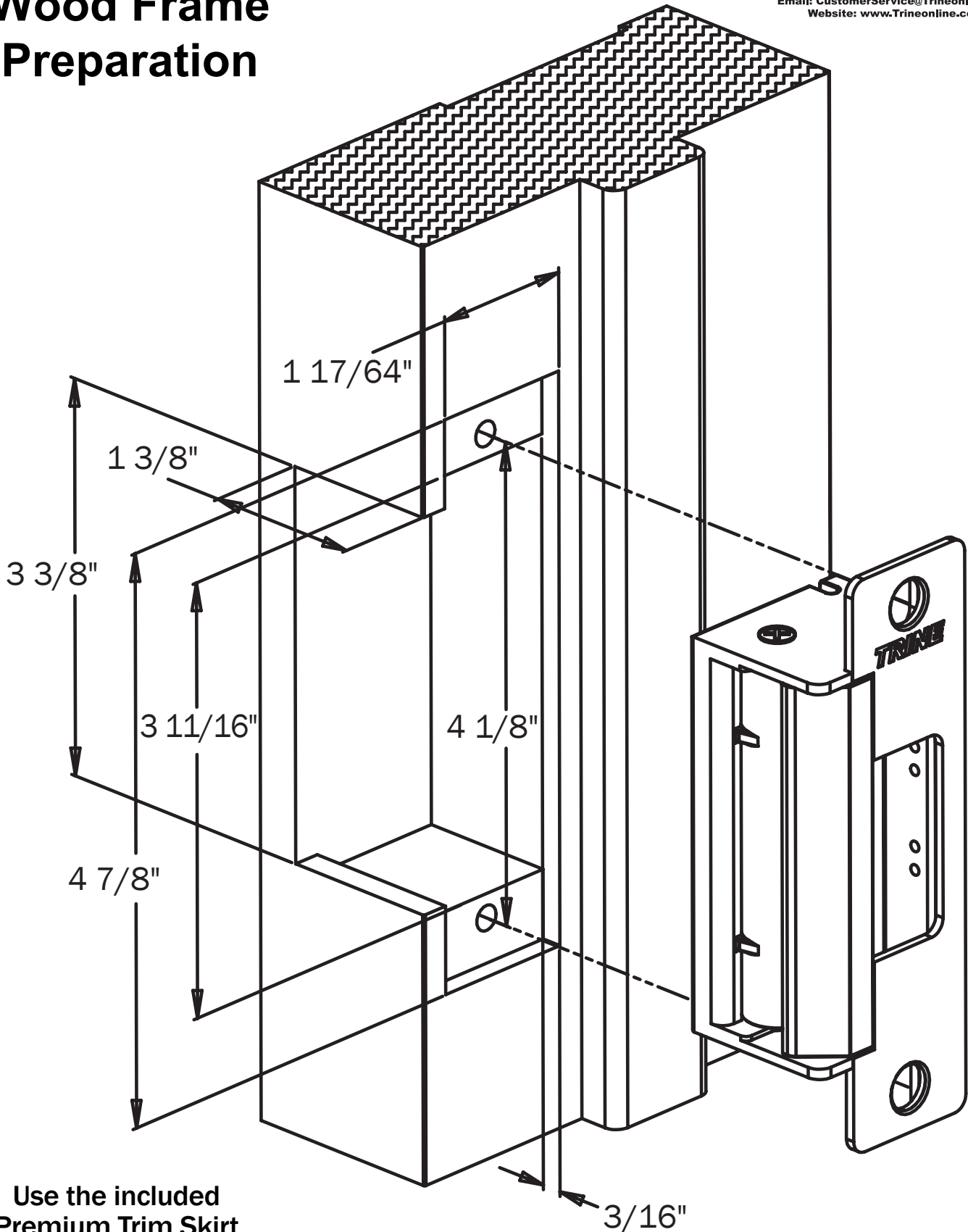
1440 Ferris Place • Bronx • New York • 10461-3699

Telephone Number: (718) 829-2332

Fax Number: (718) 829-6405

Email: CustomerService@Trineonline.com

Website: www.Trineonline.com



Use the included
Premium Trim Skirt
to clean up your cut line.