

SD-900™

The SD-900 is the smart choice for automatic, inline adhesive application. Designed to quickly, cleanly and easily apply Glue Dots™ Brand Adhesives, the SD-900 seamlessly integrates into your existing production line. Competitively priced against most hot melt systems, the SD-900 reduces your operating and maintenance cost by eliminating waste and cleaning, and increases worker safety by eliminating the risk of burn injuries. **The SD-900 is truly Applied Productivity™.**

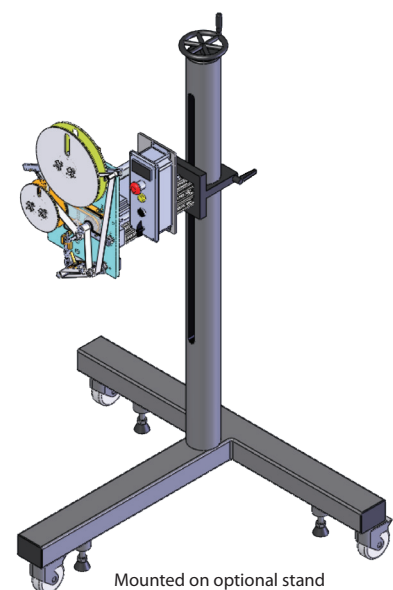
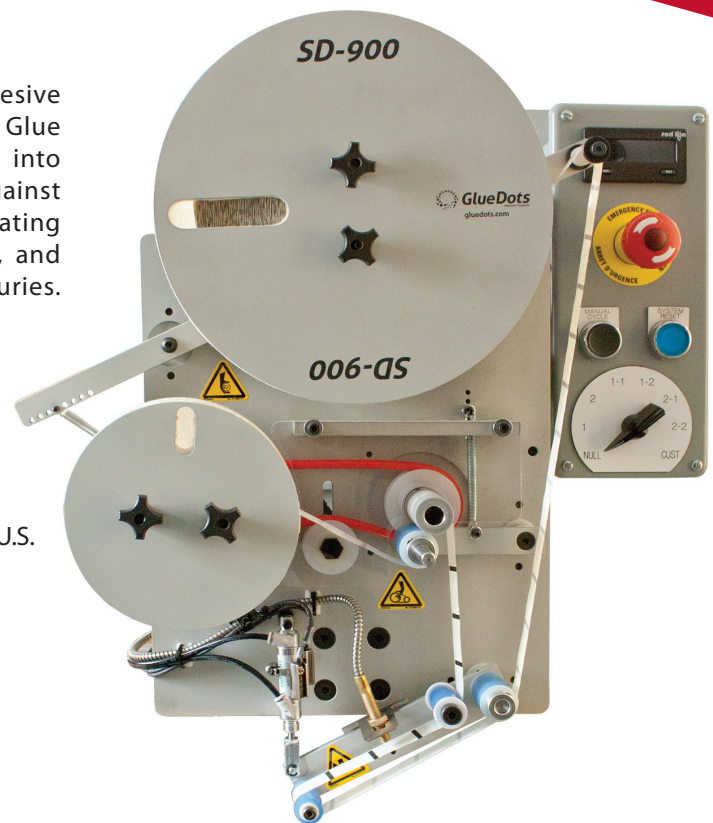
Customer Requirements:

- 110/120VAC power supply, 50/60 Hz (Standard 3-prong wall outlet in U.S.)
- 220VAC Single Phase model available for sales outside of U.S.
- Max 6 amps
- 40 psi air supply
- 24VDC, PNP Sensor to detect customer's product (2 sensors if applying dots to more than one location on product)
Glue Dots will provide assistance in choosing product sensors.
- Ability to mount applicator via adjustable height stand or directly onto conveyor.

Specifications:

- Dimensions: 406mm wide x 559mm tall x 255mm deep
- Dimensions with mounting beam: approx 534mm deep
- 6mm of stroke
- Designed for both continuous and intermittent application
- 28 meters per minute product speed
- 4-5 strokes per second to apply dots
- Encoder following (conveyor mounted for automatic speed matching)
- Accuracy of dot placement: +/- 2.38mm
- cULus Marked Controls (UL 508A)
- Designed to hold 8,000 count roll, patterns at 25mm spacing
- Ability to adjust number of dots via rotary switch:

1 dot (single sensor required)	2 dots then 1 dot (two sensors required)
2 dots (single sensor required)	2 dots then 2 dots (two sensors required)
1 dot then 1 dot (two sensors required)	Custom programming (one or two sensors required)
1 dot then 2 dots (two sensors required)	



For more information about the SD-900, visit www.gluedotseurope.com/SD-900 or call +44 (0) 1355 577222

Glue Dots™ and SD-900™ are trademarks of Glue Dots International LLC, New Berlin, WI, an Ellsworth Adhesives Company.
U.S. Patent No.'s 5,935,670; 6,319,442; 6,640,864; 6,686,016; 8,006,734. Other U.S. and Foreign Patents Pending. ©2012 Glue Dots International.