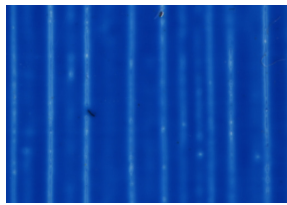
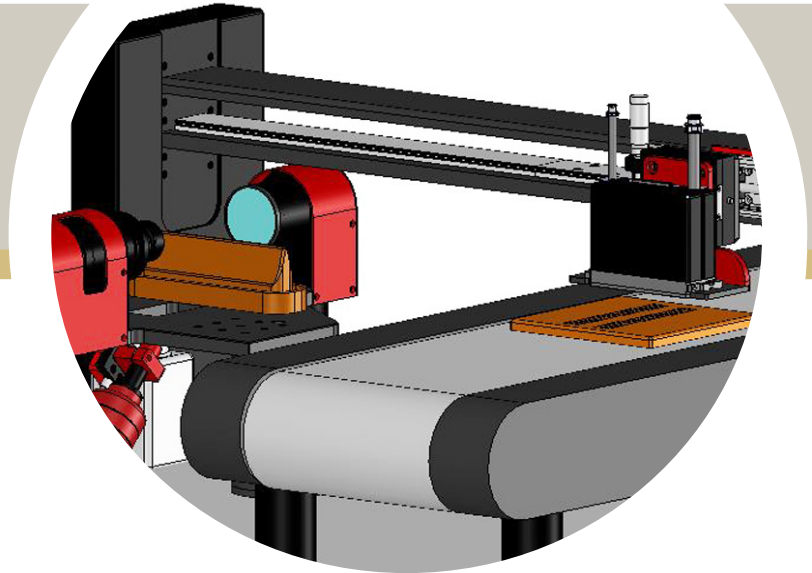


JetXpert Print Station

JetXpert with fully-integrated print station for economical and efficient ink jet testing



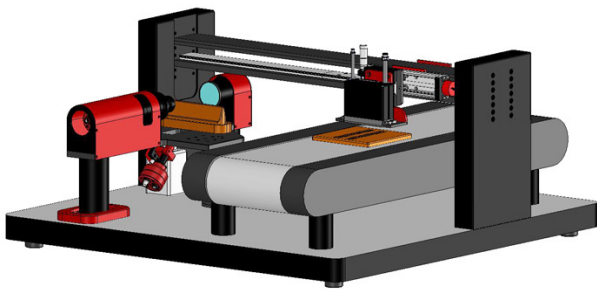
Print testing for immediate visual analysis of print quality

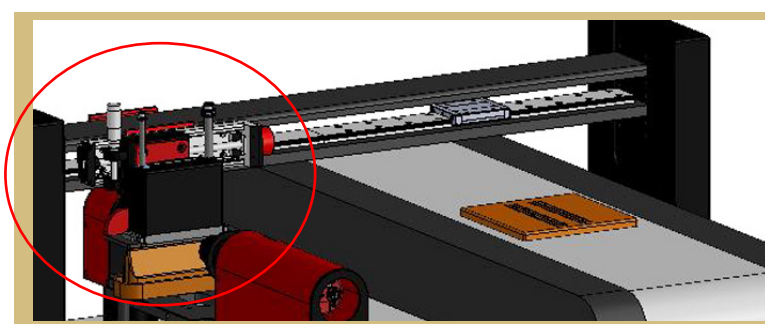
The JetXpert print station enables analysis of drops-in-flight and print testing, all in the same test fixture.

FEATURES AND BENEFITS

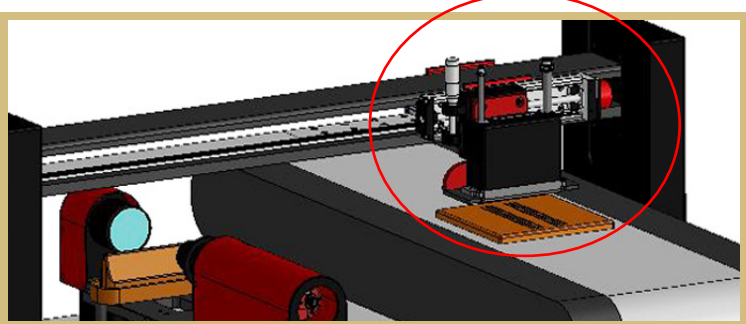
ImageXpert's JetXpert with Print Station includes:

- JetXpert for dropwatching and analysis of drops-in-flight. Measurements include drop volume, velocity and trajectory.
- 2 station print head positioning with quick release to easily move print head from drop-watching station to print station
- 3 configurations for different levels of print testing:
 - Entry level system with manual print stage with encoder
 - Optional conveyor for material transport and automated sample printing
 - Optional linear stage for high-accuracy printing
- Optional camera for print quality visualization
- Print station capabilities are also available for retrofit of existing JetXpert systems





Print head in JetXpert position



Print head in print position

Economical solution offering drop-watching, measurement of characteristics of drops-in-flight and print testing, all in one test fixture.

Benefits

Measurement of drops-in-flight, optional print head wetting visualization, and a print station combined in one test fixture allow ink developers and integrators an efficient and economical solution for data-driven system characterization and optimization.

With the print station adjacent to the JetXpert system, short cycle testing iterations are possible for print system and process development from fluid testing, to optimization of wave forms and run conditions such as firing frequency.

By using the print station to print on the intended receiving material (such

as paper, plastics, or ceramics) print system performance can be assessed immediately and directly.

JetXpert

ImageXpert's JetXpert system provides dropwatching and analysis of drops in flight, and a print station enables print testing on samples.

To accommodate various print head geometries, the JetXpert system has 1" adjustment on the base, with fine focus capability remaining on the lens.

Drop Analysis Software

The JetXpert analysis software enables measurement of jetting performance including drop volume, velocity and

trajectory. Measurements can be collected over time for trend analysis and statistical analysis to assess system stability.

Print Test Station

A quick-release lock and manual slide allow the head to be easily repositioned for drop-watching and analysis, or for print testing.

A manual stage under the print station allows for print testing on samples. An integrated encoder synchronizes with the print head. Linear stage and conveyor options are available for increased automation and substrate speed control.

System Components

Drop Analysis	JetXpert for dropwatching and analysis of drops-in-flight. Includes calibration target.
Print Head Mounting	Custom mountings available for many print heads including Xaar, Xerox, Kyocera, Konica Minolta (KM512 and KM1024), Dimatix (S-Class Q-Class, and Starfire), Trident, Seiko Epson DX5 and Ricoh Gen4 heads
Print Station Configurations	Entry-level 6" wide print platform on manual stage, with handle for ease of movement. Integrated encoder to interface with print head during printing. 10" of travel. Optional upgrade to conveyor system for automated sample handling and print testing. Optional automated linear stage (up to 1m long) for high-accuracy printing.
Add-ons	Down-facing camera with fixed focal length lens for quick image visualization and measurement using ImageXpert software.