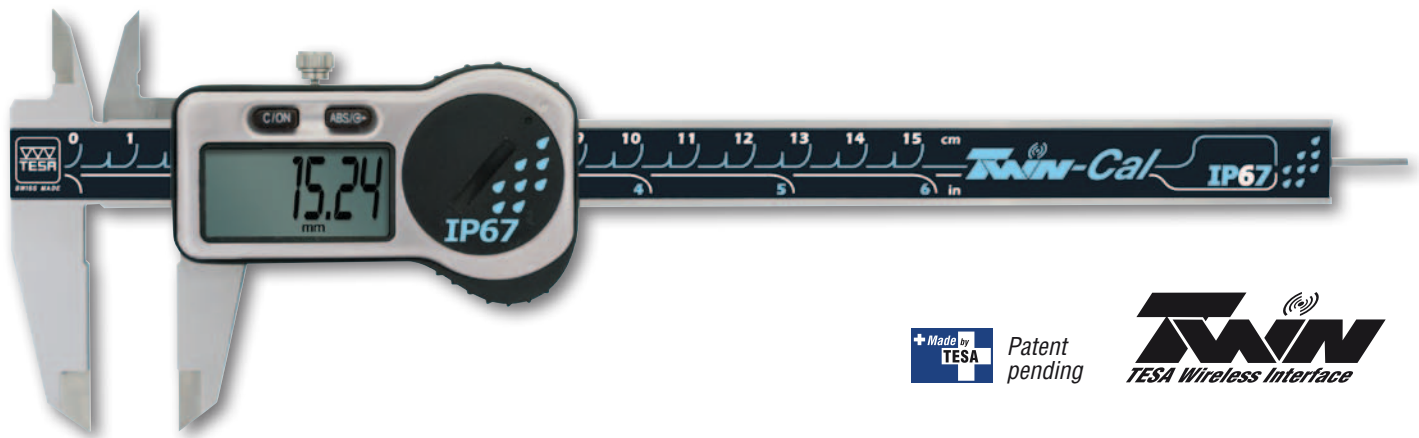


Electronic Calipers

- 150 mm / 6 in
- 200 mm / 8 in
- 300 mm / 12 in

TWIN-CAL IP67



Made by
TESA Patent
pending

TWIN
TESA Wireless Interface

UNIQUE FEATURES:

- **HIGHEST IP67 STANDARD PROTECTION AGAINST LIQUIDS AND DUST, ALSO WITH CABLE CONNECTION**
- **BIGGEST LCD SCREEN EVER WITH 11 MM DIGITS**
- **MORE THAN 12 000 HOURS AUTONOMY**
- **ABS MEASURING MODE**
- **UNIQUE TWIN & LINK CONNECTIVITY CONCEPT, PLUS EVOLUTIVE OUTPUT CAPABILITY WITH ALL TWIN-CAL**
- **SOFT TOUCH FEATURE FOR SMOOTH MEASUREMENTS**
- **STAINLESS STEEL PLATE COVER WITH PVD DEPOSIT FOR OPTIMAL PROTECTION**



SWISS
MADE



LINK



ABS



SOFT
TOUCH



TWIN



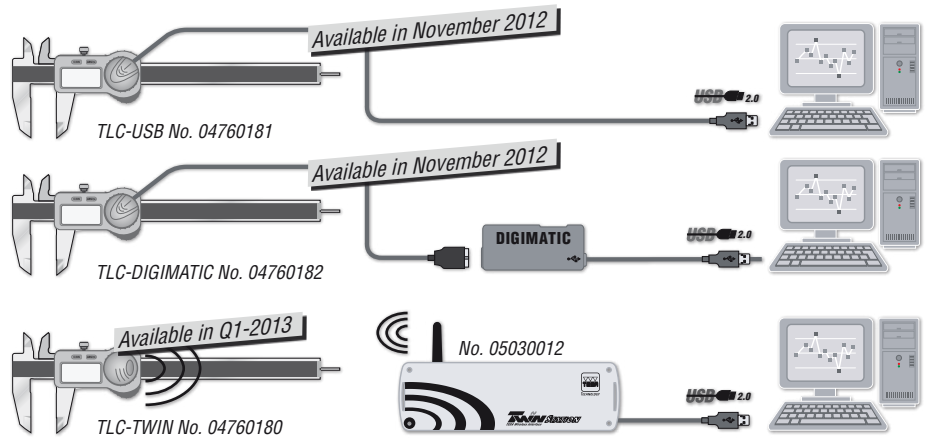
IP67



LCD

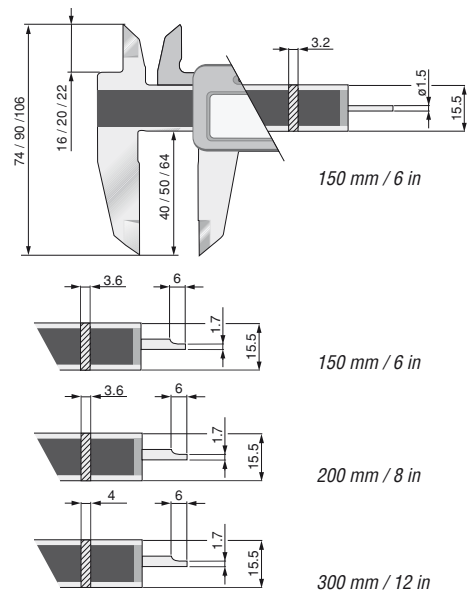
TWIN & LINK CONNECTIVITY CONCEPT

All the new TWIN-CAL calipers are manufactured with a built-in output connectivity feature! Just connect the "plug and play" TLC (TESA Link Connector) to the TWIN-CAL, the other end to a computer and retrieve all the data for optimal SPC monitoring. In case SPC is not needed yet, the evolutive TWIN-CAL IP67 offers the possibility to put it in place later! Also the unique TLC connector guarantees the IP67 protection of the TWIN-CAL IP67 caliper. Data format output: RS232/4800 Baud/even/1/2/7 bits.



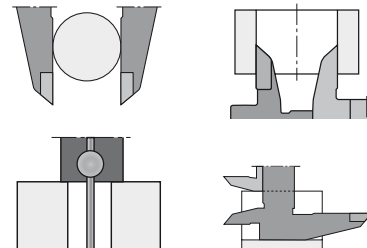
TECHNICAL SPECIFICATIONS

Order number	Measuring range	Depth Rod	Thumb wheel
00530319	150 mm / 6 in	■	—
00530320	150 mm / 6 in	●	—
00530321	150 mm / 6 in	●	●
00530322	200 mm / 8 in	■	●
00530323	300 mm / 12 in	■	●
Accessories			
01961000	Lithium battery 3V, type CR 2032		
00560013	Depth measuring foot (150 mm / 6 in)		
00560106	Thumb wheel for caliper (150 mm / 6 in)		
058101	Battery cover for IP67 model		
04981001	DATA-Direct		
04981002	STAT-Express		
S47120003	USB multiplexer, 7x ports USB 2.0		



TECHNICAL DATA

Measuring span: 150 mm / 6 in – 200 mm / 8 in – 300 mm / 12 in	Degree of protection: IP67 (CEI/IEC 60529)
Resolution: 0,01 mm / .0005 in	Maximal moving speed: 2,5 m/s
Repeatability: 0,01 mm	Display: large LCD format, 11 mm digits size
Max. permissible error : 0,02 mm per 100 mm, 0,03 mm above. In case of inversion or the use of depth rod, these values are increased by 0,02 mm	Power supply: CR2032 3V
Temperature limit for use and service: 10°C to 40°C	Autonomy: 12 000 hours
Temperature limit for storage: -10°C to 60°C	Material: Stainless steel, 11*10 ⁻⁶ (1/°C)
Maximum relative humidity: 100% for IP67 models	Weight (150/200/300 mm): 150 g, 200 g, 280 g
	Norm: ISO 13385-1
	Directives: ROHS, according to 2002/95/CE REACH, according to 1907/2006/CE EMC, according to 2004/108/CE DEEE, according to 2002/96/CE



TESA SA Switzerland Bugnon 38 CH-1020 Renens Vente Suisse Tél. +41 (0)21 633 16 00 Fax +41 (0)21 633 17 57 tesa-ventechi@hexagonmetrology.com	TESA FRANCE SAS 2, rue Antoine Lavoisier Pôle Lavoisier – bâtiment A F-54300 MONCEL-lès-LUNEVILLE Tél. +33 (0)3 83 76 83 76 Fax +33 (0)3 83 74 13 16 tesa-france@hexagonmetrology.com	TESA Technology Deutschland GmbH Netzstraße 32 D-71638 Ludwigsburg Tel. +49 (0)7141 8747 0 Fax +49 (0)7141 8747 88 tesa-de@hexagonmetrology.com	TESA Technology UK Ltd. Metrology House Halesfield 13 GB-Telford, Shrops. TF7 4PL Tel. +44 1952 681 349 Fax +44 1952 681 391 tesa-uk@hexagonmetrology.com	TESA Technology ITALIA s.r.l. Via Bizzozzero, 118 IT-20032 Cormano (MI) Tel. +39 02 663 053 69 Fax +39 02 663 090 82 tesa-italia@hexagonmetrology.com	TESA Technology Ibérica Av. de Vizcaya s/n Apart. 202 ES-48260 Ermua Tel. +34 943 170 340 Fax +34 943 172 092 tesa-iberica@hexagonmetrology.com	TESA Benelux Van Elderenlaan 1 NL-5581 WJ Waalre Tel. +31 (0)40 222 06 08 Fax +31 (0)40 222 17 16 tesa-benelux@hexagonmetrology.com
---	---	---	---	--	---	--

TESA SA – Bugnon 38 – CH-1020 Renens – Switzerland – Tel. +41(0)21 633 16 00 – Fax +41(0)21 635 75 35 – www.tesabs.ch – tesa-info@hexagonmetrology.com