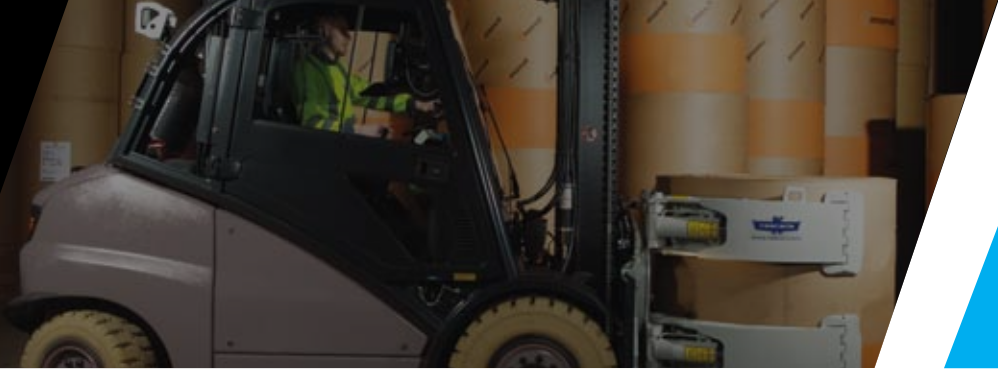


**ROSCO**[®]

VisionSystems

SAFE-T-SCOPE[®]

Heated Backup Camera System With Color 7" **WATERPROOF** Multi-View LCD Monitor for Indoor & Outdoor Forklifts



- 7" Waterproof Monitor With Membrane Touchpad
- High Resolution With Ultra Sharp DIGITAL Display & LED-Backlit Panel
- Multi-View LCD Monitor Can Accept Up To 4 Camera Inputs
- Heavy Duty Heated Camera Provides 120° Field Of Vision
- 6 InfraRed LED's in Camera Provide Up To 30 Ft. of Night Time Visibility
- Integrated Audio Built In Camera Mic & Powerful Monitor Speakers
- Versatile Monitor & Camera Mounting Options Designed For Forklifts

**ROSCO**[®]
VisionSystems

• 144-31 91st Ave. • Jamaica, NY 11435 • USA •
800.227.2095 • Tel 718.526.2601 • Fax 718.297.0323
www.roscovision.com • www.roscomirrors.com

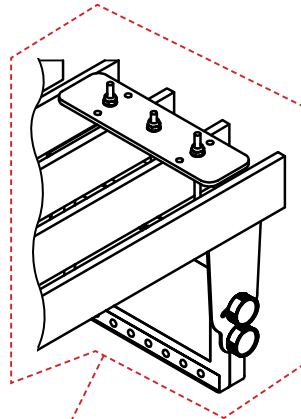




MULTI-VIEW WATERPROOF MONITOR P/N: STSM207 (Included In Kit)

Screen Size (Diagonal)	7"
Maximum No. of Cameras	4 Inputs/Channels
Screen Ratio	16:9
Contrast Ratio	300:1
Video System	NTSC
Voltage Input	12~24 Vdc
Operating Temperature °F (°C)	-22° to 158° (-30° to +70°)
Storage Temperature °F (°C)	-40° to 176° (-40° to +80°)
Dust\Water Rating	IP67
Shock Rating	100g
Vibration Rating	15g
Speaker Impedance	8 Ohms
Weight lb.	1.5
Dimensions W x H x D	7" x 5.75" x 1"
Sun Shade	Included
Brightness	400 cd/m2

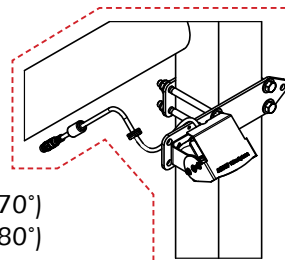
Monitor Mounting Options U-Bracket with Specialized / Universal Fork Lift Mounting Plate



HEATED CAMERA P/N: STSC107 (Included In Kit)

Image Device	1/3" CCD
Pixels	250,000
TV Lines	380
InfraRed LED's	6 High-Output
Dust\Water Rating	IP67
Field of View	120°
Operating Temperature °F (°C)	-22° to 158° (-30° to +70°)
Storage Temperature °F (°C)	-40° to 176° (-40° to +80°)
Audio	Yes
Heater	Thermostat Controlled
Shock Rating	100g
Vibration Rating	10g
Weight lb.	.5
Dimensions W x H x D	2.5" x 1.7" x 2.5"
Construction	Cast Aluminum Housing w/ Stainless Steel Mounting Bracket & Weather Shield

Camera Mounting Options Comes Complete w/ Universal Fork Lift Mounting Bracket



STSC107
Standard Camera
(included in kit)



Optional Cameras:
STSC117
Vertical Tilt Camera
(camera lens automatically pivots up/down w/ trigger inputs)



STSC127
Shutter Camera
(camera lens is protected by automatic lens cover)



STSC128
Side Mount Camera
(universal left or right side mount camera)

HARNESS P/N: STSH308 (Included In Kit)

16.5' Harness

Optional Harnesses:

- STSH307 - 60' Harness
- STSH310 - 60' Harness Extension (used with STSH308)
- STSH306 - 60' Harness (for STSC117 Only)



STSH308
Standard Harness

Optional Harnesses:



STSH307



STSH310



STSH306