



LEDCanada.com

CANPACK



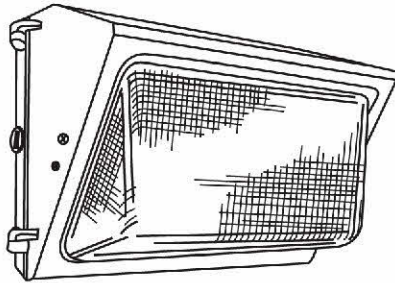
GEN 2

LCCPWP-40

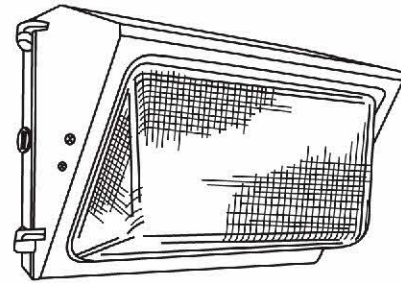


GEN 2

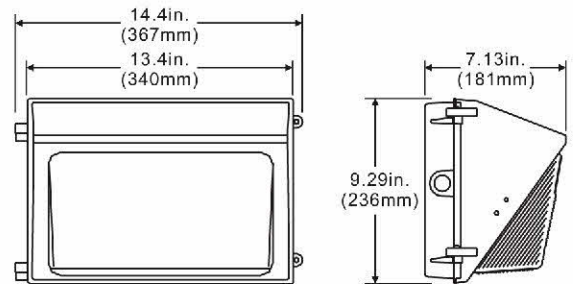
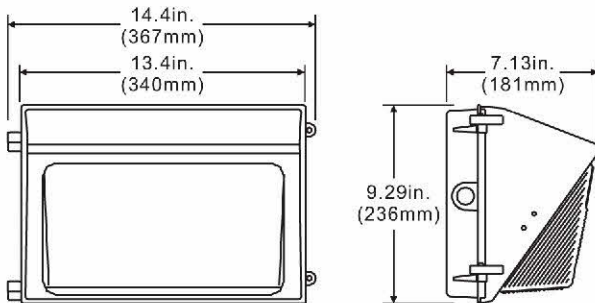
LCCPWP-80



DIMENSIONS



DIMENSIONS



# of LED	15
CHIP	XTE R2
System Watts	38.3
Total System	1890
Color	4700K
MA	700MA
Voltages	120-277V
CRI	75+
Starting Temp	-30C
Equivalent	100W-150W MH
Dimmable	Optional
IC protection	YES

# of LED	30
CHIP	XTE R2
System Watts	76.6
Total System	3780
Color	4700K
MA	700MA
Voltages	120-277V
CRI	75+
Starting Temp	-30C
Equivalent	150W-200W MH
Dimmable	Optional
IC protection	YES

Sales@LEDCanada.com