

X4080I-U1

Large-Format Display
Infra Red

At a Glance

- HD LCD display
- Slim Bezel
- LED backlighting
- Energy efficient
- OPS slot

Applications

- Retail
- Hospitality
- Corporate
- Education

Contact Us

220 Tradesmen Dr.
Hutto, Texas 78634

1.800.320.5944

sales@touchsystems.com

www.touchsystems.com

The X4080I-U1 is a 40" HD LCD display with LED backlighting technology. Its slim design makes it attractive in a number of verticals, including retail and hospitality. The design is further enhanced by an Open Pluggable Specification (OPS) slot and multiple connectivity options. It is integrated with infra red, a multi-touch technology, and is **Windows 8 ready**.



X4080I-U1

Specifications

Viewable Image Size	40"
Touch Technology	Dispersive Signal Technology
Pixel Pitch	.46 mm
Brightness	500cd/m ²
Contrast Ratio	3500:1
Aspect Ratio	16:9
Resolution	1920 x 1080
Response Time	8 ms
Viewing Angle	178° Vertical; 178° Horizontal (89U/89D/89L/89R) @ CR>10
Synchronization	Horizontal 31.5-91.1kHz Vertical 50-85Hz
Connectivity	DVI-D, HDMI, DisplayPort, VGA 15-pin D-sub, BNC Composite
Compatibility	PC and Mac
Voltage Rating	3.9A @ 100-120V; 1.6A @ 220-240V
Power Consumption	On: 110W; Standby: <1W
Dimensions (WxHxD)	37.05 x 21.962 x 2.52 in (without stand) - IR
Weight	54 lbs (without stand)
VESA Hole Configuration	300x300mm (4-hole)
Operating Temperature	41-104°F/5-40°C
Operating Humidity	20-80%
Standards	FCC Class B, C-UL
Limited Warranty	3 Years Parts and Labor, including Backlight



X40 40" Multi-Touch Display

Public Information

Hospitality

Retail

Light Industrial

X4080I-U1

Large-Format Display
Infra Red

At a Glance

- HD LCD display
- Slim Bezel
- LED backlighting
- Energy efficient
- OPS slot

Applications

- Retail
- Hospitality
- Corporate
- Education

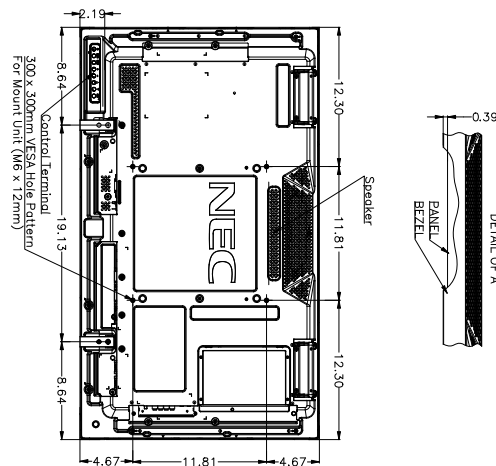
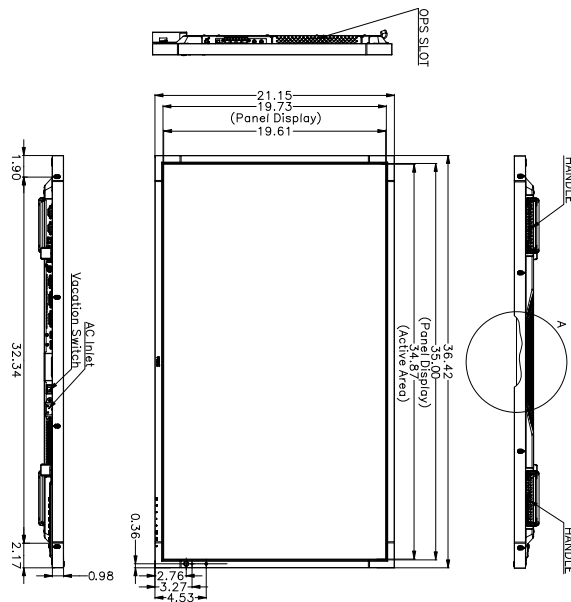
Contact Us

220 Tradesmen Dr.
Hutto, Texas 78634

1.800.320.5944

sales@touchsystems.com

www.touchsystems.com



Dimensions without touch sensor