

# F9960N

3-AXES DISPENSING & COATING SYSTEM

# F9960N

## 3-AXES DISPENSING & COATING SYSTEM

### FEATURES

- Large dispensing and coating work area 600 x 600mm
- Suitable for many dispensing and coating applications such as, form-in-place gaskets, encapsulation, spray coating, thermal grease, underfill and sealing
- Performs continuous path and point-to-point motions
- Operator fail-safe, high clearance, safety security door
- 7" (178mm) touch-screen programming
- Software nozzle/tip change alignment routine for quick and automatic program offsets
- Step-and-repeat functions - program one object only for multiple identical objects
- On board 100 programs, 1,000 points per program
- Simple hook up of fume extraction unit (unit not included)

The F9960N precision dispensing & coating system has been designed as a multi-tasking robot for work cells that require enclosed operational performance. An interactive touch-screen display provides simple programming.

The F9960N is an enclosed robot platform engineered for safe and secure dispensing and coating applications from small SMT circuit boards to larger PCB's and finished assemblies. Accurate and repeatable selective conformal coating performance can be applied by precision spray and needle valves.

The system can be purposed either as a stand-alone dispensing and coating machine for moderate volume, or as an integrated module that is part of a pass-through conveyor fed production line in high-volume manufacturing environments.



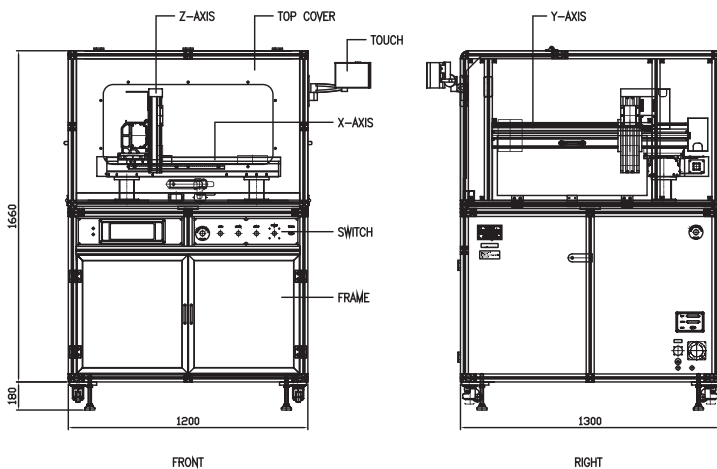
### Model

F9960N Multi-task 3-axes system 230VAC

### Specifications

X/Y/Z Work area (mm):	600 / 600 / 200
Maximum tool load:	7 kg.
Max. speed XYZ:	500 / 500 / 500 (mm/sec)
Repeatability:	+/- 0.02mm
Resolution:	+/- 0.02mm
Processor:	Main: 32 Bit, 900 Mflops
Motor:	X=400W, Y=200W non-brake, Z=100W brake
Drive sys.:	AC servo ball screw
Motion control:	PTP & CP (3D line, circle)
Teaching method:	Touch-screen programmer
Programs:	100 programs - 1,000 points/program
I/O signals:	23 inputs & 23 outputs
External interface:	RS232C
Power supply:	AC 230V - 50-60Hz 15A
Power consumption:	1,000W (max)
Dimensions (WxDxH):	1200 x 1300 x 1840
Weight:	869 lbs (395 kg)

### Dimensions



15 Corporate Dr. Wayne, NJ 07470 - USA  
Tel: (973) 646-5044 E-mail: info@fisnar.com  
www.fisnar.com