



3 Axis CNC Patriot Routers

FMT Patriot 5' x 10' (pictured)

The makers of Freedom Machine Tool have been building CNC routers for 32 years and are known for providing quality, precision and reliability to the world's most successful companies. FMT CNC routers are designed & manufactured to deliver industrial-quality CNC routers at a value price. Includes one year limited warranty.

Specifications

Standard Models

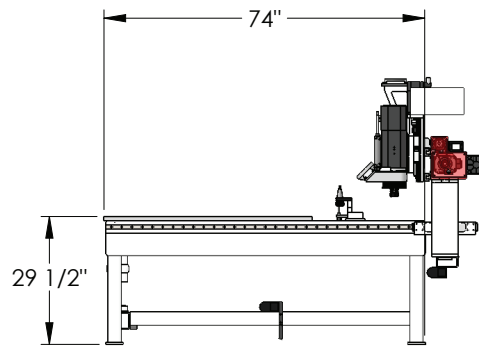
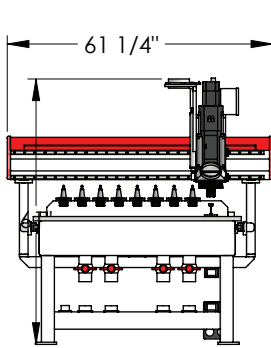
- Patriot 4' x 4'
- Patriot 4' x 8'
- Patriot 5' x 10'

Standard Features

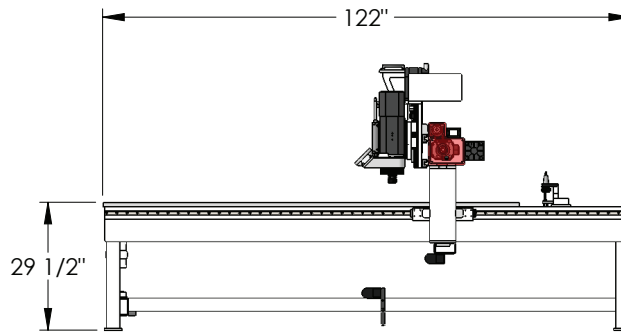
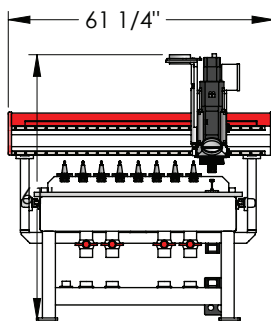
- Welded Steel Base & Bridge Construction
- 25 mm Profiled Rails on All Axes
- Precision Ball-Screws on All Axes
- 208/230 Volt, 3 Phase Power
- Fagor 8037 Industrial Control System
- Fagor Servo Drive System with Absolute Encoders on All Axes
- 2 Year Warranty on Fagor Components
- 7" Z Axis

Optional Features

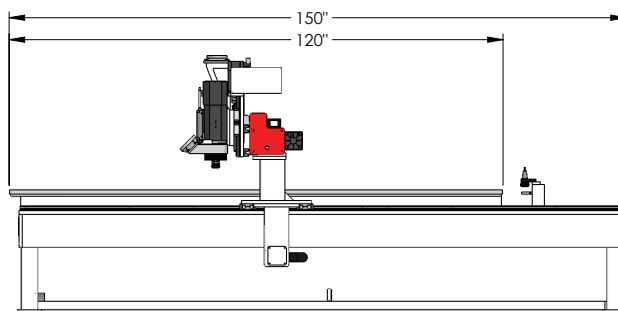
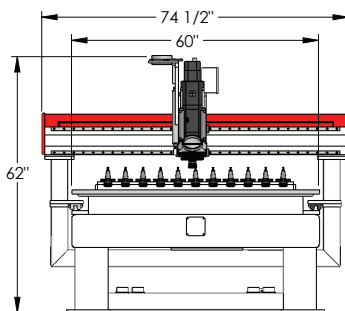
- HSD Wrench Type & Push-Button / ATC Spindle
- 8-Position Tool Rack
- Auto Tool-Height Sensor
- Aluminum T-Slot & Multi-Zone Phenolic Vacuum Table
- Lathe Attachment
- Mist Coolant System
- Hand Wheel Pendant
- Becker Vacuum Pump



Patriot 4'(h) x 4'(d)



Patriot 4'(h) x 8'(d)



Patriot 5'(h) x 10'(d)