

Fisher & Paykel

A HISTORY OF INNOVATION

Since our founding in 1934, we have grown into a global, design-led company of more than 3,000 people. Designed and engineered in New Zealand, our products are sold in 50 countries around the world. Our design heritage is founded on a pioneering spirit and a culture of curiosity that has challenged conventional appliance design to consistently deliver products tailored to human needs. For us, legacy is about looking into the future, while ensuring what we develop today is aligned to the fundamental principles of sustainable design. We are committed to ongoing research and development. Our culture is one of open innovation, which allows people to work collaboratively to find insights and ideas that connect with our customers and respect our planet.



We live one day at a time.







Cooking
eating
cleaning
washing
drying
hunting
gathering
talking
playing
relaxing.





And then doing it all over again.

Day in, day out.





**TURNING ROUTINES INTO
EXPERIENCES**

Behind every product is a story and that story starts with you. Your home is an expression of who you are and how you live. Our passion is creating better products that turn everyday routines into enjoyable experiences. We understand the dynamic nature of modern living. We deliver products that are adaptable, functional and durable, as well as human. We don't just make things that fit the space provided, we create products that fit the lives lived around them. Live life — we'll take care of the details.



THE SOCIAL KITCHEN

The kitchen is the humble engine room in which we choose to live—where we create, socialize and enjoy the best that life has to offer. Cooking is a social activity. We generally place the key appliances in what we consider to be logical places: the work triangle of cooktop, sink and refrigerator. But we no longer cook in straight lines. We don't cook on conveyor belts. Sometimes we assemble, sometimes we bake, sometimes we stir-fry and sometimes we boil. We don't cook the same way every day: we can be a weekday cook and a weekend gourmet. The work triangle limits our creativity. It's not just about efficiency; sometimes it's about fun. Too many cooks may spoil the broth or they may create a wonderful, social and enjoyable meal. Let's reclaim the kitchen. Let's live outside the triangle.



DESIGNED FOR REAL LIFE

At Fisher & Paykel, we are curious about people—how they live, where they live, what they do and how they use things. This is where hidden insights wait to be uncovered. We are curious about not only the function and performance of our products, but also the emotional role they play in people's lives. For us, design is not a self-serving goal—it is a human endeavour to make life a little bit better.

COOK



COOK TO CREATE

We see cooking not as a chore, but a creative act. As more of our lives become virtual and people look for ways to make and create things, we design high-performance tools you can rely on and be creative with, that turn everyday meals into creations. Fisher & Paykel products cater for different patterns of use—whether it's mid week convenience or weekend gourmet, heat and eat or a family feast. We understand everyday life and support the lives lived around our products. Cooking is part of our DNA—one part designer, one part chef. We have a passion for food and we are just as interested in making high-performance ovens that perfect your favorite foods as making the process of cooking more enjoyable. Our insights come from real-world use and then the results are tested in our lab daily, with the aim of inventing technologies that deliver the perfect cooking result.



BUILT-IN OVENS

Fisher & Paykel's multifunction Built-in Ovens are designed to perfect your favorite food, with a full range of cooking modes and temperatures providing greater control and more flexibility; and with a selection of generous oven sizes to meet the needs of the most demanding cook. Roasting is an art as well as a science. The difference between rare and medium takes timing, intuition and a well-trained eye. Fisher & Paykel's Built-in Ovens are programmed to quickly heat to a high temperature, browning the meat to create delicious savory flavors before automatically lowering the temperature to deliver a perfect, tender roast every time. Most of our ovens are self-cleaning and include cool-touch doors with multiple panes of glass and advanced cooling systems that ensure the external surfaces remain safe to the touch.

30" Built-in Double Oven

Designed for ultimate performance and cooking capability, the 30" Built-in Oven comes in both single and double models, with a 4 cu.ft. capacity. It features 10 cooking functions, a self-cleaning mode and a catalytic smoke eliminator. Finished in black reflective glass and stainless steel, they blend minimalist design with durability—matching the Fisher & Paykel family of kitchen appliances, from Cooktops to ActiveSmart™ refrigerators, CoolDrawer™ multi-temperature drawers and DishDrawer™ dishwashers.

1 Perfect Results

The ultra-fast heating and powerful 4400W grill is optimized by the AeroTech™ convection system, which circulates heat evenly.

2 Sized to Suit

4 cu.ft. of capacity makes this oven big enough to cook a turkey and a large tray of roast vegetables.

3 Designed to Match

Finished in black reflective glass and stainless steel, these elegant, yet durable ovens match the rest of Fisher & Paykel's coordinated kitchen family.

4 Easy Cleaning

No need for harsh chemical cleaners in our ovens; simply remove the racks and set to self-clean.

5 Precise Control

Temperature adjustment is easy with smooth, balanced dial movement. Brilliant halogen lighting, plus a large viewing window improve performance and efficiency.

6 Safe and Sound

Cool-touch doors are safer and more energy efficient. An advanced heat-reflective coating and innovative cooling system keeps heat inside the oven.

7 Accessories

This oven includes a three-piece anti-splatter grill system, a meat probe that automatically stops cooking when the predetermined temperature is reached, and two aluminium baking trays.



24" Built-in Single Oven

This oven delivers the superior performance and full functionality of a larger model with nine programs to best suit your dish.

1 Perfect Results

An electronic thermostat controls temperature variation when cooking, ensuring consistent temperatures throughout the oven and the 3000W Broil provides rapid and consistent results, quickly searing food to seal in flavors and nutrients.

2 Sized to Suit

This oven can be placed virtually anywhere and can be installed at a convenient height to suit your kitchen design and preference. With a choice of four shelf positions to give you a range of options for organizing the interior of the oven.

3 Designed to Match

Finished in black reflective glass and polished metal, this elegant, yet durable oven matches the other appliances in the larger Fisher & Paykel coordinated kitchen family.

4 Easy Cleaning

Simply remove the racking, set to self-clean and the oven will take care of any grease or grime, reducing it to ash that's easily wiped away with a cloth.

5 Precise Control

An electronic thermostat controls temperature variation when cooking, ensuring consistent temperatures.

6 Safe and Sound

Cool-touch doors that are made of up to four panes of glass and its own cooling system, ensure it is safe to touch on the outside.





COOKTOPS

So many things to consider when selecting a cooktop: a look to match your kitchen, a size to fit your space and a fuel type to suit your cooking style. It all comes down to personality and preference. Whether it's the performance and theater of live flame, the precision, control and sleek simplicity of induction, Fisher & Paykel's Cooktop family is designed to provide the right solution. Whatever your choice, there are many configurations and sizes to suit any cooking style. Each product has been designed to deliver great performance—from searing heat to the gentlest of simmers—and all are designed for easy cleaning and with safety in mind.

CookSurface Cooktops

A revolution in cooking. Combining the superior performance of gas and the convenience of a ceramic glass surface with retractable burners and pan supports.

1 Perfect Results

Perfect simmering is achieved through uniquely designed Aero® burners that mix fan-forced air at lower settings to reduce peak temperatures and ensure even heat distribution with both a high setting and low turndown.

2 Sized to Suit

Available in two different depths to suit any benchtop and featuring three burners spaced for best ergonomics.

3 Easy Cleaning

Combining the convenience of a ceramic glass surface with retractable burners, simply wipe and walk away.

4 Precise Control

Quiet glow ignition means the flame automatically ignites with the turn of the dial, while the electronic interface provides audio and visual feedback for 12 levels of precise linear flame control.

5 Safe and Sound

The CookSurface will shut off automatically should the gas supply falter, and features a key lock as an added safety precaution. We only use ecofriendly ceramic glass, without any arsenic or heavy metals used in the manufacturing process.

Best Design Awards 2008 – Gold





Gas on Steel Cooktops

The Gas on Steel Cooktop offers power levels for everything from a slow simmer for sauces, to an intense heat for steaks and stir-fries. Combining the attractiveness of sleek stainless steel with the durability of cast iron trivets, these cooktops support the most avid chef.

1 Perfect Results

The Gas on Steel Cooktop perfects both the slow simmer needed for sauces and the intense heat needed for searing and wok cooking. It comes with five different strength burners.

2 Sized to Suit

With five burners, including simmer, rapid and two wok burners, the Gas on Steel Cooktops provide great cooking flexibility.

3 Designed to Match

The brushed stainless steel blends elegance with durability — matching the rest of our coordinated kitchen family.

4 Easy Cleaning

This cooktop is designed as a singular piece of steel with quick component removal for easy cleaning. Durable and easy to clean, cast iron trivets provide a safe and stable cooking surface. The rubber feet ensure that the cooktop is not scratched when the trivets are placed onto the cooktop.

5 Precise Control

For accurate temperature control, ergonomic dials on the front of the cooktop automatically ignite the flame quickly and safely.

6 Safe and Sound

The auto-reignition system means that if the flame is accidentally extinguished the cooktop will reignite itself. All Fisher & Paykel Gas Cooktops feature electronic ignition ensuring they are quick, reliable and safe.



Touch Control Induction Cooktops

Traditionally we cook by generating heat from one source, such as a flame, and conducting it to another. The Fisher & Paykel Induction Cooktop works on a different principle. The cooktop itself produces electromagnetic vibrations, which induce the pot or pan to generate its own heat, resulting in shorter heat-up times and a safer cooking surface.

1 Perfect Results

The PowerBoost function delivers instant, intense heat when you need it and the GentleHeat function produces slow, continuous simmering.

2 Designed to Match

Induction cooking is popular with those who love visual simplicity and clean, smooth lines. Finished in black glass, you get elegant design with durability.

3 Easy Cleaning

The flat surface is easy to clean because there are no obstructions and because Induction heats just the pot rather than the surrounding glass, the likelihood of burned spill overs is greatly reduced.

4 Precise Control

Induction cooking delivers an immediate response with greater energy efficiency than that of either gas or electric. Soft-touch controls are simple to use and provide great precision.

5 Safe and Sound

This cooktop will alert you if it's turned on without a pot or pan on it, and will switch off if you don't respond. It will switch off if the pan being used isn't suitable for induction cooking. We use ecofriendly ceramic glass in the production of our Induction Cooktops without any arsenic or heavy metals used in the manufacturing process.

Electric Cooktops

1 Perfect Results

Solid performers with superb simmer results, our Electric Cooktop allows you to move pots and pans around simply and quickly while high-speed ribbon elements provide good temperature control from a rapid boil to an extremely low simmer.

2 Sized to Suit

Two size variations, with either four or five element configurations are available. Because our Electric Cooktops are perfectly flat and cool down quickly when switched off, the surface can be used as an extra preparation area.

3 Designed to Match

Designed using premium quality materials, the finishes and controls match the rest of our coordinated kitchen family.

4 Easy Cleaning

The flat surface makes our Electric Cooktop very easy to clean. Ceramic glass is very strong, adding to the durability and performance of the cooktop.

5 Precise Control

Easy-to-use dials provide precise temperature control from a rapid boil to an extremely low simmer. Up to two dual elements provide a choice of up to seven cooking zones.

6 Safe and Sound

Hot surface indicators glow until the surface is safe to touch. We use ecofriendly ceramic glass in our cooktops, without any arsenic or heavy metals used in the manufacturing process.





RANGES

On the outside, style is a matter of taste. So we put a little chef on the inside that can't wait to impress. Fisher & Paykel Ranges are visually impressive and give you the flexibility to prepare several courses simultaneously. With large ovens and a choice of gas, ceramic, or induction cooktops these ranges are finessed with clean lines in glass and stainless steel that will complement any modern kitchen.

36" Range — Gas

This Range gives you the flexibility to prepare several courses simultaneously. With a large gas oven combined with a five burner gas cooktop, the clean lines in black reflective glass and stainless steel complement the style and elegance of any kitchen.

1 Perfect Results

Four functions including bake and convection bake and a powerful 15000 BTU broil gives you professional quality results.

2 Sized to Suit

The 36" Range is spacious with a 4 cu.ft capacity. A shelving system allows ample space for larger meals.

3 Designed to Match

Designed using premium quality materials and built to last, the black reflective glass and stainless steel blend balanced aesthetic with design for durability.

4 Easy Cleaning

Cleaning is quick and simple. The cooktop is easy to clean as it is made from a single piece of stainless steel that contains spills. The oven door and its inner pane of glass can be removed for easy cleaning and the storage compartment minimizes clutter for oven accessories.

5 Precise Control

Generous metal control dials with a simple, functional interface are positioned on a full stainless steel control panel for precise control over cooking temperatures.

6 Safe and Sound

A cool-touch door and built-in cooling system ensure the oven door is safe to touch externally. Streamlined trivets let you slide pots and pans without lifting them.



30" Range — Induction

Combining the best of both worlds, the Fisher & Paykel 30" Induction Range gives you the benefits of an easy to clean, four zone induction cooktop with the flexibility of a large oven. Elegantly designed to complement the Fisher & Paykel built-in product series with clean lines of black glass and stainless steel.

1 Perfect Results

Professional performance is delivered by eight oven functions—perfect for any culinary requirements. The cooktop's PowerBoost function delivers instant, intense heat when you need it and there is also a gentle heat setting for slow, continuous simmering.

2 Sized to Suit

Our 30" Ranges are spacious, with 3.6 cu.ft of total capacity. A five position shelving system allows ample space for larger meals.

3 Designed to Match

Induction cooking is popular with those who love visual simplicity. This Range is designed to complement the Fisher & Paykel kitchen product family with clean lines of black glass and stainless steel.

4 Easy Cleaning

Cleaning is made simple with the flat surface of the induction cooktop; the self-cleaning oven function and easily removable oven door. The combined warming and storage drawer minimizes clutter for oven accessories.

5 Precise Control

Benefits of induction include fast heat-up times, immediate response and precision cooking; cooler temperatures on the glass; and greater energy efficiency than that of either gas or electric.

6 Safe and Sound

A triple glazed door makes the oven safe to touch; the door and oven cooling system keep heat away from cabinetry; and non-tip shelves reduce the risk of dropping heavy cookware.





VENTILATION HOODS

Kitchen inspiration doesn't exist in a vacuum, but simple and responsive extraction is as important as achieving the right look for your kitchen. Designed to complete your kitchen, you can select a Ventilation Hood that best suits your kitchen layout and cooking style. No matter which you choose, all of Fisher & Paykel's ventilation products are built to perform. They have been designed as the perfect partner to our Cooktops and each captures and eliminates cooking odors, vapor and steam effectively. They are easy to use and feature intuitive controls that respond to the touch of a finger.



Ventilation Hoods

Fisher & Paykel's Ventilation Hoods offer a selection of fan speeds and clever features that quietly and efficiently remove steam, smoke and lingering smells.

1 Effective and Quiet

Odors can linger in the kitchen well after cooking is finished. The practical timer feature keeps the Ventilation Hood working for up to 15 minutes before it automatically turns itself off. (HC36DTXB1).

2 Designed to Match

Fisher & Paykel's Ventilation Hoods are finished in black reflective glass and stainless steel that blends elegant, minimalist aesthetic with design for durability while hiding unsightly filters. The stainless steel Ventilation Hood matches the rest of Fisher & Paykel's family of kitchen appliances.

3 Easy Cleaning

An interior, wipeable plate makes cleaning effortless and multi-layered filters trap grease effectively. Designed for simple removal, the filters are easy to clean and dishwasher safe.

4 Precise Control

The sleek touch-control panel responds to the touch of your finger. Halogen lights provide superb illumination over the entire cooking surface. (HC36DTXB1).

30" Built-in Ovens



01



02

⑩
OB30DDEPX2
30" Double Built-in Oven
 H48 1/2" x W29 29/32" x D23 29/32"

⑩
OB30SDEPX2
30" Single Built-in Oven
 H27 1/6" x W29 29/32" x D23 29/32"

24" Built-in Oven



01

⑩
OB24SDPX4
24" Single Built-in Oven
 H24" x W24" x D22 29/32"

Microwave Ovens



01

⑩
CMOH-30SS
30" Over the Range Microwave
 H16 1/32" x W29 15/16" x D15 5/32"

Microwave Ovens
 Cont.



02



03

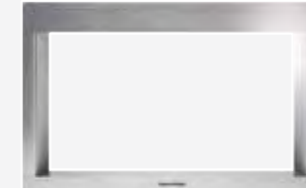
⑩
MO-24SS-2
24" Traditional Microwave
 H13 3/8" x W24" x D19 1/8"

⑩
CMO-24SS-2
24" Convection Microwave
 H14 7/8" x W24 3/8" x D19"

Microwave Trim Kits



01



02

⑩
MOTTK-FP
 H17 3/16" x W24" x D24 1/4"
 For use with MO-24SS-2
 Traditional Microwave

⑩
CMOTTK-FP
 H19 3/16" x W25 3/4" x D20"
 For use with CMO-24SS-2
 Convection Microwave

Warming Drawer



01

⑩
OD30WDX2
30" Warming Drawer
 H10 1/2" x W29 11/16" x D25 1/16"

CookSurface Cooktops



01

④
CG363MLDNGB1
CookSurface Deep
 H3 1/2" x W35 7/16" x D20 7/8"

④
CG363MLNGB1
CookSurface
 H3 1/2" x W35 7/16" x D16 3/32"



02

Gas on Steel Cooktops



01

④
CG365DNGX1 (Natural gas),
CG365DLPX1 (LPG)
36" 5 Burner Gas Cooktop
 H2 3/16" x W35 7/16" x D20 7/8"

④
CG365DWACX1
36" 5 Burner Gas Cooktop
 H2 3/32" x W35 3/32" x D21 1/2"



02

Gas on Steel Cooktops
 Cont.



03

④
CG365CWACX1
36" 5 Burner Gas Cooktop
 H2 3/16" x W35 3/32" x D21 1/2"

Induction Cooktop



01

④
C1365DTB1
36" 5 Zone Induction Cooktop
 H4 1/32" x W35 7/16" x D20 7/8"

Electric Cooktop



01

④
CE365DBX1
36" 5 Element Electric Cooktop
 H4 1/4" x W35 7/16" x D20 7/8"

Ranges



01



02



03



04



05

⑩
OR36SDBGX2
36" Gas Range
H35 7/16" - 37 1/2" x W35 1/8"
x D23 1/2"

⑩
OR30SDPWIX1
30" Induction Range
H35 2/52" - 36 1/2" x W29 7/8"
x D24 1/2"

⑩
OR30SDPWGX1
30" Dual Fuel Range
H35 2/52" - 36 1/2" x W29 7/8"
x D24 1/2"

⑩
OR30SDPWSX1
30" Electric Range
H35 2/52" - 36 1/2" x W29 7/8"
x D24 1/2"

⑩
OR30SDBMX1
30" Gas Range
H35 2/52" - 36 1/2" x W29 7/8"
x D24 1/2"

Ranges Cont.



06



07

⑩
OR24SDPWGX2
24" Dual Fuel Range
H35 1/52" - 36 7/52" x W23 7/8"
x D24 1/16"

⑩
OR24SDBGX2
24" Gas Range
H35 7/16" - 36 7/52" x W23 7/8"
x D24 1/2"

Ventilation Hoods



01



02

⑩
HC36DTXB1
36" Wall Ventilation Hood
H25 - 40 3/4" x W35 7/16" x D19 1/16"

⑩
DD-36SS
36" Downdraft
H8 1/4" x W36" x D1 1/2"

C

O

O

L



WE CONTROL THE WEATHER

At the heart of Fisher & Paykel's Refrigerator-Freezers is the ability to sense and respond to daily use in an intelligent way. The combination of temperature sensors with smart electronics and variable-speed fans creates a controlled environment and optimum temperature for better food care. We call it ActiveSmart™ technology. Your refrigerator door is the most used door in your home and, every time it is opened, the temperature changes around your food. The challenge is maintaining a consistent and controlled environment despite ongoing changes inside and outside the refrigerator. ActiveSmart™ achieves this through constantly monitoring how you and your family use your refrigerator, adjusting airflow to maintain a stable and even temperature. So despite highs, lows and occasional gusty winds, when it comes to your refrigerator, let ActiveSmart™ control the weather to deliver better food care.



ACTIVESMART™
TECHNOLOGY



CoolDrawer™ Multi-temperature Drawer

The CoolDrawer™ multi-temperature drawer has been designed to change from refrigerator to freezer at the touch of a button. It is built on the concept of distributed refrigeration, combining ActiveSmart™ technology with a drawer-based design that can be placed anywhere in the kitchen, home or entertainment area. The CoolDrawer™ provides five temperature settings to deliver total flexibility – freezer, chill, refrigerator, pantry and wine modes, merging intelligence with convenience.

1 Innovative

The multi-temperature CoolDrawer™ is a world-first in refrigeration technology.

2 Convenient

Five temperature settings can be tailored to the needs of your food: freezer, chill, refrigerator, pantry and wine mode, combining intelligence with convenience.

3 Ergonomic

There is easy access at waist height, with smooth-running drawers.

4 Intuitive

The easy-to-use electronic interface can change the temperature at the touch of a button.

5 Flexible

This innovation complements your existing refrigeration and enhances your kitchen design to suit your lifestyle.

6 Precise

Highly engineered finishing ensures a 1/8" clearance between front panels, as demanded by professional cabinetmakers.



CoolDrawer™ Features

1 Freezer Mode

This mode is ideal for general frozen food storage with the added flexibility of three freezer functions—bottle chill, fast freeze and deep freeze. Freezer Mode is set at -0°F for longer-term storage of frozen items.



2 Chill Mode

Chill Mode sets the compartment to a temperature perfect for highly perishable meats, poultry and seafood. For these types of food it is ideal to store them at a temperature as close to freezing as possible to retain their vital freshness. Chill Mode sets the compartment at 31°F, just above the freezing temperature for meat.



3 Fridge Mode

This mode provides the ideal storage for most foods requiring normal refrigeration, such as fruit and vegetables, dairy products, processed meats and drinks. The compact upper storage tray is a perfect place for sensitive foods such as peaches, cherries, cheeses and deli items; the tall bin is ideal for large bottles and containers.



4 Pantry Mode

This is designed for foods that require a cool, dark place for storage, such as tropical fruits, tomatoes, bananas, bread and cereals. Pantry Mode provides a solution for all those foods that you didn't previously know what to do with and have always resorted to storing on the bench or in the cupboard. This setting offers a stable storage environment at 54°F, making it ideal for sensitive foods.



5 Wine Mode

Using the innovative Wine Mode, connoisseurs can take advantage of special settings that preserve and present wine at its optimum temperature. This mode is ideal for long-term storage of all wine at 54°F and offers two temperature selections for short-term storage.





French Door Refrigerators

This series has been designed to maximize space as well as access. With new water dispenser styling and SmartTouch controls, these refrigerators are designed to match with our family of kitchen appliances.

1 Fresher Food for Longer

ActiveSmart™ technology keeps your food fresher for longer by constantly monitoring your refrigerator and adapting to maintain a controlled environment and optimum temperature.

2 Designed to Match

The high quality stainless steel, unique surround kits, black finish and the chrome strip detail of the slimline water dispenser, all reflect the styling of our family of kitchen appliances.

3 Easy Living

These refrigerators adapt to suit your lifestyle by streamlining food preparation and organization with SmartTouch controls, flexible shelving and storage options and slide out bins and trays.

4 Sized to Suit

Fisher & Paykel French Door Refrigerators are available in 36" and 32" widths. They can sit flush with your benchtop with ultra flat doors and concealed hinges.

5 Easy Cleaning

Removable, spill safe glass shelves are easy to clean and contain drips and spills. Storage bins and EZKleen stainless steel doors just need a wipe to keep spotless.

6 Efficient

ActiveSmart™ refrigerators intelligently adapt to daily use to save energy, cooling and defrosting only when they need to without compromising on food care.

Bottom Freezer Refrigerators

This series has been designed for what you use most often. The upper refrigerator enables easy access to everyday items. With new water dispenser styling and SmartTouch controls, these refrigerators are designed to match with our family of kitchen appliances.

1 Fresher Food for Longer

ActiveSmart™ technology keeps your food fresher for longer by constantly monitoring your refrigerator and adapting to maintain a controlled environment and optimum temperature.

2 Designed to Match

The high quality stainless steel, unique surround kits, black finish and the chrome strip detail of the slimline water dispenser, all reflect the styling of our family of kitchen appliances.

3 Easy Living

These refrigerators adapt to suit your lifestyle by streamlining food preparation and organization with SmartTouch controls, flexible shelving and storage options and slide out bins and trays.

4 Sized to Suit

Available in 25" and 32" widths these refrigerators suit almost any home. They can sit flush with your benchtop, with ultra flat doors and concealed hinges.

5 Easy Cleaning

Removable, spill safe glass shelves are easy to clean and contain drips and spills. Storage bins and EZKleen stainless steel doors just need a wipe to keep spotless.

6 Efficient

ActiveSmart™ refrigerators intelligently adapt to daily use to save energy, cooling and defrosting only when they need to without compromising on food care.



SURROUND KIT

The refrigeration Surround Kit helps create a seamless connection between your appliance and its surrounding cabinetry. Available in a stainless steel finish, the kit frames and complements the product. A Joiner Kit can also be used to join two refrigerators. For more information visit fisherpaykel.com



ActiveSmart™ Features

1 ActiveSmart™ Technology

ActiveSmart™ technology is the combination of temperature sensors with smart electronics and variable speed fans that create a controlled environment and optimum temperature to keep food fresher longer.



2 SmartTouch Control Panel

For easy access, the new SmartTouch control panel is placed in the inside front of the refrigerator. These controls have been designed to be intuitively simple and easy to use.



3 Ultra Slim Water Dispenser

The new slimline water dispenser is now even easier to use—the angled water delivery still means that almost any size or shape of vessel can be filled, while taking up no storage space in your refrigerator door. The black finish reflects the styling of Fisher & Paykel's family of kitchen appliances.



4 Soft-close Doors

No more slamming refrigerator doors or having the door left open with soft-close hinges on the French Door Ice & Water models.



5 Ice Boost

In Ice & Water models, the Ice Boost function automatically delivers up to 25% more ice each day* into a dedicated bin that can be easily customized to store different volumes.

*compared to current Fisher & Paykel Ice & Water models



6 Humidity Control System

The Humidity Control System together with the cool and consistent temperature delivered by ActiveSmart™ technology creates the perfect microclimate in each produce bin, maintaining fruit and vegetable quality at just the right humidity and temperature level.



7 Adaptive Defrost

Adaptive defrost means that there is no need for vacation mode settings. Your refrigerator intelligently selects the best time to defrost based on how it is being used. When you are away it will use less energy as it recognizes lower levels of use and defrosts less often.



8 Storage Flexibility

Smart refrigerator organization and food preparation are streamlined with best in class features such as flexible shelving, flexible storage options and easy to access bins and trays on full extension runners.



**CoolDrawer™
Multi-temperature
Drawer**



01

Ⓜ
RB36S25MKIW1
36" CoolDrawer™
H25 3/16" x W33 23/32" x D21 15/16"
(Excluding drawer panel, including
power cord)

**Optional Stainless Steel
Pre-finished Door**
H18" x W35" x D1 1/4"

**Ice & Water
French Door
Refrigerators**



01



Ⓜ
RF201ADUX4
French Door Refrigerator
H70 19/32" x W35 7/16" x D27 3/8"
(Dimensions excluding handles)
Flat door

Ⓜ
RF195ADUX1
French Door Refrigerator
H70" x W35 3/4" x D27 3/8"
(Dimensions excluding handles)
Flat door



02



**Ice & Water
French Door
Refrigerators Cont.**



03



Ⓜ
RF170ADUX4
French Door Refrigerator
H67 17/32" x W31 1/2" x D27 3/8"
(Dimensions excluding handles)
Flat door

**French Door
Refrigerators**



01



Ⓜ
RF201ADX4
French Door Refrigerator
H70 19/32" x W35 7/16" x D27 3/8"
(Dimensions excluding handles)
Flat door

Ⓜ
RF170ADX4
French Door Refrigerator
H67 17/32" x W31 1/2" x D27 3/8"
(Dimensions excluding handles)
Flat door



02



**Ice & Water
Bottom Freezer
Refrigerators**



01



⑩
**RF175WDRUX1,
RF175WDLUX1**
Bottom Freezer Refrigerator
H70" x W32 3/4" x D27 3/8"
(Dimensions excluding handles)
Flat door

⑪
**RF175WCRUX1,
RF175WCLUX1**
Bottom Freezer Refrigerator
H70" x W32 3/4" x D27 3/8"
(Dimensions excluding handles)
Curved door

⑫
**RF170WDRUX4,
RF170WDLUX4**
Bottom Freezer Refrigerator
H67 1/2" x W31 1/2" x D27 3/8"
(Dimensions excluding handles)
Flat door



02



03



**Ice & Water
Bottom Freezer
Refrigerators Cont.**



04



⑬
**RF135BDRUX4,
RF135BDLUX4**
Bottom Freezer Refrigerator
H67 1/2" x W25" x D28 3/8"
(Dimensions excluding handles)
Flat door

⑭
**E522BRXU4,
E522BLXU4**
Bottom Freezer Refrigerator
H67 1/8" x W31 3/2" x D28 3/2"
(Dimensions excluding handles)
Curved door



05



**Bottom Freezer
Refrigerators**



01



⑮
**RF175WDRX1,
RF175WDLX1**
Bottom Freezer Refrigerator
H70" x W32 3/4" x D27 3/8"
(Dimensions excluding handles)
Flat door

Bottom Freezer Refrigerators Cont.



02



03



04

Ⓜ
RF175WCRX1,
RF175WCLX1
Bottom Freezer Refrigerator
 H70" x W32 3/4" x D27 3/8"
 (Dimensions excluding handles)
 Curved door

Ⓜ
RF175WCRW1,
RF175WCLW1
Bottom Freezer Refrigerator
 H70" x W32 3/4" x D27 3/8"
 (Dimensions excluding handles)
 Curved door

Ⓜ
RF170WDRX4,
RF170WDLX4
Bottom Freezer Refrigerator
 H67 1/2" x W31 1/2" x D27 3/8"
 (Dimensions excluding handles)
 Flat door

Bottom Freezer Refrigerators Cont.



05



06



07

Ⓜ
RF135BDRX4,
RF135BDLX4
Bottom Freezer Refrigerator
 H67 1/2" x W25" x D27 3/8"
 (Dimensions excluding handles)
 Flat door

Ⓜ
E522BRX4,
E522BLX4
Bottom Freezer Refrigerator
 H66 15/16" x W31 1/2" x D28 1/2"
 (Dimensions excluding handles)
 Curved door

Ⓜ
E522BRE4,
E522BLE4
Bottom Freezer Refrigerator
 H66 15/16" x W31 1/2" x D28 1/2"
 (Dimensions excluding handles)
 Curved door

CLEEANN



WE LIVE OUT OF DRAWERS

Fisher & Paykel DishDrawer™ dishwashers are designed to make doing the dishes easier than ever before. The combination of a drawer-based system with smart electronics and independent wash technology delivers superior cleaning and better ergonomics. We call it DishDrawer™ technology. Each of our DishDrawer™ products is a self-contained dishwasher with technology that allows traditional double-format or separate modules to be configured at an ergonomic height, allowing complete design freedom. Wide, tall, double and single-drawer options allow you to choose the combination that works best for your lifestyle. The dishwashers in this series can be concealed easily behind kitchen cabinetry to seamlessly blend in with your kitchen and the ergonomic design minimizes bending by requiring less movement to open, load and close.



DISHDRAWER
TECHNOLOGY





DishDrawer™ Wide

Designed for the whole family, the DishDrawer™ Wide dishwasher complements the Fisher & Paykel 36" product series to deliver a total kitchen solution. Providing space for nine place settings, the DishDrawer™ Wide is suited to medium-sized households and can be partnered with additional drawers to cater for larger families.

1 Innovative

Before washing begins, detergent passes through the world's first flow-through dispenser to ensure it is thoroughly dissolved, providing a faster, more hygienic wash with no hint of detergent burn.

2 Convenient

This model is taller than the standard DishDrawer™ dishwasher, so you can fit large plates up to 12⁷/₁₆" in diameter. Racking is designed to hold long utensils and can fold away to free up space.

3 Ergonomic

The DishDrawer™ is as easy to open and close as a kitchen drawer and conveniently positioned at bench height so loading and unloading requires minimal bending. Easy-to-use folding tines allow you to place large pots, platters and bowls into the drawer with ease.

4 Efficient

This model has the choice of nine wash programs, including Eco options to minimize water and energy usage.

5 Safe

For added safety, a key lock and child lock are included.

6 Ecofriendly

This dishwasher uses only 3.5 gallons of water on a Normal Eco wash program and is ENERGY STAR rated CEE tier 1 for energy efficiency and cleaning and drying performance.

DishDrawer™ Tall

This model is designed for extra headroom. The increased drawer height fits 13" plates, making cleaning up after dinner parties a breeze. The DishDrawer™ Tall dishwasher can also easily accommodate oversized platters and extra-long stemmed glasses.

1 Innovative

Before washing begins, detergent passes through the world's first flow-through dispenser to ensure it is thoroughly dissolved, providing a faster, more hygienic wash with no hint of detergent burn.

2 Convenient

This model is taller than the standard DishDrawer™ dishwasher, so you can fit in large plates up to 13" in diameter. Racking is designed to hold long utensils and can fold away to free up space.

3 Ergonomic

The DishDrawer™ is as easy to open and close as a kitchen drawer and conveniently positioned at bench height so loading and unloading requires minimal bending. Easy-to-use folding tines allow you to place large pots, platters and bowls into the drawer with ease.

4 Efficient

This model has the choice of nine wash programs, including Eco options to minimize water and energy usage.

5 Safe

For added safety, a key lock and child lock are included.

6 Ecofriendly

This dishwasher uses only two gallons of water on a Normal Eco wash program and is ENERGY STAR rated CEE tier 1 for energy efficiency and cleaning and drying performance.



DishDrawer™ Double

Designed to fit existing kitchen cabinetry, the DishDrawer™ Double dishwasher has comparable dimensions to those of traditional dishwashers but provides the benefit of two independent drawers for added convenience and ergonomics.

1 Innovative

This dishwasher is a world's first in terms of design and configuration. Before washing begins, detergent passes through the world's first flow-through dispenser to ensure it is thoroughly dissolved, providing a faster, more hygienic wash with no hint of detergent burn.

2 Convenient

The DishDrawer™ Double dishwasher lets the user match the wash program to the exact load type in each drawer.

3 Ergonomic

The DishDrawer™ is as easy to open and close as a kitchen drawer and conveniently positioned at bench height so loading and unloading requires minimal bending. Easy-to-use folding tines allow you to place large pots, platters and bowls into the drawer with ease.

4 Efficient

This model offers the choice of nine wash programs, including Eco options to minimize water and energy usage.

5 Safe

For added safety, a key lock and child lock are included.

6 Ecofriendly

This dishwasher uses only two gallons of water per drawer on a Normal Eco wash program and is ENERGY STAR rated CEE tier 1 for energy efficiency and cleaning and drying performance.





INTEGRATED MODELS

The integrated product solution enables seamless fitting between Fisher & Paykel products and your kitchen cabinetry. Your chosen aesthetic can extend beyond storage spaces to enable DishDrawer™ and CoolDrawer™ to blend in with your kitchen environment.

DishDrawer™ Features

1 Independent Drawers

An independent drawer-based dishwashing platform is part of what makes the DishDrawer™ dishwasher unique. At bench height, drawers glide open for easy access, visibility and better ergonomics. In DishDrawer™ Double dishwashers, both drawers operate independently so different wash cycles can operate simultaneously to accommodate a variety of loads. Glasses, pots and pans can be washed in separate drawers at the same time.



2 SmartDrive™ Wash Mechanism

The unique brushless DC motor acts as both a wash pump and a drain pump, which means fewer moving parts and greater reliability. The pump brings water into the spray arm, which rotates at different speeds depending on the wash cycle selected, to deliver a superior clean and better dish care. In the DishDrawer™ Wide dishwasher, two independent spray arms force water throughout the tub, ensuring maximum efficiency and ultimate wash performance.



3 Nine Wash Options

All DishDrawer™ dishwashers feature nine wash programs: Rinse, Fast Eco, Fast, Delicate Eco, Delicate, Normal Eco, Normal, Heavy Eco, Heavy. The range of settings enables the DishDrawer™ dishwasher to wash everything from fine glass and crystal to heavily soiled pots and pans at the touch of a button. Primary and secondary controls provide a simple interface for program selection and operation, while the 'delay' start setting means the dishes can be done when it's most convenient.



4 Flow-through Detergent Dispenser

The DishDrawer™ dishwasher detergent dispenser ensures that undissolved detergent does not enter into the tub; instead, it is mixed as the machine fills with water. This not only cleans each load better but also reduces the possibility of damaging delicate items such as aluminium, cutlery or porcelain glazes.



5 Superior Filtration

One of the challenges in all dishwashers is a robust filter system that removes debris and avoids blocking. Together, the kidney filter and overmoulded filter plate create a firm seal to ensure that debris does not enter the wash mechanism and cause backflow. It is designed to be removable for easy and hygienic cleaning.



6 Adjustable Racking System

The DishDrawer™ dishwasher includes a range of flexible racking options. The cutlery basket can be customized for different utensils. Folding tines can be folded flat to accommodate a full load of pots or be folded upwards to hold glassware. Pitch-adjustable racks can accommodate normal plates, deep bowls or even slide completely out of the way. Wine glass holders ensure that short and long stemmed glasses are secure throughout the wash. Added retainer clips are ideal for holding chopping boards in position.



7 Safety Features

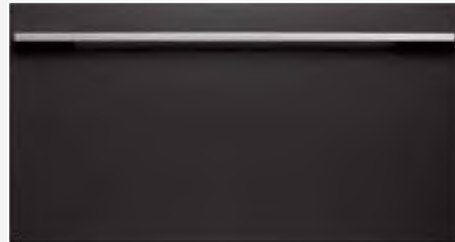
The DishDrawer™ dishwasher incorporates unique safety features such as a child lock which both locks the drawer to prevent opening and disables the buttons. In addition, it includes three-stage flood protection: the high-strength hose withstands water pressure several times greater than normal, overflow detection cuts the water supply if limits are exceeded and the back-up switch activates the drain pump to remove any excess water.



**DishDrawer™
Wide Dishwashers**



01



02

⑩
DD36SDFHTX2
H18 13/16" x W35 1/4" x D22 15/32"

⑪
DD36ST12
H18 13/16" x W33 23/32" x
D22 13/32" - 22 3/16"
Apply your own cabinetry façade
and handle — not included

**DishDrawer™
Tall Double Dishwashers**



01



02



03



04

⑩
DD24DDFTX7
H34 1/2" - 36 3/8" x W23 9/32" x D22 15/32"

⑪
**DD24DTI7,
DD24DHTI7**
H34 1/2" - 36 3/8" x W23 13/32" x
D22 13/32" - 22 3/16"
Apply your own cabinetry façade
and handle — not included

⑫
**DD24DCTX7,
DD24DCHTX7**
H34 1/2" - 36 3/8" x W23 13/32" x D22 15/32"

⑬
DD24DCTB7
H34 1/2" - 36 3/8" x W23 13/32" x D22 3/16"

**DishDrawer™
Tall Double Dishwashers
Cont.**



05

⑭
DD24DCTW7
H34 1/2" - 36 3/8" x W23 13/32" x D22 3/16"

**DishDrawer™
Tall Single Dishwashers**



01



02



03



04



05

⑩
DD24SFTX7
H18 13/16" x W23 13/32" x D22 15/32"

⑪
**DD24STI7,
DD24SHTI7**
H17 5/8" - 18 13/16" x W23 13/32" x
D22 13/32" - 22 3/16"
Apply your own cabinetry façade
and handle — not included

⑫
**DD24SCTX7,
DD24SCHTX7**
H17 5/8" x W23 13/32" x D22 3/16"

⑬
DD24SCTB7
H17 5/8" x W23 13/32" x D22 3/16"

⑭
DD24SCTW7
H17 5/8" x W23 13/32" x D22 3/16"

**DishDrawer™
Double Dishwashers**



01



02



03



04



05

⑩
DD24DFX7
H32 5/32" - 34 21/64" x W23 19/32" x
D22 15/32"

⑪
DD24DI7
H32 5/32" - 34 21/64" x W23 19/32" x
D22 15/32" - 22 5/16"
Apply your own cabinetry façade
and handle — not included

⑫
DD24DCX7
H32 5/32" - 34 21/64" x W23 19/32" x
D22 5/16"

⑬
DD24DCB7
H32 5/32" - 34 21/64" x W23 19/32" x
D22 5/16"

⑭
DD24DCW7
H32 5/32" - 34 21/64" x W23 19/32" x
D22 5/16"

**DishDrawer™
Single Dishwashers**



01



02



03



04



05

⑩
DD24SDFX7
H16 5/32" x W23 19/32" x D22 15/32"

⑪
DD24SI7
H16 5/32" x W23 19/32" x D22 15/32" - 22 5/16"
Apply your own cabinetry façade
and handle — not included

⑫
DD24SCX7
H16 5/32" x W23 19/32" x D22 5/16"

⑬
DD24SCB7
H16 5/32" x W23 19/32" x D22 5/16"

⑭
DD24SCW7
H16 5/32" x W23 19/32" x D22 5/16"

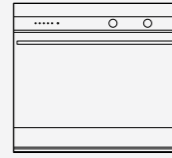
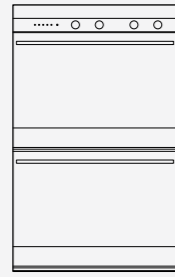
SPECIFICATIONS

Cook	102
Specifications	104
Built-in Ovens	104
Cooktops	108
Ranges	112
Ventilation Hoods	116
Dimensions	118
Built-in Ovens	118
Cooktops	121
Ranges	125
Ventilation Hoods	127

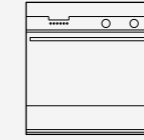
Cool	130
Specifications	132
CoolDrawer™ Multi-temperature Drawer	132
French Door Refrigerators	133
Ice & Water Refrigerators	135
Bottom Freezer Refrigerators	138
Dimensions	142
CoolDrawer™ Multi-temperature Drawer	142
French Door Refrigerators	142
Ice & Water Refrigerators	144
Bottom Freezer Refrigerators	144

Clean	148
Specifications	150
DishDrawer™ Wide Dishwashers	150
DishDrawer™ Tall Dishwashers	151
DishDrawer™ Double Dishwashers	155
DishDrawer™ Single Dishwashers	157
Dimensions	160
DishDrawer™ Wide Dishwashers	160
DishDrawer™ Tall Dishwashers	161
DishDrawer™ Double Dishwashers	164
DishDrawer™ Single Dishwashers	165

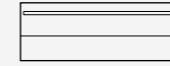
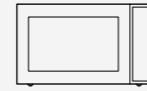
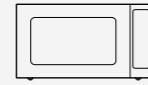
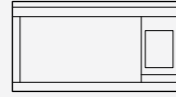
COOK



Type of appliance	30" Double Built-in Oven	30" Single Built-in Oven
Model no.	OB30DDEPX2	OB30SDEPX2
Finish	Stainless steel Black reflective glass	Stainless steel Black reflective glass
Dimensions	H48 1/2" x W29 29/32" x D23 29/32"	H27 1/8" x W29 29/32" x D23 29/32"
Total capacity	4 + 4 cu.ft	4 cu.ft
Shelf positions	8 per cavity	8
Oven functions	10 + Self-clean	10 + Self-clean
Aero™ Bake	●	●
Aero™ Broil	●	●
Aero™ Pastry	●	●
Bake	●	●
Broil	●	●
Maxi Broil	●	●
Pastry Bake	●	●
Roast	●	●
TrueAero™	●	●
Warm	●	●
Self-clean	●	●
Performance		
Broil	4400W	4400W
AeroTech™ cooking system	●	●
Cleaning		
Acid resistant graphite enamel	●	●
Self-clean	●	●
Removable shelf runners	●	●
Removable oven door/s	●	●
Safety		
Glazed door	Cool-touch quadruple glazed	Cool-touch quadruple glazed
Door and cavity cooling system	●	●
Non-tip shelves	●	●
Control panel key lock	●	●
Catalytic venting system	●	●
Controls		
Electronic clock	●	●
Automatic cooking/minute timer	●	●
Electronic temperature control	●	●
Illuminated halo dials	●	●
Halogen lights	3 x 20W per cavity	3 x 20W
Sabbath mode	●	●
Power requirements		
Supply voltage	120-240V	120-240V
Supply frequency	60Hz	60Hz
AMP draw	38.3A	19.4A
Accessories		
Telescopic sliding runners	5 sets	3 sets
Two piece anti-splatter broil system	2	●
Cooking probe	●	●
Warranty	1 year	1 year

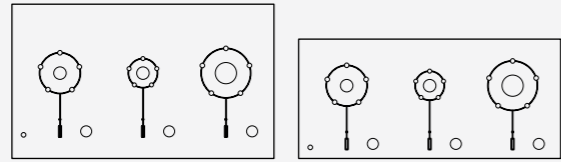


Type of appliance	24" Single Built-in Oven
Model no.	OB24SDPX4
Finish	Stainless steel Black reflective glass
Dimensions	H24" x W24" x D22 29/32"
Total capacity	2 cu.ft
Shelf positions	4
Oven functions	6 + Self-clean
Bake	●
Convection Bake	●
Broil	●
Convection Broil	●
Convection Double Broil	●
Defrost	●
Self-clean	●
Performance	
Broil	3000W
Convection cooking	●
Cleaning	
Acid resistant graphite enamel	●
Self-clean	●
Removable shelf runners	●
Removable oven door	●
Safety	
Glazed door	Cool-touch 4 pane glazed
Door and cavity cooling system	●
Controls	
Electronic clock	●
Automatic cooking/minute timer	●
Power requirements	
Supply voltage	120-240V
Supply frequency	60Hz
AMP draw	12.9A
Accessories	
Oven shelf	●
Step down oven shelf	●
Broil pan + broil rack	●
Glass baking tray	●
Warranty	1 year

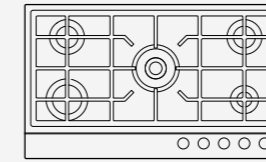


Type of appliance	30" Over the Range Microwave	24" Traditional Microwave	24" Convection Microwave
Model no.	CMOH-30SS	MO-24SS-2	CMO-24SS-2
Finish	Stainless steel	Stainless steel	Stainless steel
Dimensions	H16 1/2" x W29 1/8" x D15 3/8"	H13 3/8" x W24" x D19 1/8"	H14 7/8" x W24 3/8" x D19"
Total capacity	1.1 cu.ft	2.0 cu.ft	1.5 cu.ft
Cooking programs			
12 Compu Cook	●		●
Compu Defrost	●	●	●
Sensor Cook Settings	8	13	10
Reheat	●	●	●
Popcorn	●	●	●
Keep Warm		●	
Performance			
Microwave	850W	1200W	900W
Convection element	1400W		1450W
Cleaning			
Sealed easy clean interior	●	●	●
Removable carousel	●	●	●
Controls			
Easy to read display	●	●	●
16 digit display		●	
7 digit display	●		●
2 color display	●	●	●
Power requirements			
Supply voltage	120V	120V	120V
Supply frequency	60Hz	60Hz	60Hz
AMP draw	15A	15A	15A
Accessories			
Baking racks	2		2
Matching trim kit		MOTTK-FP	CMOTTK-FP
Warranty	1 year	1 year	1 year

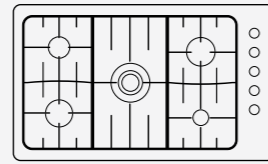
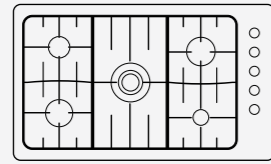
Type of appliance	30" Warming Drawer
Model no.	OD30WDX2
Finish	Brushed stainless steel
Dimensions	H10 1/2" x W29 1/8" x D25 1/8"
Total capacity	1.6 cu.ft
Number of 11" standard size plates	6
Performance	
Proof	90-110°F
Low	140-170°F
Medium	170-200°F
High	200-250°F
Moist & Crisp setting	●
Power output	500W
Power requirements	
Supply voltage	120V
Supply frequency	60Hz
AMP draw	15A
Warranty	1 year



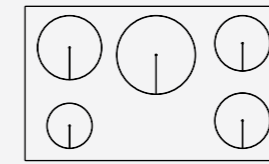
Type of appliance	CookSurface Deep	CookSurface
Model no.	CG363MLDNGB1	CG363MLNGB1
Finish	Ceramic glass	Ceramic glass
Dimensions	H3½" x W35 ⅞" x D20 ⅞"	H3½" x W35 ⅞" x D16 ⅝"
Burners	3 including 1 wok burner	3 including 1 wok burner
Burner ratings (using natural gas)		
Small Aero™ burner	6,800 BTU	6,800 BTU
Medium Aero™ burner	7,600 BTU	7,600 BTU
Wok Aero™ burner	12,000 BTU	12,000 BTU
Performance		
Independent burner operation	●	●
Quiet glow ignition	●	●
Electronic flame settings	●	●
Cleaning		
Easy clean cooktop design	●	●
Removable support pins	●	●
Removable burner heads	●	●
Safety		
Flame failure re-ignition system	●	●
Key lock	●	●
Hot surface indicators	●	●
Overheat protection	●	●
Controls		
Intuitive dial control	●	●
LED display	●	●
Audio feedback	●	●
Visual feedback	●	●
Self diagnostics	●	●
Power requirements		
Supply voltage	110-120V	110-120V
Supply frequency	60Hz	60Hz
AMP draw	0.7A	0.7A
Accessories		
Wok stand	●	●
Warranty	1 year	1 year



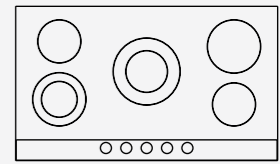
Type of appliance	36" 5 Burner Gas Cooktop
Model no.	CG365DNGX1 CG365DLPX1
Finish	Stainless steel with polished strip
Dimensions	H2 ⅞" x W35 ⅞" x D20 ⅞"
Burners	5 including dual wok burner
Burner ratings (using natural gas)	
Auxiliary burner	700-3500 BTU
Semi-rapid burner	1,000-8,500 BTU
Rapid burner	1,900-11,500 BTU
Dual wok burner	600-19,000 BTU
Performance	
Electronic ignition	●
Quick connect gas valve	●
LPG/Natural gas models	●
Cast iron trivets	●
Cleaning	
Easy clean cooktop design	●
Quick component removal	●
Safety	
Auto re-ignition system	●
Spill containment	½ gallon
Controls	
Ergonomic control dials	●
Laser etched graphics	●
Power requirements	
Supply voltage	110-120V
Supply frequency	60Hz
AMP draw	1A
Accessories	
Small pan support	●
Wok stand	●
Warranty	1 year



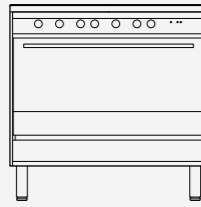
Type of appliance	36" 5 Burner Gas Cooktop	36" 5 Burner Gas Cooktop
Model no.	CG365DWACX1	CG365CWACX1
Finish	Stainless steel	Stainless steel
Dimensions	H2 1/2" x W35 3/2" x D21 1/2"	H2 1/4" x W35 3/2" x D21 1/2"
Burners	5 including 1 wok burner	5 including 1 wok burner
Burner ratings (using natural gas)		
Center burner	3,753-20,000 BTU	3,412-14,000 BTU
Semi-rapid burner	1,365-5,800 BTU	1,365-5,800 BTU
Rapid burner	2,388-8,000 BTU (2)	2,388-8,000 BTU (2)
Simmer burner	512-3,000 BTU	512-3,000 BTU
Performance		
Innovalve™ technology	●	●
Electronic ignition	●	●
LPG/Natural gas compatible	●	●
Cast iron trivets	●	●
Cleaning		
Easy clean cooktop design	●	●
Quick component removal	●	●
Safety		
Auto re-ignition system	●	●
One gallon spill containment	●	●
Controls		
Satin chrome control dials	●	●
Burner indicator lights	●	●
Fault indication lights	●	●
Laser etched graphics	●	●
Power requirements		
Supply voltage	110-120V	110-120V
Supply frequency	60Hz	60Hz
AMP draw	2A	2A
Accessories		
Wok stand	●	●
Simmer mat	●	●
LPG conversion kit	●	●
Cast iron griddle	●	●
Warranty	1 year	1 year



Type of appliance	36" 5 Zone Induction Cooktop
Model no.	CI365DTB1
Finish	Ceramic glass
Dimensions	H4 1/2" x W35 3/4" x D20 3/8"
Cooking zones	5
Zone ratings	
	*Maximum power output when set for PowerBoost
Left front	1400W (1800W*)
Right front	1850W (2500W*)
Left rear	2300W (3200W*)
Right rear	1850W (2500W*)
Center	2400W (3700W*)
PowerBoost	3700W
Performance	
Induction cooking technology	●
Heat settings	8
PowerBoost	●
Cleaning	
Flat easy clean glass surface	●
Safety	
Safety time out	●
Pan detection system	●
Surface hot indicators	●
Spillage auto off	●
Controls	
Soft-touch electronic controls	●
PowerBoost indicator	●
Power requirements	
Supply voltage	240V (208V)
Supply frequency	60Hz
AMP draw	48A
Warranty	1 year



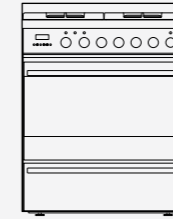
Type of appliance	36" 5 Element Electric Cooktop
Model no.	CE365DBX1
Finish	Ceramic glass Stainless trim
Dimensions	H4 1/4" x W35 3/4" x D20 3/8"
Elements	5 including 2 dual elements
Element ratings	
Left front	1700W/700W
Right front	1200W
Left rear	1200W
Right rear	1800W
Center	2500W/1100W
Performance	
Hi-light high speed ribbon elements	●
Dual element	2
SuperSimmer	20W
Cleaning	
Flat easy clean glass surface	●
Safety	
Temperature limiters	●
Individual hot surface indicators	●
Controls	
Satin chrome control dials	●
Permanent laser etched graphics	●
On indicator	●
Power requirements	
Supply voltage	240V
Supply frequency	60Hz
AMP draw	35A
Warranty	1 year



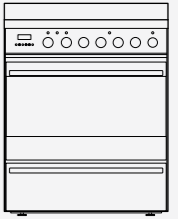
Type of appliance	36" Gas Range
Model no.	OR36SDBGX2
Finish	Stainless steel Black reflective glass
Dimensions	H35 ⁷ / ₁₆ -37 ¹ / ₂ " x W35 ¹ / ₈ " x D23 ³ / ₃₂ "
Total capacity	4 cu.ft
Shelf positions	3
Burners	5
Oven functions	4
Bake	●
Convection Bake	●
Broil	●
Defrost	●
Burner ratings (using natural gas)	
Semi-rapid burner	6,000 BTU
Triple ring wok burner	12,000 BTU
Dual burner	2,800-16,000 BTU
Performance	
Broil	15,000 BTU
Bake	21,000 BTU
Electronic ignition	●
LPG/Natural gas compatible	●
Cast iron trivets	●
Cleaning	
Acid resistant graphite enamel	●
Removable oven door	●
Removable inner door glass	●
Safety	
Glazed door	Triple glazed
Door and cavity cooling system	●
Non-tip shelves	●
Anti-tilt bracket	●
Flame failure	●
Cooling fan warning light	●
Controls	
Electronic clock	●
Automatic cooking/minute timer	●
Power requirements	
Supply voltage	120V
Supply frequency	60Hz
AMP draw	0.575A
Accessories	
Broiling pan + rack	●
Step down oven shelf	2
Wok stand	●
LPG conversion kit	●
Warranty	1 year



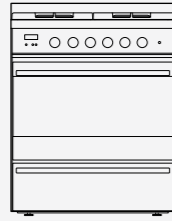
Type of appliance	30" Induction Range
Model no.	OR30SDPWIX1
Finish	Stainless steel Black reflective glass
Dimensions	H35 ² / ₃₂ -36 ¹ / ₃₂ " x W29 ⁷ / ₈ " x D24 ⁷ / ₃₂ "
Total capacity	3.6 cu.ft
Shelf positions	5
Cooktop	4 Induction zones
Oven functions	7 + Self-clean
Bake	●
Convection Bake	●
Fan Bake	●
Broil	●
Convection Broil	●
Defrost	●
Warm	●
Self-clean	●
Zone ratings	
2300W	●
1400W	●
1850W	2
PowerBoost	Up to 3700W (zone dependent)
Performance	
Induction cooking technology	●
Active venting	●
Warming drawer	●
Lights	2 (Rear)
Cleaning	
Flat easily clean glass surface	●
Acid resistant graphite enamel	●
Self-clean	●
Safety	
Glazed door	Cool-touch triple glazed door
Door and cavity cooling system	●
Non-tip shelves	●
Anti-tilt bracket	●
Controls	
Electronic clock	●
Automatic cooking/minute timer	●
Indicator light	●
Power requirements	
Supply voltage	240-208/120V
Supply frequency	60Hz
AMP draw	45.6A (240V) 48.4A (208V)
Accessories	
Step down oven shelf	●
Flat shelf	●
Anti-tilt kit	●
Warranty	2 years



Type of appliance	30" Dual Fuel Range
Model no.	OR30SDPWGX1
Finish	Stainless steel Black reflective glass
Dimensions	H35 ² / ₃₂ -36 ¹ / ₃₂ " x W29 ⁷ / ₈ " x D24 ⁷ / ₃₂ "
Total capacity	3.6 cu.ft
Shelf positions	5
Cooktop	4 Gas burners
Oven functions	7 + Self-clean
Bake	●
Convection Bake	●
Fan Bake	●
Broil	●
Convection Broil	●
Defrost	●
Warm	●
Self-clean	●
Burner ratings (using natural gas)	
Semi-rapid burner	8,000 BTU (2)
Mini dual burner	17,000 BTU
Dual wok burner	17,000 BTU
Performance	
Broil	10,000 BTU
Bake	10,500 BTU
Active venting	●
Electronic ignition	●
LPG/Natural gas compatible	●
Cast iron trivets	●
Warming drawer	●
Lights	2 (Rear)
Cleaning	
Acid resistant graphite enamel	●
Removable oven door	●
Self-clean	●
Safety	
Glazed door	Cool-touch triple glazed door
Door and cavity cooling system	●
Non-tip shelves	●
Anti-tilt bracket	●
Flame failure	●
Controls	
Electronic clock	●
Automatic cooking/minute timer	●
Indicator light	●
Power requirements	
Supply voltage	240-208/120V
Supply frequency	60Hz
AMP draw	14.8A (240V) 12.8A (208V)
Accessories	
Broiler pan	●
Step down oven shelf	●
Flat shelf	●
Anti-tilt kit	●
Wok stand	●
Warranty	2 years



Type of appliance	30" Electric Range
Model no.	OR30SDPWSX1
Finish	Stainless steel Black reflective glass
Dimensions	H35 ² / ₃₂ -36 ¹ / ₃₂ " x W29 ⁷ / ₈ " x D24 ⁷ / ₃₂ "
Total capacity	3.6 cu.ft
Shelf positions	5
Cooktop	4 Ceramic zones
Oven functions	7 + Self-clean
Bake	●
Convection Bake	●
Fan Bake	●
Broil	●
Convection Broil	●
Defrost	●
Warm	●
Self-clean	●
Zone ratings	
1200W	2
2100W	2
Performance	
Active venting	●
Storage drawer	●
Lights	2 (Rear)
Cleaning	
Flat easily clean glass surface	●
Acid resistant graphite enamel	●
Self-clean	●
Safety	
Glazed door	Cool-touch triple glazed door
Door and cavity cooling system	●
Non-tip shelves	●
Anti-tilt bracket	●
Controls	
Electronic clock	●
Automatic cooking/minute timer	●
Indicator light	●
Power requirements	
Supply voltage	240-208/120V
Supply frequency	60Hz
AMP draw	42.3A (240V) 44.6A (208V)
Accessories	
Broiler pan	●
Step down oven shelf	●
Flat shelf	●
Anti-tilt kit	●
Warranty	2 years



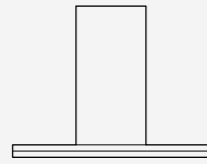
Type of appliance	30" Gas Range
Model no.	OR30SDBMX1
Finish	Stainless steel Black reflective glass
Dimensions	H35 ⁷ / ₃₂ "-36 ¹ / ₃₂ " x W29 ¹ / ₈ " x D24 ³ / ₃₂ "
Total capacity	3.6 cu.ft
Shelf positions	5
Cooktop	4 Gas burners
Oven functions	3 + light
Bake	●
Fan Bake	●
Broil	●
Burner ratings	
Semi-rapid	8,000 BTU (2)
Dual burner	17,000 BTU (2)
Performance	
LPG/Natural gas compatible	●
Storage drawer	●
Lights	2 (Rear)
Cleaning	
Acid resistant graphite enamel	●
Safety	
Glazed door	Cool-touch triple glazed door
Door and cavity cooling system	●
Flame failure	●
Non-tip shelves	●
Anti-tilt bracket	●
Controls	
Electronic clock	●
Indicator light	●
Power requirements	
Supply voltage	240-208/120V
Supply frequency	60Hz
AMP draw	0.92A
Accessories	
Broiler pan	●
Step down oven shelf	●
Flat shelf	●
Anti-tilt kit	●
Wok stand	●
Warranty	2 years



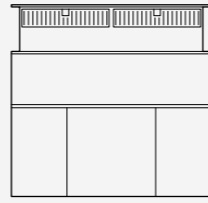
Type of appliance	24" Dual Fuel Range
Model no.	OR24SDPWGX2
Finish	Stainless steel Black reflective glass
Dimensions	H35 ¹ / ₃₂ "-36 ⁷ / ₃₂ " x W23 ⁷ / ₈ " x D24 ¹ / ₁₆ "
Total capacity	2 cu.ft
Shelf positions	4
Burners	4
Oven functions	6 + Self-clean
Bake	●
Fan Forced	●
Broil	●
Fan Broil	●
Ventilated Double Broil	●
Defrost	●
Self-clean	●
Burner ratings	
Auxiliary burner	3,500 BTU
Semi-rapid burner	6,000 BTU
Triple ring wok burner	12,000 BTU
Performance	
Broil	3,000W
Bake	2,800W
Convection Bake	2,200W
Warming drawer	500W
Cleaning	
Acid resistant graphite enamel	●
Removable oven door	●
Self-clean	●
Safety	
Glazed door	Cool-touch 5 pane glass
Door and cavity cooling system	●
Non-tip shelves	●
Anti-tilt bracket	●
Flame failure	●
Controls	
Electronic clock	●
Automatic cooking/minute timer	●
Power requirements	
Supply voltage	120-240V
Supply frequency	60Hz
AMP draw	15.2A
Accessories	
Broiling pan + rack	●
Oven shelf	2
Wok stand	●
Warming drawer shelf	●
Warranty	1 year



Type of appliance	24" Gas Range
Model no.	OR24SDMBGX2
Finish	Stainless steel Black reflective glass
Dimensions	H35 ⁷ / ₁₆ "-36 ⁷ / ₃₂ " x W23 ⁷ / ₈ " x D24 ³ / ₃₂ "
Total capacity	2.5 cu.ft
Shelf positions	3
Burners	4
Oven functions	4
Bake	●
Convection Bake	●
Broil	●
Defrost	●
Burner ratings (using natural gas)	
Auxiliary burner	3,500 BTU
Semi-rapid burner	6,000 BTU
Triple ring wok burner	12,000 BTU
Performance	
Broil	8,500 BTU
Bake	13,000 BTU
Electronic ignition	●
LPG/Natural gas compatible	●
Cast iron trivets	●
Cleaning	
Acid resistant graphite enamel	●
Removable oven door	●
Removable inner door glass	●
Safety	
Glazed door	Triple glazed
Door and cavity cooling system	●
Non-tip shelves	●
Anti-tilt bracket	●
Flame failure	●
Cooling fan warning light	●
Controls	
Electronic clock	●
Automatic cooking/minute timer	●
Power requirements	
Supply voltage	120V
Supply frequency	60Hz
AMP draw	0.1A
Accessories	
Broiling pan + rack	●
Oven shelf	2
Wok stand	●
LPG conversion kit	●
Warranty	1 year



Type of appliance	36" Wall Canopy Rangehood
Model no.	HC36DTXB1
Finish	Stainless steel Black glass
Dimensions	H25-40 3/4" x W35 7/8" x D19 1/16"
Fan ratings	
Max air movement	542 CFM
Max decibel rating	48dBA
Performance	
Centrifugal fan	●
Fan speeds	4
Cleaning	
Dishwasher safe aluminium mesh filters	●
Easy-clean interior plate	●
Installation	
Two piece adjustable flue with optional extensions	●
Ducted or recirculating options	●
Controls	
Soft-touch buttons	●
Timer function	●
Angled halogen lights	2 x 50W
Power requirements	
Supply voltage	110-120V
Supply frequency	60Hz
AMP draw	10A
Optional accessories	
Recirculating kit	●
Charcoal filter	●
Warranty	1 year



Type of appliance	36" Downdraft
Model no.	DD-36SS
Finish	Stainless steel
Dimensions	H8 1/4" x W36" x D1 1/2"
Fan ratings	
Max air movement	600 CFM
Performance	
Fan speeds	Variable speeds
Cleaning	
Dishwasher safe aluminium mesh filters	●
Easy-clean	●
Controls	
Simple one touch operation	●
Power requirements	
Supply voltage	120V
Supply frequency	60Hz
AMP draw	15A
Warranty	1 year

OB24 Built-in Oven and OR30 & OR24 Dual Fuel Range

	Oven Light Remains lit while the oven is in use, but can also be used independently from the other cooking functions.
	Bake Heat is provided from the upper and lower elements. A traditional cooking mode, suitable for single shelf cooking of items like cakes, delicate items like sponges, custard tart and crème brûlée.
	Fan Bake (OR30 Electric oven models only) The oven fan circulates hot air from upper and lower elements and distributes it around the cavity. Food browns more quickly, great for crisping pastry. Suitable for robust items like cookies, scones and muffins.
	Broil The broil element delivers heat for fast, healthy grilling. Perfect for tender meat cuts, toasting and crisping.
	Ventilated Broil/Convection Broil/Fan Broil The oven fan circulates hot air from the top element for high speed broiling and produces food with a finish that is similar to a rotisserie. Food is crisp and brown on the outside while the inside remains moist and tender.
	Ventilated Cooking with Double Broil (OB24 & OR24 Dual Fuel only) The oven fan circulates hot air from the top element for high speed broiling and produces food with a finish that is similar to a rotisserie. Food is crisp and brown on the outside while the inside remains moist and tender.
	Convection Bake A very flexible method of cooking. A concealed element surrounding the fan at the rear of the oven heats air which is then distributed evenly around the cavity. This is the ideal mode for multi-shelf cooking and complete oven meals.
	Defrost The oven fan circulates air around the oven, speeding up the defrosting process by up to 30%.
	Self-clean During the self-clean cycle, the oven reaches higher temperatures than it does for cooking, breaking down soil and grease deposits which can be wiped away with a damp cloth.

OR24 and OR36 Gas Range

	Bake The heat is produced by the oven burner. A traditional cooking mode, suitable for single shelf cooking of items like cakes, delicate items like sponges, custard tart and crème brûlée.
	Convection Bake A very flexible method of cooking. The heat produced by the oven burner is distributed throughout the oven cavity by the fan. This is the ideal mode for multi-shelf cooking and complete oven meals.
	Defrost The oven fan circulates air around the oven, speeding up the defrosting process by up to 30%.
	Broil The broil element delivers heat for fast, healthy grilling. Perfect for tender meat cuts, toasting and crisping.

OB30 Built-in Oven models

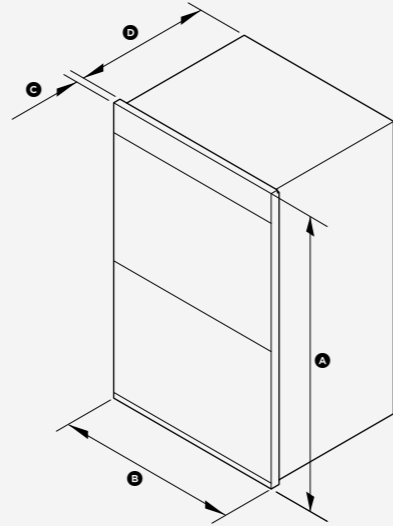
	Aero™ Pastry Heat from the lower concealed element is circulated throughout the oven cavity by the Aero™ fan. Excellent for sweet and savory pastry foods, for moist breads and brownies and biscuits that you want extra chewy.
	Roast A two step program that has been developed to help you cook delicious roasts effortlessly. This function is a combination of grill and bake, grilling your food for the first 20 minutes then bakes at the set temperature for the rest of your cooking time. This sears the meat to keep in the juices.
	Bake The oven fan circulates hot air from the top outer and lower concealed elements and distributes it around the oven cavity. Aero™ Bake is great for crisping pastry in lemon meringue pie and vegetable filo parcels.
	Aero™ Bake The oven fan circulates hot air from the top outer and lower concealed elements and distributes it around the oven cavity. Aero™ Bake is great for crisping pastry in lemon meringue pie and vegetable filo parcels.
	Pastry Bake Uses the heat from the lower element only, this is a traditional cooking mode which is suitable for recipes that were developed in older ovens. For best results, cook on only one shelf at a time. Perfect for foods that require delicate cooking and have a pastry base, like custard tarts, quiches and cheesecake or anything that does not require direct heat and browning on the top surface.
	Maxi Broil Delivers intense heat from the entire top element. It is the most suitable mode for 'finishing off' many meals, for example browning the top of potato gratin and frittata as well as cooking smaller cuts of meat. Use Maxi Grill to toast bread or grill your favorite chicken, fish and steak.
	Aero™ Broil Produces food with a finish that is similar to a rotisserie. Meat, poultry and vegetables cook beautifully; food is crisp and brown on the outside while the inside remains moist and tender.
	Broil Delivers intense heat from the inner region of the top element. Great when you need to quickly grill smaller dishes, for example crème brûlée or one to two portions of your usual favorites, like crispy chicken breasts or a steak.
	TrueAero™ A concealed heating element surrounding the fan in the rear of the oven heats air which is then blown into the cavity. The consistent temperature creates an ideal oven environment producing goods which are well risen and evenly colored.
	Warm A constant low heat of 165°F (75°C). It is excellent for keeping cooked food hot and warming plates and serving dishes.
	Self-clean During the self-clean cycle, the oven reaches higher temperatures than it does for cooking, breaking down soil and grease deposits which can be wiped away with a cloth afterwards.

Note: Use all oven functions with the oven door closed.

30" Double Built-in Oven

Model no:
OB30DDEPX2

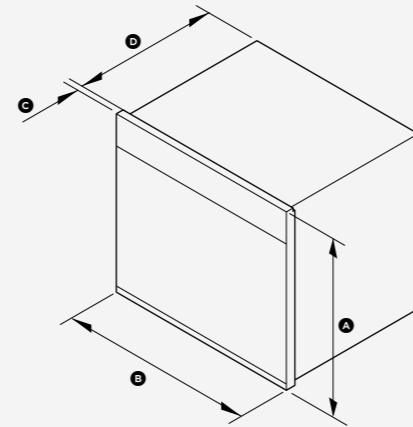
Dimensions	inches
Ⓐ Overall height of product	48 1/2"
Ⓑ Overall width of product	29 29/32"
Ⓒ Depth of product front and control panel (excl. handle and dials)	1 1/2"
Ⓓ Depth of product chassis	22 1/2"



30" Single Built-in Oven

Model no:
OB30SDEPX2

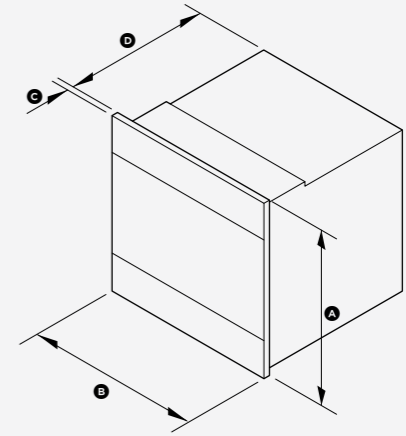
Dimensions	inches
Ⓐ Overall height of product	27 1/8"
Ⓑ Overall width of product	29 29/32"
Ⓒ Depth of product front and control panel (excl. handle and dials)	1 1/2"
Ⓓ Depth of product chassis	22 1/2"



24" Single Built-in Oven

Model no:
OB24SDPX4

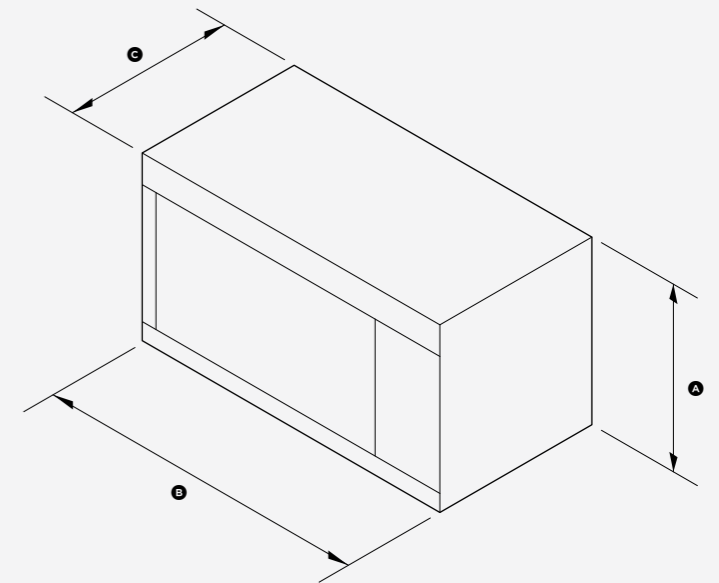
Dimensions	inches
Ⓐ Overall height of product	24"
Ⓑ Overall width of product	24"
Ⓒ Depth of product front and control panel (excl. handle and dials)	7/8"
Ⓓ Depth of product chassis	22 1/2"



30" Over the Range Microwave

Model no:
CMOH-30SS

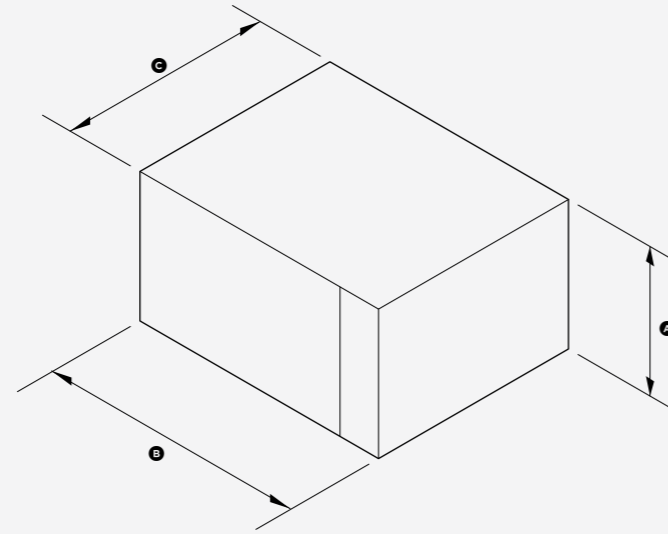
Dimensions	inches
Ⓐ Overall height of product	16 1/2"
Ⓑ Overall width of product	29 15/16"
Ⓒ Overall depth of product	15 1/2"



24" Traditional Microwave

Model no:
MO-24SS-2

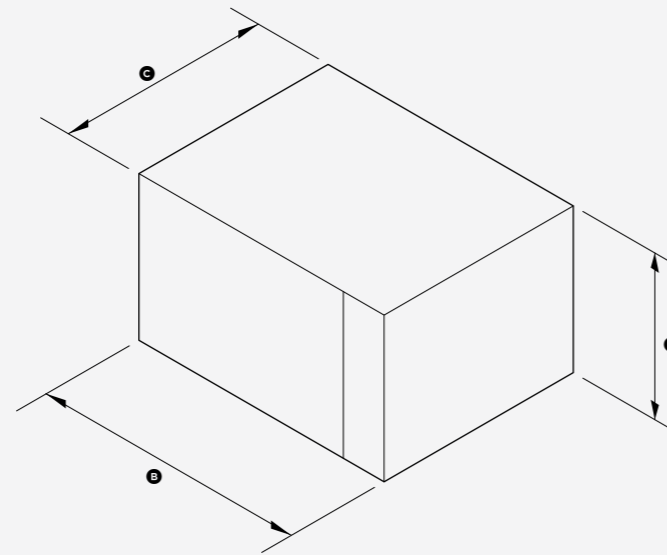
Dimensions	inches
Ⓐ Overall height of product	13 3/8"
Ⓑ Overall width of product	24"
Ⓒ Overall depth of product	19 1/8"



24" Convection Microwave

Model no:
CMO-24SS-2

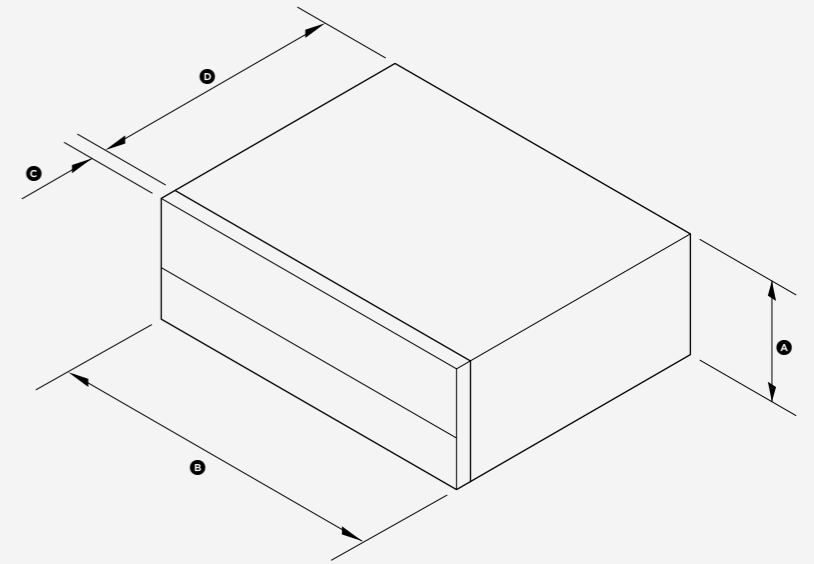
Dimensions	inches
Ⓐ Overall height of product	14 7/8"
Ⓑ Overall width of product	24 3/8"
Ⓒ Overall depth of product	19"



30" Warming Drawer

Model no:
OD30WDX2

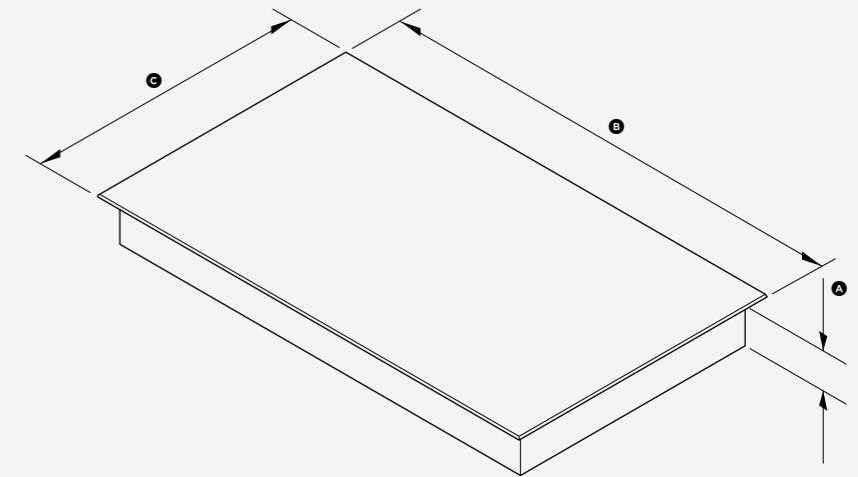
Dimensions	inches
Ⓐ Overall height of product	10 1/2"
Ⓑ Overall width of product	29 11/16"
Ⓒ Depth of product front (excl. handle)	1 1/2"
Ⓓ Depth of product chassis	23 1/2"



CookSurface Deep

Model no:
CG363MLDNGB1

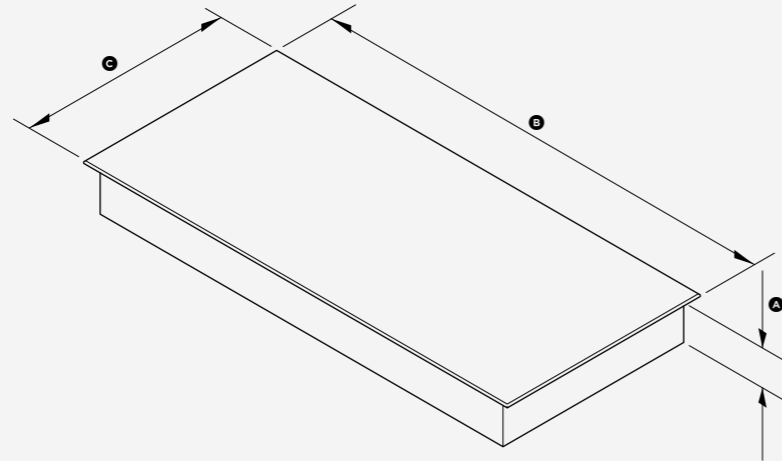
Dimensions	inches
Ⓐ Height of chassis (below top of counter)	3 1/2"
Ⓑ Overall width of product	35 7/16"
Ⓒ Overall depth of product	20 7/8"



CookSurface

Model no:
CG363MLNGB1

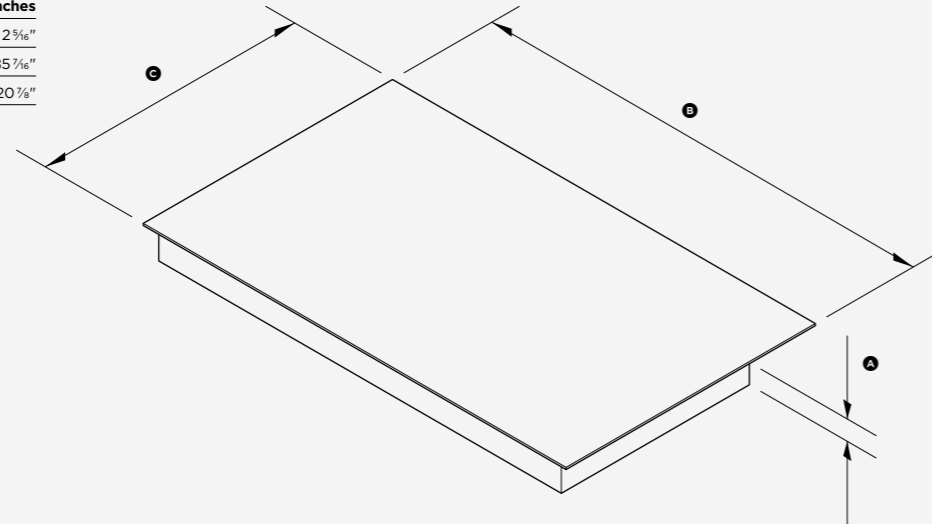
Dimensions	inches
Ⓐ Height of chassis (below top of counter)	3 1/2"
Ⓑ Overall width of product	35 7/16"
Ⓒ Overall depth of product	16 3/2"



36" 5 Burner Gas Cooktop

Model no:
CG365DNGX1,
CG365DLPX1

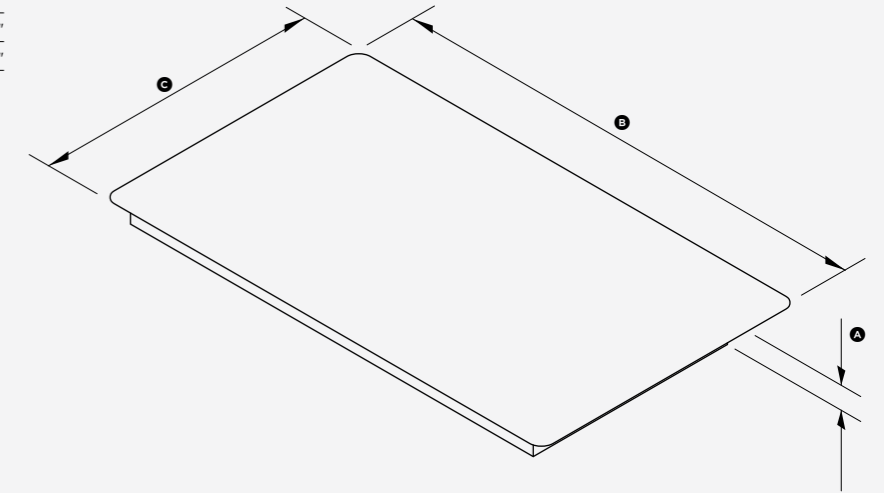
Dimensions	inches
Ⓐ Overall height of chassis (below top of counter)	2 3/16"
Ⓑ Overall width of product	35 3/16"
Ⓒ Overall depth of product	20 7/16"



36" 5 Burner Gas Cooktop

Model no:
CG365DWACX1

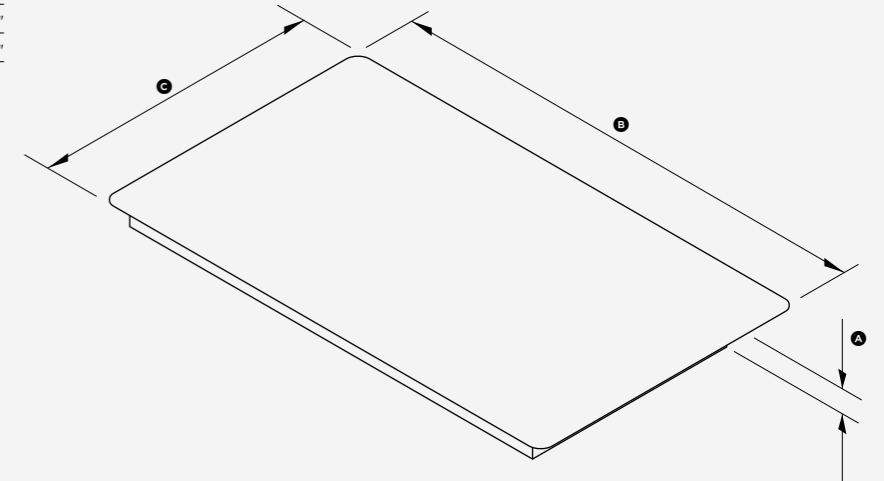
Dimensions	inches
Ⓐ Overall height of chassis (below top of counter)	2 3/2"
Ⓑ Overall width of product	35 3/2"
Ⓒ Overall depth of product	21 1/2"



36" 5 Burner Gas Cooktop

Model no:
CG365CWACX1

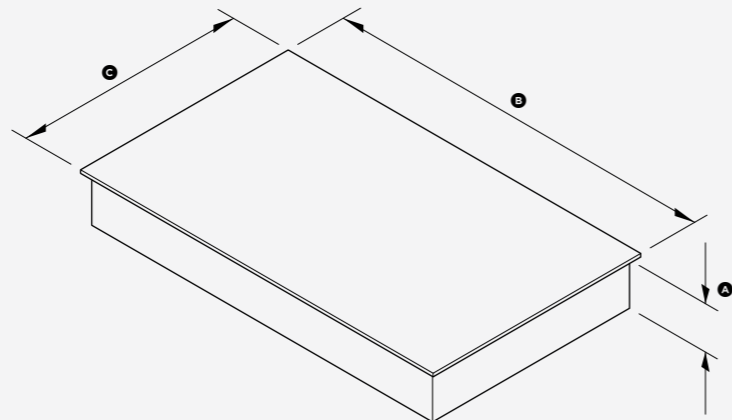
Dimensions	inches
Ⓐ Overall height of chassis (below top of counter)	2 3/16"
Ⓑ Overall width of product	35 3/2"
Ⓒ Overall depth of product	21 1/2"



36" 5 Zone Induction Cooktop

Model no:
CI365DTB1

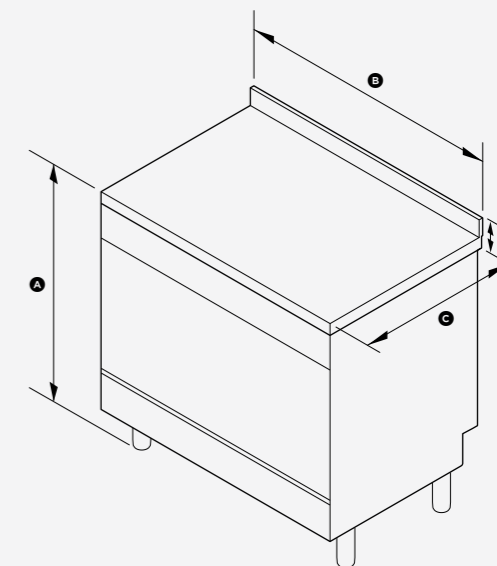
Dimensions	inches
Ⓐ Height of chassis incl. conduit junction (below top of counter)	4 1/2"
Ⓑ Overall width of product	35 7/8"
Ⓒ Overall depth of product	20 7/8"



36" Gas Range

Model no:
OR36SDBGX2

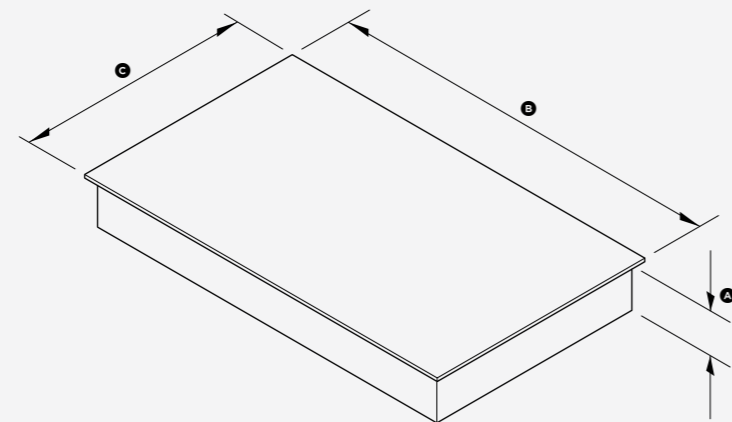
Dimensions	inches
Ⓐ Overall height of product (to top of cooktop, excl. pan supports)	min. 35 7/8" -max. 37 1/2"
Ⓑ Overall width of product	35 1/8"
Ⓒ Overall depth of product (excl. handle and dials)	23 3/2"
Ⓓ Backguard height	8"
Island trim available	3"



36" 5 Element Electric Cooktop

Model no:
CE365DBX1

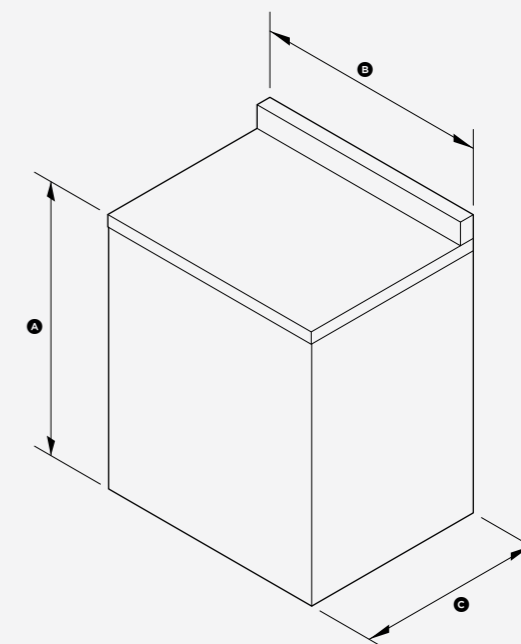
Dimensions	inches
Ⓐ Height of chassis incl. conduit junction (below top of counter)	4 1/4"
Ⓑ Overall width of product	35 7/8"
Ⓒ Overall depth of product	20 7/8"



30" Multifunction Range Cooker

Model no:
**OR30SDPWIX1, OR30SDPWGX1,
OR30SDPWSX1, OR30SDBWX1**

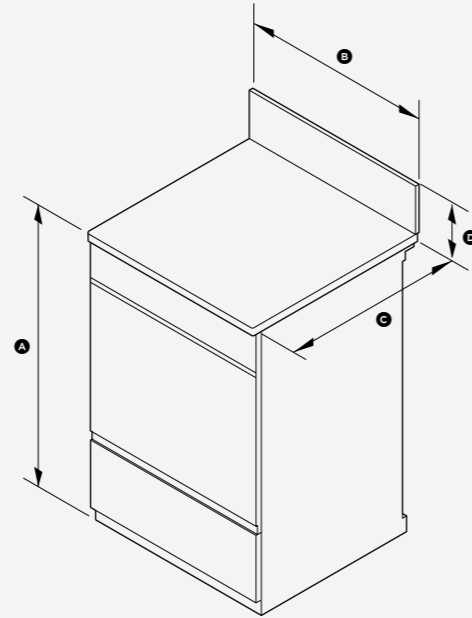
Dimensions	inches
Ⓐ Overall height of product (to top of cooktop, excl. pan supports)	min. 35 2 1/2" -max. 36 1 1/2"
Ⓑ Overall width of product	29 7/8"
Ⓒ Overall depth of product (excl. handle and dials, incl. splashback)	24 7/2"



24" Dual Fuel Range

Model no:
OR24SDPWGX2

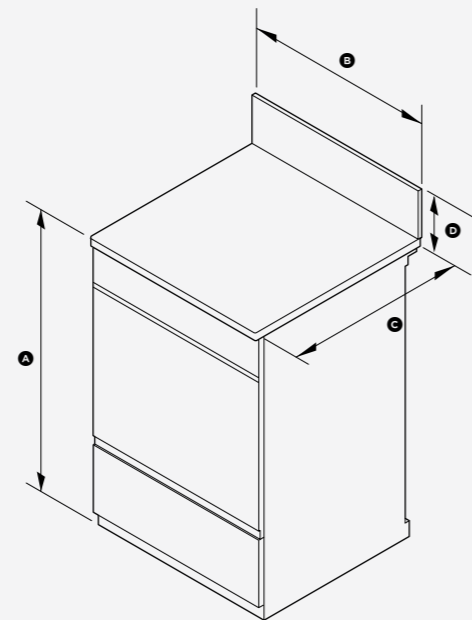
Dimensions	inches
Ⓐ Overall height of product (to top of cooktop, excl. pan supports)	min. 35 1/2" -max. 36 7/2"
Ⓑ Overall width of product	23 7/8"
Ⓒ Overall depth of product (excl. handle and dials)	24 13/16"
Ⓓ Backguard height	4 7/16"



24" Gas Range

Model no:
OR24SDMBGX2

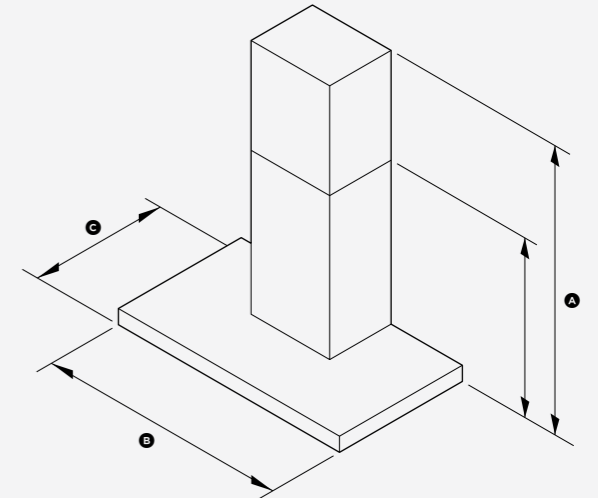
Dimensions	inches
Ⓐ Overall height of product (to top of cooktop, excl. pan supports)	min. 35 7/16" -max. 36 7/2"
Ⓑ Overall width of product	23 7/8"
Ⓒ Overall depth of product (excl. handle and dials)	24 3/2"
Ⓓ Backguard height	4 7/16"



36" Wall Canopy Rangehood

Model no:
HC36DTXB1

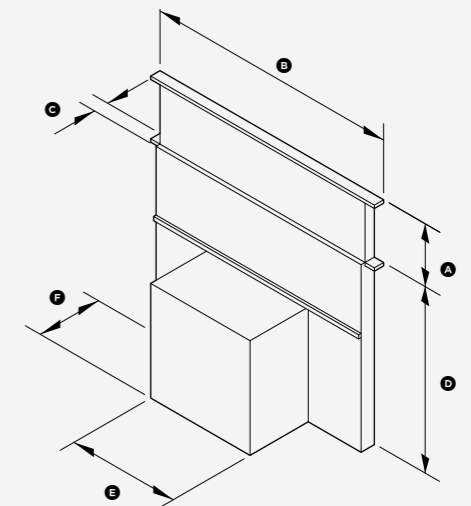
Dimensions	inches
Ⓐ Overall height of product	min. 25" -max. 40 3/4"
Ⓑ Overall width of product	35 7/16"
Ⓒ Overall depth of product	19 11/16"



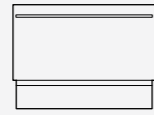
36" Downdraft

Model no:
DD-36SS

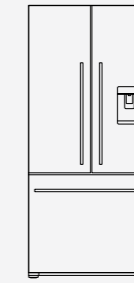
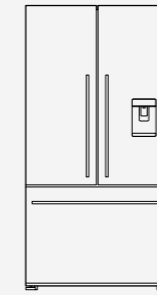
Dimensions	inches
Ⓐ Height of vent from top of counter (in raised position)	8 1/4"
Ⓑ Overall width of product	36"
Ⓒ Depth of vent	1 1/2"
Ⓓ Height of vent when retracted (including chassis)	26 1/8"
Ⓔ Width of blower housing	16"
Ⓕ Depth of blower housing	9 3/8"



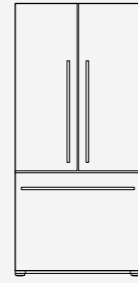
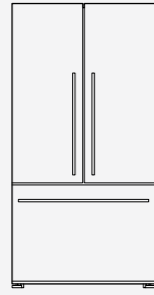
C O O L



Type of appliance	36" CoolDrawer™
Model no.	RB36S25MKIW1
Finish	●
Integrated	●
EZKleen stainless steel façade	Part number 840545
Dimensions	H25 3/16" x W33 23/32" x D21 1/16"
Capacity	
Total gross volume	3.1 cu.ft
ENERGY STAR certified	In freezer mode
Energy usage (kWh per year)	145 as refrigerator, 279 as freezer
Modes	
Chill (31°F)	●
Pantry (54°F)	●
Wine (45-59°F)	●
Refrigerator (37°F)	●
Freezer (0°F)	●
Features	
Touch control glass interface	●
Key lock	●
Variable temperature control	●
Fruit and vegetable drawer & pullout tray	●
Customizable storage container	●
Drawer alarm	●
Warranty	
Parts & labor	1 year
Additional sealed system parts	4 years



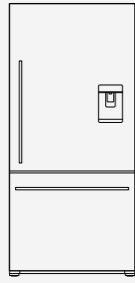
	French Door Refrigerator	French Door Refrigerator	French Door Ice & Water Refrigerator
Model no.	RF201ADUSX4	RF195ADUX1	RF170ADUSX4
Finish	EZKleen stainless steel flat door Concealed hinge Counter depth	EZKleen stainless steel flat door Counter depth silver prepaint cabinet	EZKleen stainless steel flat door Concealed hinge Counter depth
Dimensions (excluding handles)	H70 1/2" x W35 7/16" x D27 3/8"	H70" x W35 5/8" x D27 3/8"	H67 1/2" x W31 3/32" x D27 3/8"
Capacity			
Refrigerator	14.6 cu ft	13.8 cu.ft	12.1 cu.ft
Freezer	5.5 cu ft	5.7 cu.ft	4.8 cu.ft
Total	20.1 cu ft	19.5 cu.ft	16.9 cu.ft
ENERGY STAR certified	●	●	●
Energy usage (kWh per year)	550	445	540
Performance			
ActiveSmart™ technology	●	●	●
Frost free freezer	●	●	●
Adaptive defrost	●	●	●
Humidity control system	●	●	●
Sabbath mode	●	●	●
Refrigerator			
Ultra slim water dispenser	●		●
Soft-close doors	●		●
SmartTouch control panel	●		●
Door alarm	●	●	●
Adjustable glass shelves	3	●	3
Fruit and vegetable bins	2	3	2
Stackable bottle holders	4	2	4
Adjustable door shelves	6	6	6
Covered door shelves	2	2	2
LED light	●		●
Deli storage bins	2	2	
Freezer			
Built-in ice maker	●	●	●
Ice Boost	●		●
Fast freeze	●	●	●
Bottle chill	●	●	●
Large plastic bin	2	2	●
Small plastic bins	●	●	●
Ice bin and scoop	●	●	●
LED light	●	●	●
Door alarm	●	●	●
Accessories			
Water filter	Part number 836848	Part number 13040210	Part number 836848
Stainless steel surround kit	Part number 23989		Part number 23990
Warranty			
Parts & labor	1 year	1 year	1 year
Additional sealed system parts	4 years	4 years	4 years



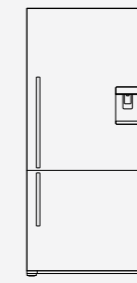
Type of appliance	French Door Refrigerator	French Door Refrigerator
Model no.	RF201ADX4	RF170ADX4
Finish	EZKleen stainless steel flat door Concealed hinge Counter depth	EZKleen stainless steel flat door Concealed hinge Counter depth
Dimensions (excluding handles)	H70 ¹ / ₂ " x W35 ¹ / ₁₆ " x D27 ³ / ₈ "	H67 ¹ / ₂ " x W31 ³ / ₂ " x D27 ³ / ₈ "
Capacity (net)		
Refrigerator	14.6 cu ft	12.1 cu.ft
Freezer	5.5 cu ft	4.8 cu.ft
Total	20.1 cu ft	16.9 cu.ft
Energy usage (kWh per year)	550	540
Performance		
ActiveSmart™ technology	●	●
Frost free freezer	●	●
Adaptive defrost	●	●
Humidity control system	●	●
Sabbath mode	●	●
Refrigerator		
SmartTouch control panel	●	●
Door alarm	●	●
Adjustable glass shelves	3	3
Fruit and vegetable bins	2	2
Stackable bottle holders	4	4
Adjustable door shelves	6	6
Covered door shelves	2	2
LED light	●	●
Deli storage bins	2	
Freezer		
Fast freeze	●	●
Bottle chill	●	●
Large plastic bin	2	●
Small plastic bins	●	2
Ice tray	●	●
LED light	●	
Door alarm	●	●
Accessories		
Stainless steel surround kit	Part number 23989	Part number 23990
Warranty		
Parts & labor	1 year	1 year
Additional sealed system parts	4 years	4 years



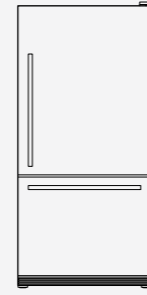
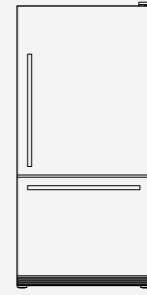
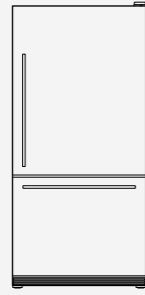
Type of appliance	Ice & Water Bottom Freezer Refrigerator	Ice & Water Bottom Freezer Refrigerator
Model no.	RF175WDRUX1 RF175WDLUX1	RF175WCRUX1 RF175WCLUX1
Finish	EZKleen stainless steel flat door Counter depth silver prepaint cabinet	EZKleen stainless steel curved door Counter depth silver prepaint cabinet
Dimensions (excluding handles)	H70" x W32 ³ / ₄ " x D27 ³ / ₈ "	H70" x W32 ³ / ₄ " x D27 ³ / ₈ "
Capacity		
Refrigerator	12.4 cu.ft	12.4 cu.ft
Freezer	5.1 cu.ft	5.1 cu.ft
Total	17.5 cu.ft	17.5 cu.ft
ENERGY STAR certified	●	●
Energy usage (kWh per year)	440	440
Performance		
ActiveSmart™ technology	●	●
Frost free freezer	●	●
Adaptive defrost	●	●
Humidity control system	●	●
Sabbath mode	●	●
Refrigerator		
Water dispenser	●	●
Door alarm	●	●
Adjustable cantilevered glass shelves	3	3
Fruit & vegetable bins	2	2
Adjustable door shelves	5	5
Covered door shelves	2	2
Halogen light	●	●
Freezer		
Built-in ice maker	●	●
Large plastic bin	●	●
Small plastic bins	2	2
Ice bin and scoop	●	●
Halogen light	●	●
Door alarm	●	●
Accessories		
Water filter	Part number 13040210	Part number 13040210
Warranty		
Parts & labor	1 year	1 year
Additional sealed system parts	4 years	4 years



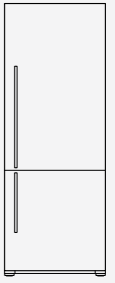
Type of appliance	Ice & Water Bottom Freezer Refrigerator
Model no.	RF170WDRUX4 RF170WDLUX4
Finish	EZKleen stainless steel flat door Concealed hinge Counter depth
Dimensions (excluding handles)	H67 ¹ / ₂ " x W31 ³ / ₂ " x D27 ³ / ₈ "
Capacity	
Refrigerator	12.3 cu.ft
Freezer	4.8 cu.ft
Total	17.1 cu.ft
Energy usage (kWh per year)	498
Performance	
ActiveSmart™ technology	●
Frost free freezer	●
Adaptive defrost	●
Humidity control system	●
Sabbath mode	●
Refrigerator	
Ultra slim water dispenser	●
SmartTouch control panel	●
Door alarm	●
Adjustable glass shelves	4
Fruit & vegetable bins	2
Stackable bottle holders	2
Adjustable door shelves	4
Covered door shelves	2
LED light	●
Freezer	
Built-in ice maker	●
Ice Boost	●
Fast freeze	●
Bottle chill	●
Large plastic bin	●
Small plastic bins	2
Ice bin and scoop	●
Door alarm	●
Accessories	
Water filter	Model number 836848
Stainless steel surround kit (L-hand hinge)	Part number 23986
(R-hand hinge)	Part number 23987
Pigeon pair (two appliances joined)	Part number 23988
Joiner kit	Part number 819264
Warranty	
Parts & labor	1 year
Additional sealed system parts	4 years



Type of appliance	Ice & Water Bottom Freezer Refrigerator	Ice & Water Bottom Freezer Refrigerator
Model no.	RF135BDRUX4 RF135BDLUX4	E522BRXU4 E522BLXU4
Finish	EZKleen stainless steel flat door Concealed hinge Counter depth	EZKleen stainless steel curved door Curved handle Counter depth
Dimensions (excluding handles)	H67 ¹ / ₂ " x W25" x D28 ³ / ₈ "	H67 ¹ / ₂ " x W31 ³ / ₂ " x D28 ³ / ₈ "
Capacity		
Refrigerator	9.6 cu.ft	12.4 cu.ft
Freezer	3.8 cu.ft	5.2 cu.ft
Total	13.4 cu.ft	17.6 cu.ft
Energy usage (kWh per year)	520	536
Performance		
ActiveSmart™ technology	●	●
Frost free freezer	●	●
Adaptive defrost	●	●
Humidity control system	●	●
Sabbath mode	●	●
Refrigerator		
Ultra slim water dispenser	●	●
SmartTouch control panel	●	●
Door alarm	●	●
Adjustable glass shelves	2	4
Fruit & vegetable bins	2	2
Stackable bottle holders	2	2
Adjustable door shelves	2	4
Covered door shelves	2	2
Egg trays		2
LED light	●	●
Freezer		
Built-in ice maker	●	●
Ice Boost	●	●
Fast freeze	●	●
Bottle chill	●	●
Large plastic bin	●	●
Small plastic bins	2	2
Ice bin and scoop	●	●
Centre roll out tray	●	●
Door alarm	●	●
Accessories		
Water filter	Part number 836848	Part number 836848
Stainless steel surround kit (L-hand hinge)	Part number 23980	
(R-hand hinge)	Part number 23981	
Pigeon pair (two appliances joined)	Part number 23982	
Joiner kit	Part number 819264	Part number 819264
Warranty		
Parts & labor	1 year	1 year
Additional sealed system parts	4 years	4 years

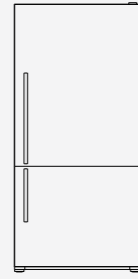
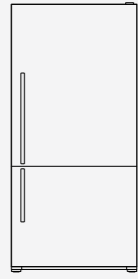


Type of appliance	Bottom Freezer Refrigerator		
Model no.	RF175WDRX1 RF175WDLX1	RF175WCRX1 RF175WCLX1	RF175WCRW1 RF175WCLW1
Finish	EZKleen stainless steel flat door Counter depth silver prepaint cabinet	EZKleen stainless steel curved door Curved handle Counter depth silver prepaint cabinet	White curved door Curved handle Counter depth white prepaint cabinet
Dimensions (excluding handles)	H70" x W32 3/4" x D27 3/8"	H70" x W32 3/4" x D27 3/8"	H70" x W32 3/4" x D27 3/8"
Capacity			
Refrigerator	12.4 cu.ft	12.4 cu.ft	12.4 cu.ft
Freezer	5.1 cu.ft	5.1 cu.ft	5.1 cu.ft
Total	17.5 cu.ft	17.5 cu.ft	17.5 cu.ft
ENERGY STAR certified	●	●	●
Energy usage (kWh per year)	440	440	440
Performance			
ActiveSmart™ technology	●	●	●
Frost free freezer	●	●	●
Adaptive defrost	●	●	●
Humidity control system	●	●	●
Sabbath mode	●	●	●
Refrigerator			
Door alarm	●	●	●
Adjustable cantilevered glass shelves	3	3	3
Fruit & vegetable bins	2	2	2
Adjustable door shelves	5	5	5
Covered door shelves	2	2	2
Halogen light	●	●	●
Freezer			
Large plastic bin	●	●	●
Small plastic bins	2	2	2
Ice trays	2	2	2
Halogen light	●	●	●
Door alarm	●	●	●
Warranty			
Parts & labor	1 year	1 year	1 year
Additional sealed system parts	4 years	4 years	4 years



Type of appliance	Bottom Freezer Refrigerator	
Model no.	RF170WDRX4 RF170WDLX4	
Finish	EZKleen stainless steel flat door Concealed hinge Counter depth	
Dimensions (excluding handles)	H67 1/2" x W31 3/2" x D27 3/8"	
Capacity		
Refrigerator	12.3 cu.ft	
Freezer	4.8 cu.ft	
Total	17.1 cu.ft	
Energy usage (kWh per year)	498	
Performance		
ActiveSmart™ technology	●	
Frost free freezer	●	
Adaptive defrost	●	
Humidity control system	●	
Sabbath mode	●	
Refrigerator		
SmartTouch control panel	●	
Door alarm	●	
Adjustable glass shelves	4	
Fruit & vegetable bins	2	
Stackable bottle holders	2	
Adjustable door shelves	4	
Covered door shelves	2	
LED light	●	
Freezer		
Fast freeze	●	
Bottle chill	●	
Large plastic bin	●	
Small plastic bins	2	
Ice tray	●	
Door alarm	●	
Accessories		
Stainless steel surround kit		
(L-hand hinge)	Part number 23986	
(R-hand hinge)	Part number 23987	
Pigeon pair (two appliances joined)	Part number 23988	
Joiner kit	Part number 819264	
Warranty		
Parts & labor	1 year	
Additional sealed system parts	4 years	

Type of appliance	Bottom Freezer	
Model no.	RF135BDRX4 RF135BDLX4	
Finish	EZKleen stainless steel flat door Concealed hinge Counter depth	
Dimensions (excluding handles)	H67 1/2" x W25" x D27 3/8"	
Capacity (gross)		
Refrigerator	9.6 cu.ft	
Freezer	3.8 cu.ft	
Total	13.4 cu.ft	
Energy usage (kWh per year)	520	
Performance		
ActiveSmart™ technology	●	
Frost free freezer	●	
Adaptive defrost	●	
Humidity control system	●	
Sabbath mode	●	
Refrigerator		
SmartTouch control panel	●	
Door alarm	●	
Adjustable glass shelves	4	
Fruit and vegetable bins	2	
Stackable bottle holders	2	
Adjustable door shelves	4	
Covered door shelves	2	
Egg trays	2	
LED light	●	
Freezer		
Fast freeze	●	
Bottle chill	●	
Large plastic bin	●	
Small plastic bins	2	
Ice tray	2	
Centre roll out tray	●	
Door alarm	●	
Accessories		
L-hand hinge	Part number 23980	
R-hand hinge	Part number 23981	
Pigeon pair (two appliances joined)	Part number 23982	
Joiner kit	Part number 819264	
Warranty		
Parts & labor	1 year	
Additional sealed system parts	4 years	



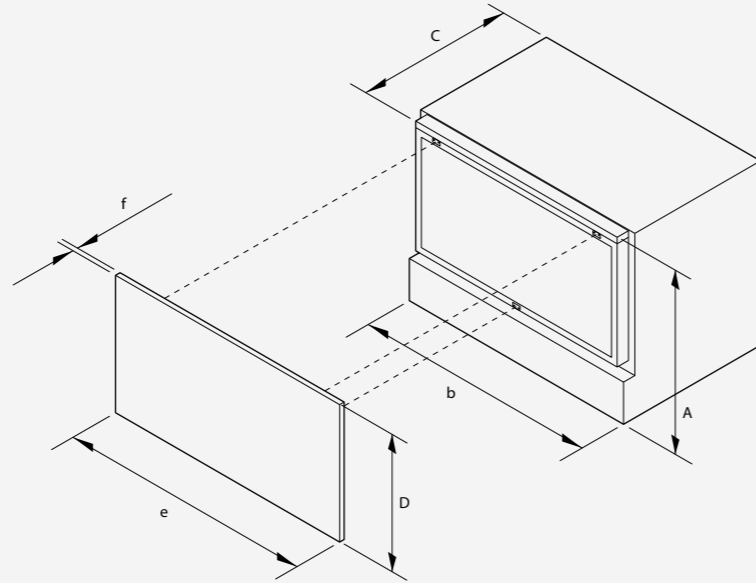
Type of appliance	Bottom Freezer Refrigerator	Bottom Freezer Refrigerator
Model no.	E522BRX4 E522BLX4	E522BRE4 E522BLE4
Finish	EZKleen stainless steel curved door Curved handle Counter depth	White curved door Curved handle Counter depth
Dimensions (excluding handles)	H66 1/16" x W31 1/2" x D28 5/32"	H66 1/16" x W31 1/2" x D28 5/32"
Capacity		
Refrigerator	12.4 cu.ft	12.4 cu.ft
Freezer	5.2 cu.ft	5.2 cu.ft
Total	17.6 cu.ft	17.6 cu.ft
Energy usage (kWh per year)	536	536
Performance		
ActiveSmart™ technology	●	●
Frost free freezer	●	●
Adaptive defrost	●	●
Humidity control system	●	●
Sabbath mode	●	●
Refrigerator		
SmartTouch control panel	●	●
Door alarm	●	●
Adjustable glass shelves	4	4
Fruit & vegetable bins	2	2
Stackable bottle holders	2	2
Adjustable door shelves	4	4
Covered door shelves	2	2
Egg trays	2	2
LED light	●	●
Freezer		
Fast freeze	●	●
Bottle chill	●	●
Large plastic bin	●	●
Small plastic bins	2	2
Ice trays	2	2
Centre roll out tray	●	●
Door alarm	●	●
Accessories		
Stainless steel surround kit		
(L-hand hinge)	Part number 23986	Part number 23986
(R-hand hinge)	Part number 23987	Part number 23987
Pigeon pair (two appliances joined)	Part number 23988	Part number 23988
Joiner kit	Part number 819264	Part number 819264
Warranty		
Parts & labor	1 year	1 year
Additional sealed system parts	4 years	4 years

36" CoolDrawer™

Model no:
RB36S25MKIW1

Dimensions	inches
Ⓐ Overall height of product	25 3/16"
ⓐ Overall width of product	33 2 1/2"
ⓒ Overall depth of product	21 15/16"
Ⓞ Height of product front	18 3/4"
ⓔ Width of product front	35 3/4"
ⓕ Depth of product front (excludes handle)	1 1/8"

*Optional EZKleen Stainless Steel drawer panel; alternatively door and false panel to be manufactured and fitted by cabinetmaker.



19.5 cu.ft French Door Refrigerator (Flat door)

Model no:
RF195ADUX1 (Ice & Water)

Dimensions	inches
Ⓐ Overall height of product (to top hinge)	70"
ⓐ Overall width of product	35 5/8"
ⓒ Overall depth of product (excl. handles, incl. evaporator)	27 3/8"

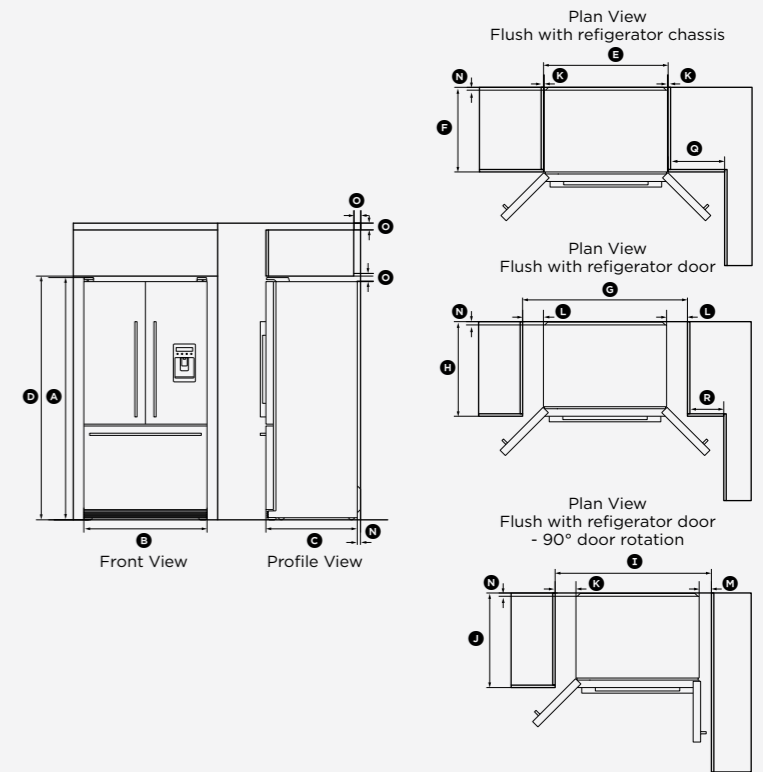
Cabinetry dimensions	inches
Ⓞ Inside height of cavity	70 1/2"

Flush with refrigerator chassis - full door rotation	inches
ⓔ Inside width	36"
ⓕ Inside depth	24 1/2"

Flush with refrigerator door - full door rotation	inches
Ⓞ Inside width	48 1/8"
Ⓢ Inside depth flush to flat door	27 3/8"

Flush with refrigerator door - 90° rotation	inches
Ⓡ Inside width	45 5/8"
Ⓣ Inside depth flush to flat door	27 3/8"

Minimum clearances	inches
Ⓧ Side clearance	3/16"
Ⓛ Side clearance - flush with door - full rotation	6"
Ⓜ Side clearance - flush with door - 90° rotation	3 3/16"
Ⓨ Rear clearance (incl. rear compartment)	1"
Ⓩ Top clearance - above refrigerator cabinet	1 1/4"
ⓐ Vent - around top of cupboard (optional)	2"
ⓑ Door clearance - hinge side flush with chassis - full rotation	16 3/16"
ⓓ Door clearance - hinge side flush with door - full rotation	10 1/2"



20.1 cu.ft French Door Refrigerator (Flat door)

Model no:
RF201ADUX4 (Ice & Water), RF201ADX4

Dimensions	inches
Ⓐ Overall height of product	70 13/32"
ⓐ Overall width of product	35 3/16"
ⓒ Overall depth of product (excl. handles, incl. evaporator)	27 3/8"

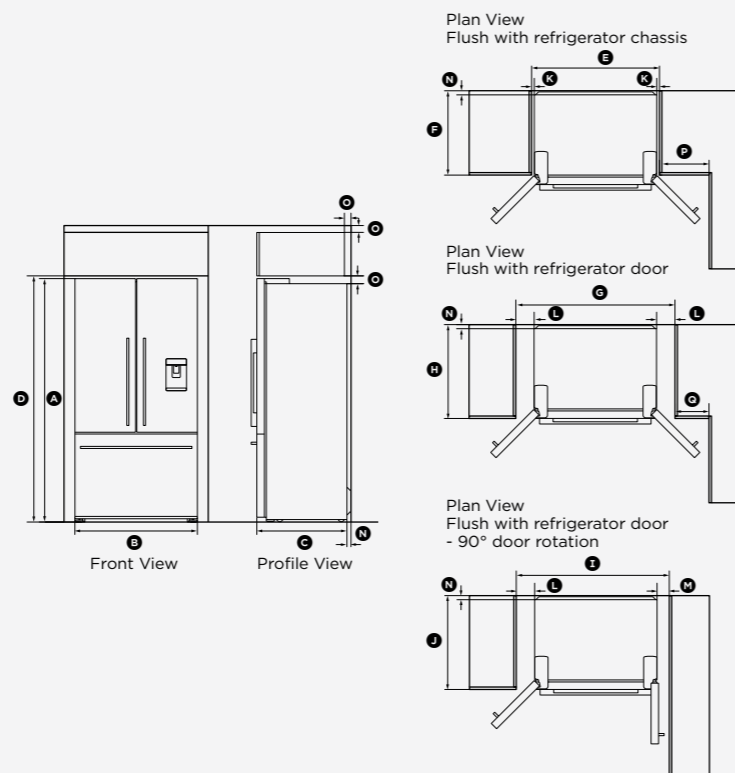
Cabinetry dimensions	inches
Ⓞ Inside height of cavity	71 1/4"

Flush with refrigerator chassis - full door rotation	inches
ⓔ Inside width	46 1/16"
ⓕ Inside depth	27 3/8"

Flush with refrigerator door - full door rotation	inches
Ⓞ Inside width	44 3/32"
Ⓢ Inside depth flush to flat door	27 3/8"

Flush with refrigerator door - 90° rotation	inches
Ⓡ Inside width	45 5/8"
Ⓣ Inside depth flush to flat door	27 3/8"

Minimum clearances	inches
Ⓧ Side clearance	2 5/32"
Ⓛ Side clearance - flush with door - full rotation	5 3/16"
Ⓜ Side clearance - flush with door - 90° rotation	3 17/32"
Ⓨ Rear clearance (incl. rear compartment)	3 1/2"
Ⓩ Vent (above refrigerator cabinet or around top of cupboard)	1 31/32"
ⓑ Door clearance - hinge side flush with chassis - full rotation	14 3/8"
ⓓ Door clearance - hinge side flush with door - full rotation	9 27/32"



17 cu.ft French Door Refrigerator (Flat door)

Model no:
RF170ADUX4 (Ice & Water), RF170ADX4

Dimensions	inches
Ⓐ Overall height of product	67 17/32"
ⓐ Overall width of product	31 1/2"
ⓒ Overall depth of product (excl. handles, incl. evaporator)	27 3/8"

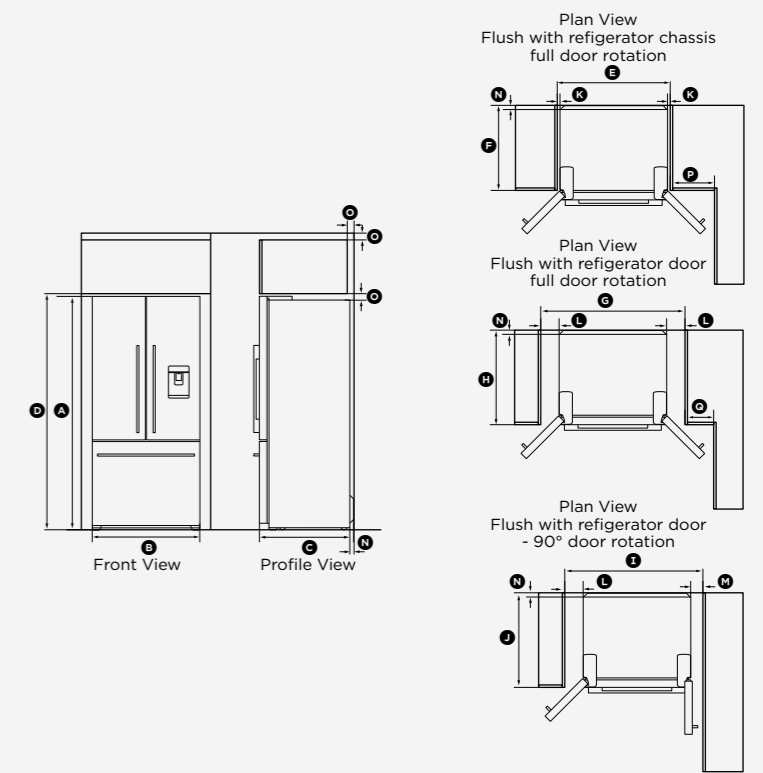
Cabinetry dimensions	inches
Ⓞ Inside height of cavity	68 3/16"

Flush with refrigerator chassis - full door rotation	inches
ⓔ Inside width	32 11/16"
ⓕ Inside depth	24 13/32"

Flush with refrigerator door - full door rotation	inches
Ⓞ Inside width	41 23/32"
Ⓢ Inside depth flush to flat door	27 3/8"

Flush with refrigerator door - 90° rotation	inches
Ⓡ Inside width	39 31/32"
Ⓣ Inside depth flush to flat door	27 3/8"

Minimum clearances	inches
Ⓧ Side clearance	2 5/32"
Ⓛ Side clearance - hinge side flush with door - full rotation	5 3/16"
Ⓜ Side clearance - hinge side flush with door - 90° rotation	3 17/32"
Ⓨ Rear clearance (incl. evaporator tray)	1 3/16"
Ⓩ Vent (above refrigerator cabinet or around top of cupboard)	1 31/32"
ⓑ Door clearance - hinge side flush with chassis - full rotation	12 25/32"
ⓓ Door clearance - hinge side flush with door - full rotation	8 3/32"

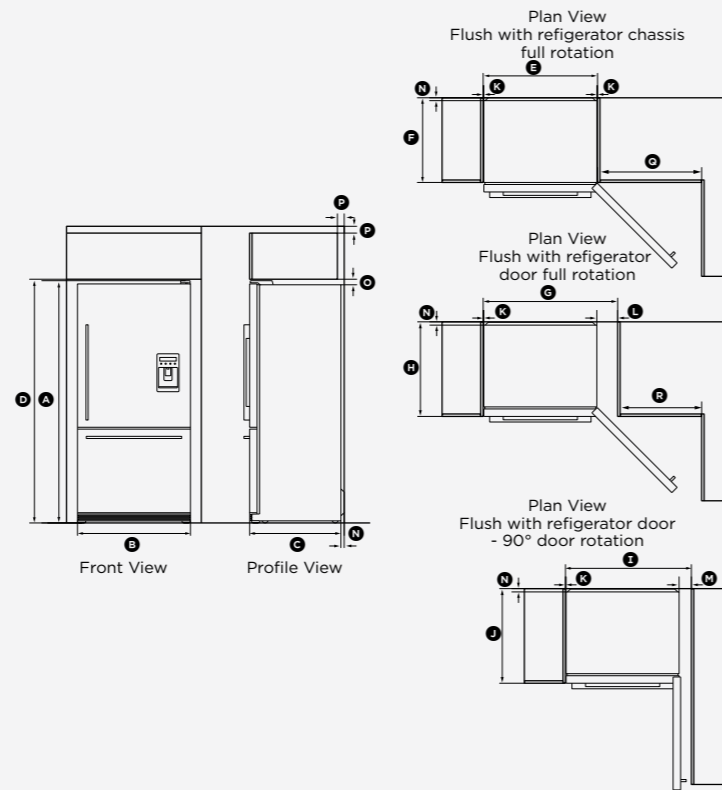


17.5 cu.ft Bottom Freezer Refrigerator

Model no:

RF175WDRUX1, RF175WDLUX1, RF175WCRUX1, RF175WCLUX1 (Ice & Water), RF175WDRX1, RF175WDLX1, RF175WCRX1, RF175WCLX1, RF175WCRW1, RF175WCLW1

Dimensions	inches
Ⓐ Overall height of product (to top of hinge)	70"
Ⓑ Overall width of product	32 3/4"
Ⓒ Overall depth of product (excl. handle, incl. evaporator)	27 3/8"
Cabinetry dimensions	
Ⓓ Inside height of cavity	70 1/2"
Flush with refrigerator chassis	
Ⓔ Inside width	33"
Ⓕ Inside depth	24 1/2"
Flush with refrigerator door	
Ⓖ Inside width	38 7/8"
Ⓜ Inside depth flush to flat door	27 3/8"
Flush with refrigerator door -90° rotation	
Ⓛ Inside width	36 3/8"
Ⓟ Inside depth flush to flat door	27 3/8"
Minimum clearances	
Ⓝ Side clearance	3/16"
Ⓟ Side clearance-flush with door-full rotation	6"
Ⓜ Side clearance-flush with door-90° rotation	3 3/16"
Ⓝ Rear clearance (including rear compartment)	1"
Ⓟ Top clearance-above refrigerator cabinet	1 1/4"
Ⓟ Vent-around top of cupboard (optional)	2"
Ⓟ Door clearance-hinge side flush with chassis-full rotation	30 1/8"
Ⓟ Door clearance-hinge side flush with door-full rotation	24 3/8"

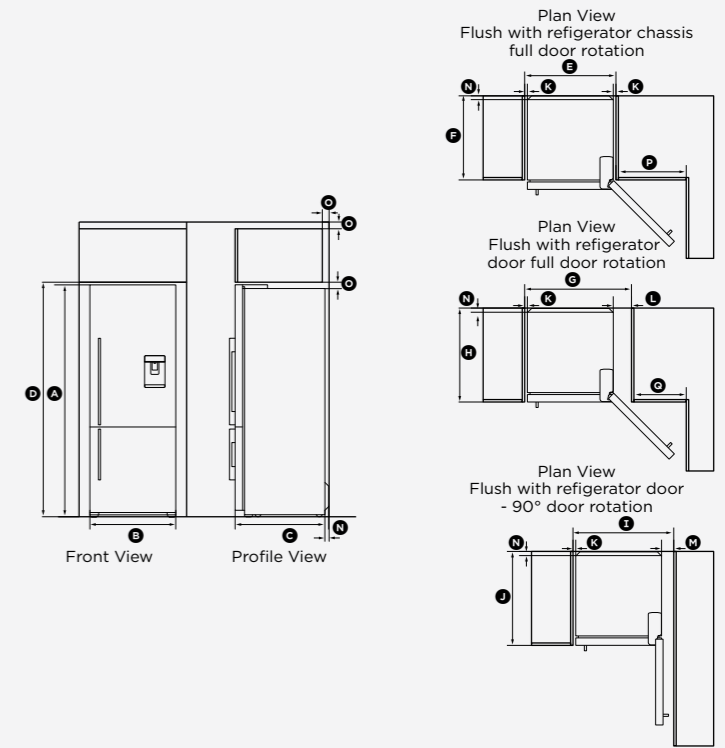


13.5 cu.ft Bottom Freezer Refrigerator (Flat door)

Model no:

RF135BDRUX4, RF135BDLUX4 (Ice & Water), RF135BDRX4, RF135BDLX4

Dimensions	inches
Ⓐ Overall height of product	67 1/2"
Ⓑ Overall width of product	25"
Ⓒ Overall depth of product (excl. handle, incl. evaporator)	27 3/8"
Cabinetry dimensions	
Ⓓ Inside height of cavity	68 5/16"
Flush with refrigerator chassis-full door rotation	
Ⓔ Inside width	26 3/16"
Ⓕ Inside depth	24 1 3/32"
Flush with refrigerator door-full door rotation	
Ⓖ Inside width	31 3/32"
Ⓜ Inside depth flush to flat door	27 3/8"
Flush with refrigerator door-90° rotation	
Ⓛ Inside width	29 1 1/32"
Ⓟ Inside depth flush to flat door	27 3/8"
Minimum clearances	
Ⓝ Side clearance	2 5/32"
Ⓟ Side clearance-hinge side flush with door-full rotation	5 5/16"
Ⓜ Side clearance-hinge side flush with door-90° rotation	3 1 1/32"
Ⓝ Rear clearance (including evaporator tray)	1 3/16"
Ⓟ Vent (above refrigerator cabinet or around top of cupboard)	1 3 1/32"
Ⓟ Door clearance-hinge side flush with chassis-full rotation	20 1 1/32"
Ⓟ Door clearance-hinge side flush with door-full rotation	15 1 1/16"

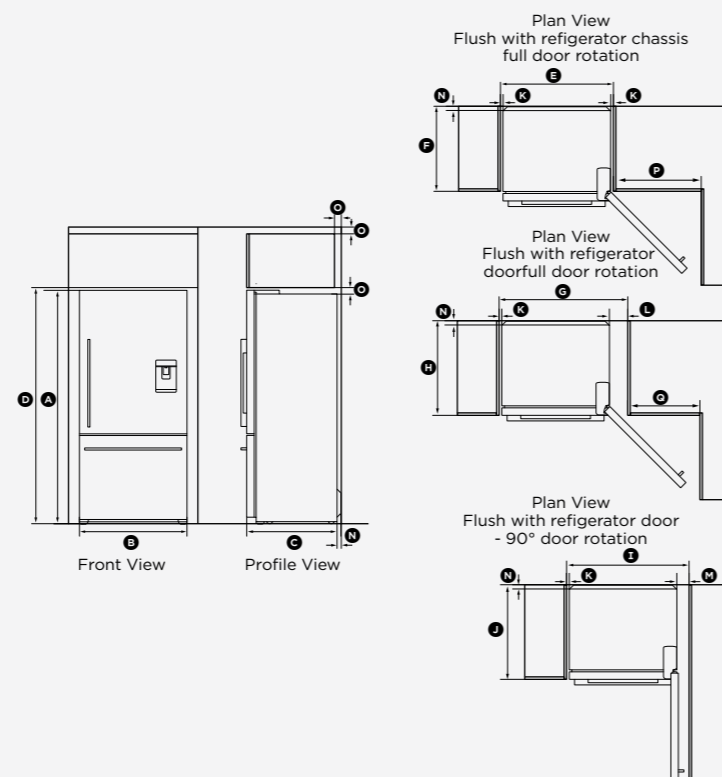


17 cu.ft Bottom Freezer Refrigerator (Flat door)

Model no:

RF170WDRUX4, RF170WDLUX4 (Ice & Water), RF170WDRX4, RF170WDLX4

Dimensions	inches
Ⓐ Overall height of product	67 1 1/2"
Ⓑ Overall width of product	31 3 1/2"
Ⓒ Overall depth of product (excl. handle, incl. evaporator)	27 3 8"
Cabinetry dimensions	
Ⓓ Inside height of cavity	68 5 16"
Flush with refrigerator chassis-full door rotation	
Ⓔ Inside width	32 1 1 16"
Ⓕ Inside depth	24 1 3 32"
Flush with refrigerator door-full door rotation	
Ⓖ Inside width	37 7 32"
Ⓜ Inside depth flush to flat door	27 3 8"
Flush with refrigerator door-90° rotation	
Ⓛ Inside width	35 7 16"
Ⓟ Inside depth flush to flat door	27 3 8"
Minimum clearances	
Ⓝ Side clearance	2 5 32"
Ⓟ Side clearance-hinge side flush with door-full rotation	5 5 16"
Ⓜ Side clearance-hinge side flush with door-90° rotation	3 1 7 32"
Ⓝ Rear clearance (including evaporator tray)	1 3 16"
Ⓟ Vent (above refrigerator cabinet or around top of cupboard)	1 3 3 32"
Ⓟ Door clearance-hinge side flush with chassis-full rotation	25 1 3 32"
Ⓟ Door clearance-hinge side flush with door-full rotation	20 7 8"

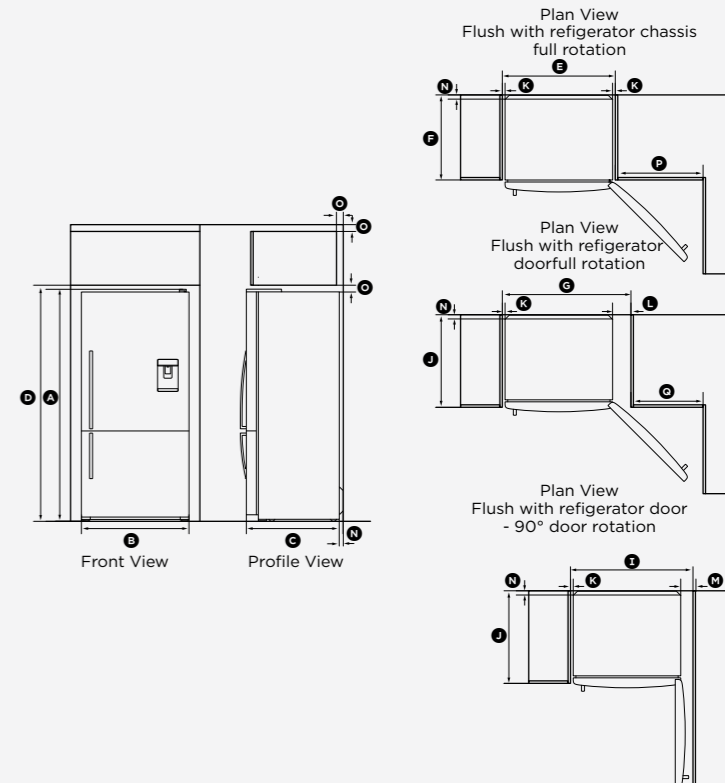


17.6 cu.ft Bottom Freezer Refrigerator (Curved door)

Model no:

E522BRXU4, E522BLXU4 (Ice & Water)

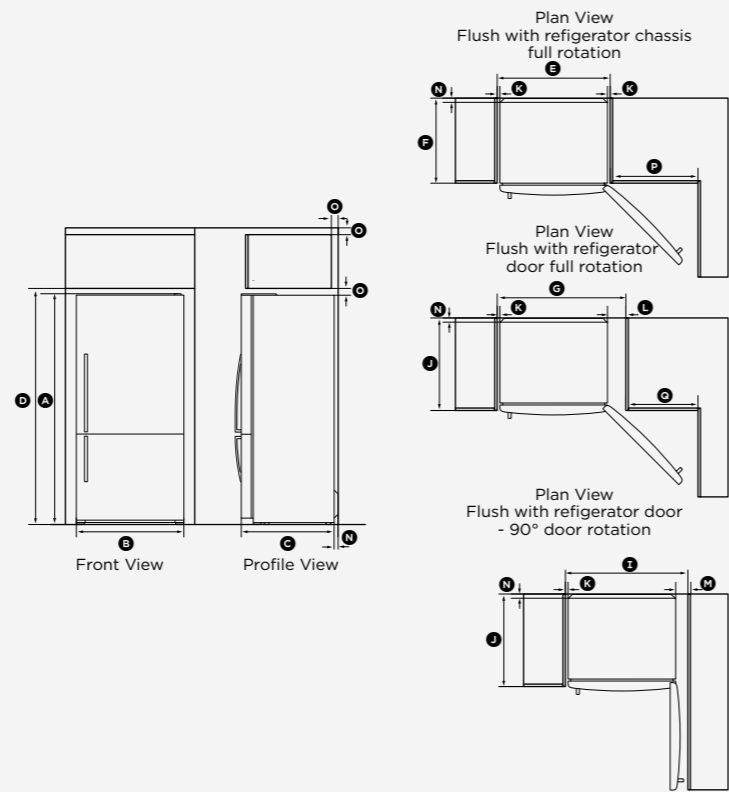
Dimensions	inches
Ⓐ Overall height of product	67 1 8"
Ⓑ Overall width of product	31 3 2"
Ⓒ Overall depth of product (excl. handle, incl. evaporator)	28 3 2"
Cabinetry dimensions	
Ⓓ Inside height of cavity	68 5 16"
Flush with refrigerator chassis-full door rotation	
Ⓔ Inside width	32 1 1 16"
Ⓕ Inside depth	24 1 3 32"
Flush with refrigerator door-full door rotation	
Ⓖ Inside width	37 7 32"
Ⓜ Inside depth flush to curved door	26 2 5 32"
Flush with refrigerator door-90° rotation	
Ⓛ Inside width	35 7 16"
Ⓟ Inside depth flush to curved door	26 2 5 32"
Minimum clearances	
Ⓝ Side clearance	2 5 32"
Ⓟ Side clearance-hinge side flush with door-full rotation	5 5 16"
Ⓜ Side clearance-hinge side flush with door-90° rotation	3 1 7 32"
Ⓝ Rear clearance (incl. evaporator tray)	1 3 16"
Ⓟ Vent (above refrigerator cabinet or around top of cupboard)	1 3 3 32"
Ⓟ Door clearance-hinge side flush with chassis-full rotation	25 1 3 32"
Ⓟ Door clearance-hinge side flush with door-full rotation	20 7 8"



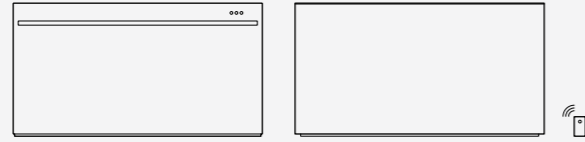
17.6 cu.ft Bottom Freezer Refrigerator (Curved door)

Model no:
E522BRX4, E522BLX4, E522BRE4, E522BLE4

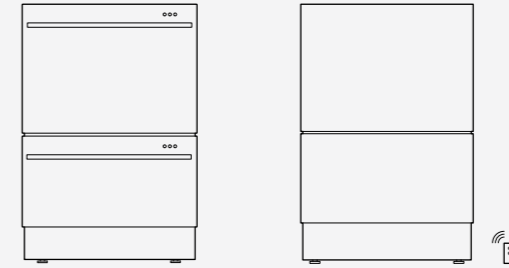
Dimensions	inches
Ⓐ Overall height of product	66 15/16"
Ⓞ Overall width of product	31 3/2"
Ⓒ Overall depth of product (excl. handles, incl. evaporator)	28 3/2"
Cabinetry dimensions	
Ⓢ Inside height of cavity	68 5/16"
Flush with refrigerator chassis - full door rotation	
Ⓞ Inside width	32 11/16"
Ⓟ Inside depth	24 13/2"
Flush with refrigerator door - full door rotation	
Ⓞ Inside width	37 7/2"
Ⓢ Inside depth flush to flat door	26 25/2"
Flush with refrigerator door - 90° rotation	
Ⓢ Inside width	35 7/16"
Ⓟ Inside depth flush to flat door	26 25/2"
Minimum clearances	
Ⓢ Side clearance	2 5/2"
Ⓞ Side clearance - hinge side flush with door - full rotation	5 5/16"
Ⓢ Side clearance - hinge side flush with door - 90° rotation	3 17/2"
Ⓢ Rear clearance (incl. evaporator tray)	1 3/16"
Ⓞ Vent (above refrigerator cabinet or around top of cupboard)	1 33/2"
Ⓟ Door clearance - hinge side flush with chassis - full rotation	25 13/2"
Ⓞ Door clearance - hinge side flush with door - full rotation	20 7/8"



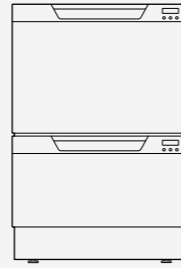
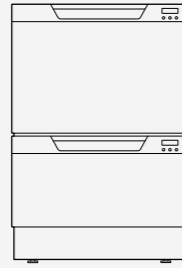
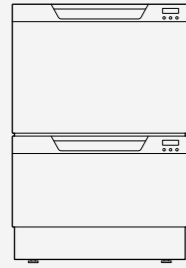
CLEAN



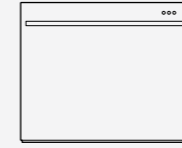
Type of appliance	DishDrawer™ Wide Dishwasher	DishDrawer™ Wide Dishwasher
Model no.	DD36SDFTX2	DD36STI2
Finish	EZKleen stainless steel flat door	Integrated (apply your own cabinetry façade)
Dimensions (excluding handles)	H18 1/16" x W35 1/4" x D22 1/32"	H18 1/16" x W33 7/32" x D22 1/32" - 22 3/16"
Energy rating	ENERGY STAR rated CEE tier 1	ENERGY STAR rated CEE tier 1
Water usage	3.6 gallons per cycle	3.6 gallons per cycle
Performance		
SmartDrive™ technology	●	●
Load sensing	●	●
Flow through detergent dispenser	●	●
Quiet operation	●	●
Fan assisted drying	●	●
Capacity and loading		
Place settings per drawer	9	9
Flexible racking system	●	●
Fold down tines	●	●
Adjustable racks and cup racks	●	●
Accommodates long stemmed glasses	●	●
Accommodates plates up to	12 7/16"	12 7/16"
Wash programs		
Nine wash programs	●	●
Eco options	●	●
Permanent memory of the last cycle used	●	●
Safety		
Three stage total flood protection	●	●
Controls		
Wireless remote		●
Concealed control panels with single touch programming	●	●
Key lock	●	
Child lock	●	
Closed door auto-lock		●
End of cycle beeps	●	●
One button start	●	●
Energy saving delay start option up to 12 hours	●	●
Rinse aid indicator light and lens	●	●
Electronic fault/Diagnostic indicator	●	●
Power requirements		
Supply voltage	110-120V	110-120V
Supply frequency	60Hz	60Hz
AMP draw	6.9A	6.9A
Accessories		
Cutlery basket	●	●
Knife clip	●	●
Multi purpose clip	●	●
Warranty	1 year	1 year



Type of appliance	DishDrawer™ Tall Double Dishwasher	DishDrawer™ Tall Double Dishwasher
Model no.	DD24DDFTX7	DD24DTI7
Finish	EZKleen stainless steel flat door	Integrated (apply your own cabinetry façade)
Dimensions (excluding handles)	H34 1/2" - 36 3/8" x W23 1/2" x D22 1/32"	H34 1/2" - 36 3/8" x W23 1/32" x D22 1/32" - 22 3/16"
Energy rating	ENERGY STAR rated CEE tier 1	ENERGY STAR rated CEE tier 1
Water usage	2 gallons per drawer	2 gallons per drawer
Performance		
SmartDrive™ technology	●	●
Load sensing	●	●
Flow through detergent dispenser	●	●
Quiet operation	●	●
Fan assisted drying	●	●
Built-in water softener		DD24DHTI7 model only
Capacity and loading		
Place settings per drawer	7	7
Flexible racking system	●	●
Fold down and pitch adjustable tines	●	●
Adjustable racks and cup racks	●	●
Accommodates long stemmed glasses	●	●
Accommodates plates up to	13" top drawer	13" top drawer
Wash programs		
Nine wash programs	●	●
Genuine half load wash option	●	●
Eco options	●	●
Permanent memory of the last cycle used	●	●
Safety		
Three stage total flood protection	●	●
Controls		
Wireless remote		●
Concealed control panels with single touch programming	●	●
Key lock	●	
Child lock	●	
Closed door auto-lock		●
End of cycle beeps	●	●
One button start	●	●
Energy saving delay start option up to 12 hours	●	●
Rinse aid indicator light and lens	●	●
Electronic fault/Diagnostic indicator	●	●
Power requirements		
Supply voltage	110-120V	110-120V
Supply frequency	60Hz	60Hz
AMP draw	10.6A	10.6A
Accessories		
Cutlery basket	2	2
Knife clip	2	2
Kickstrip	●	●
Warranty	1 year	1 year



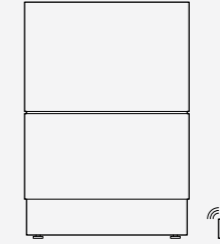
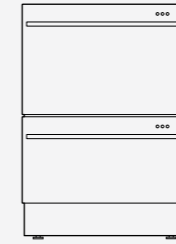
Type of appliance	DishDrawer™ Tall Double Dishwasher	DishDrawer™ Tall Double Dishwasher	DishDrawer™ Tall Double Dishwasher
Model no.	DD24DCTX7	DD24DCTB7	DD24DCTW7
Finish	EZKleen stainless steel curved door	Black curved door	White curved door
Dimensions (excluding handles)	H34 1/2" - 36 3/8" x W23 1/2" x D22 1/2"	H34 1/2" - 36 3/8" x W23 1/2" x D22 3/16"	H34 1/2" - 36 3/8" x W23 1/2" x D22 3/16"
Energy rating	ENERGY STAR rated CEE tier 1	ENERGY STAR rated CEE tier 1	ENERGY STAR rated CEE tier 1
Water usage	2 gallons per drawer	2 gallons per drawer	2 gallons per drawer
Performance			
SmartDrive™ technology	●	●	●
Load sensing	●	●	●
Flow through detergent dispenser	●	●	●
Quiet operation	●	●	●
Fan assisted drying	●	●	●
Built-in water softener	DD24DCTX7 model only		
Capacity and loading			
Place settings per drawer	7	7	7
Flexible racking system	●	●	●
Fold down and pitch adjustable tines	●	●	●
Adjustable racks and cup racks	●	●	●
Accommodates long stemmed glasses	●	●	●
Accommodates plates up to	13" top drawer	13" top drawer	13" top drawer
Wash programs			
Nine wash programs	●	●	●
Genuine half load wash option	●	●	●
Eco options	●	●	●
Permanent memory of the last cycle used	●	●	●
Safety			
Three stage total flood protection	●	●	●
Controls			
Concealed control panels with single touch programming	●	●	●
Key lock	●	●	●
Child lock	●	●	●
End of cycle beeps	●	●	●
One button start	●	●	●
Energy saving delay start option up to 12 hours	●	●	●
Rinse aid indicator light and lens	●	●	●
Electronic fault/Diagnostic indicator	●	●	●
Power requirements			
Supply voltage	110-120V	110-120V	110-120V
Supply frequency	60Hz	60Hz	60Hz
AMP draw	10.6A	10.6A	10.6A
Accessories			
Cutlery basket	2	2	2
Knife clip	2	2	2
Kickstrip	●	●	●
Warranty	1 year	1 year	1 year



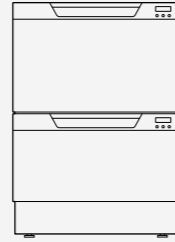
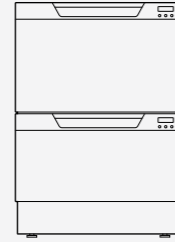
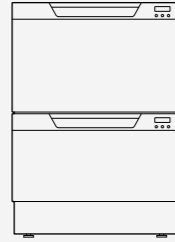
Type of appliance	DishDrawer™ Tall Single Dishwasher	DishDrawer™ Tall Single Dishwasher
Model no.	DD24SDFTX7	DD24SHTI7
Finish	EZKleen stainless steel flat door	Integrated (apply your own cabinetry façade)
Dimensions (excluding handles)	H18 1/16" x W23 1/2" x D22 1/2"	H17 7/8" - 18 1/16" x W23 1/2" x D22 1/2" - 22 3/16"
Energy rating	ENERGY STAR rated CEE tier 1	ENERGY STAR rated CEE tier 1
Water usage	2 gallons per cycle	2 gallons per cycle
Performance		
SmartDrive™ technology	●	●
Load sensing	●	●
Flow through detergent dispenser	●	●
Quiet operation	●	●
Fan assisted drying	●	●
Built-in water softener		DD24SHTI7 model only
Capacity and loading		
Place settings per drawer	7	7
Flexible racking system	●	●
Fold down and pitch adjustable tines	●	●
Adjustable racks and cup racks	●	●
Accommodates long stemmed glasses	●	●
Accommodates plates up to	13"	13"
Wash programs		
9 wash programs	●	●
Eco options	●	●
Permanent memory of the last cycle used	●	●
Safety		
Three stage total flood protection	●	●
Controls		
Wireless remote		●
Concealed control panels with single touch programming	●	●
Key lock	●	
Child lock	●	
Closed door auto-lock		●
End of cycle beeps	●	●
One button start	●	●
Energy saving delay start option up to 12 hours	●	●
Rinse aid indicator light and lens	●	●
Electronic fault/Diagnostic indicator	●	●
Power requirements		
Supply voltage	110-120V	110-120V
Supply frequency	60Hz	60Hz
AMP draw	5.8A	5.8A
Accessories		
Cutlery basket	●	●
Knife clip	●	●
Warranty	1 year	1 year



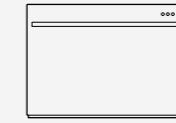
Type of appliance	DishDrawer™ Tall Single Dishwasher DD24SCTX7	DishDrawer™ Tall Single Dishwasher DD24SCTB7	DishDrawer™ Tall Single Dishwasher DD24SCTW7
Model no.	DD24SCTX7	DD24SCTB7	DD24SCTW7
Finish	EZKleen stainless steel curved door	Black curved door	White curved door
Dimensions (excluding handles)	H17 7/8" x W23 1/2" x D22 3/16"	H17 7/8" x W23 1/2" x D22 3/16"	H17 7/8" x W23 1/2" x D22 3/16"
Energy rating	ENERGY STAR rated CEE tier 1	ENERGY STAR rated CEE tier 1	ENERGY STAR rated CEE tier 1
Water usage	2 gallons per cycle	2 gallons per cycle	2 gallons per cycle
Performance			
SmartDrive™ technology	●	●	●
Load sensing	●	●	●
Flow through detergent dispenser	●	●	●
Quiet operation	●	●	●
Fan assisted drying	●	●	●
Built-in water softener	DD24SCTX7 model only		
Capacity and loading			
Place settings per drawer	7	7	7
Flexible racking system	●	●	●
Fold down and pitch adjustable tines	●	●	●
Adjustable racks and cup racks	●	●	●
Accommodates long stemmed glasses	●	●	●
Accommodates plates up to	13"	13"	13"
Wash programs			
Nine wash programs	●	●	●
Eco options	●	●	●
Permanent memory of the last cycle used	●	●	●
Safety			
Three stage total flood protection	●	●	●
Controls			
Concealed control panels with single touch programming	●	●	●
Key lock	●	●	●
Child lock	●	●	●
End of cycle beeps	●	●	●
One button start	●	●	●
Energy saving delay start option up to 12 hours	●	●	●
Rinse aid indicator light and lens	●	●	●
Electronic fault/Diagnostic indicator	●	●	●
Power requirements			
Supply voltage	110-120V	110-120V	110-120V
Supply frequency	60Hz	60Hz	60Hz
AMP draw	5.8A	5.8A	5.8A
Accessories			
Cutlery basket	●	●	●
Knife clip	●	●	●
Warranty	1 year	1 year	1 year



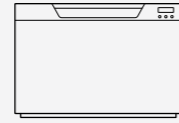
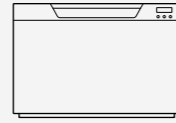
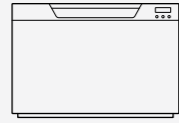
Type of appliance	DishDrawer™ Double Dishwasher DD24DDFX7	DishDrawer™ Double Dishwasher DD24DI7
Model no.	DD24DDFX7	DD24DI7
Finish	EZKleen stainless steel flat door	Integrated (apply your own cabinetry façade)
Dimensions (excluding handles)	H32 3/2" - 34 2/34" x W23 1/2" x D22 1/2"	H32 3/2" - 34 2/34" x W23 1/2" x D22 1/2" - 22 3/16"
Energy rating	ENERGY STAR rated CEE tier 1	ENERGY STAR rated CEE tier 1
Water usage	2 gallons per drawer	2 gallons per drawer
Performance		
SmartDrive™ technology	●	●
Load sensing	●	●
Flow through detergent dispenser	●	●
Quiet operation	●	●
Fan assisted drying	●	●
Capacity and loading		
Place settings per drawer	7	7
Flexible racking system	●	●
Fold down and pitch adjustable tines	●	●
Adjustable racks and cup racks	●	●
Accommodates long stemmed glasses	●	●
Accommodates plates up to	11 1/2"	11 1/2"
Wash programs		
Nine wash programs	●	●
Genuine half load wash option	●	●
Eco options	●	●
Permanent memory of the last cycle used	●	●
Safety		
Three stage total flood protection	●	●
Controls		
Wireless remote		●
Concealed control panels with single touch programming	●	●
Key lock	●	
Child lock	●	
Closed door auto-lock		●
End of cycle beeps	●	●
One button start	●	●
Energy saving delay start option up to 12 hours	●	●
Rinse aid indicator light and lens	●	●
Electronic fault/Diagnostic indicator	●	●
Power requirements		
Supply voltage	110-120V	110-120V
Supply frequency	60Hz	60Hz
AMP draw	10.6A	10.6A
Accessories		
Cutlery basket	2	2
Knife clip	2	2
Kickstrip	●	●
Warranty	1 year	1 year



Type of appliance	DishDrawer™ Double Dishwasher DD24DCX7	DishDrawer™ Double Dishwasher DD24DCB7	DishDrawer™ Double Dishwasher DD24DCW7
Model no.	DD24DCX7	DD24DCB7	DD24DCW7
Finish	EZKleen stainless steel curved door	Black curved door	White curved door
Dimensions (excluding handles)	H32 5/8" - 34 2 1/2" x W23 1 1/2" x D22 3 16"	H32 5/8" - 34 2 1/2" x W23 1 1/2" x D22 3 16"	H32 5/8" - 34 2 1/2" x W23 1 1/2" x D22 3 16"
Energy rating	ENERGY STAR rated CEE tier 1	ENERGY STAR rated CEE tier 1	ENERGY STAR rated CEE tier 1
Water usage	2 gallons per drawer	2 gallons per drawer	2 gallons per drawer
Performance			
SmartDrive™ technology	●	●	●
Load sensing	●	●	●
Flow through detergent dispenser	●	●	●
Quiet operation	●	●	●
Fan assisted drying	●	●	●
Capacity and loading			
Place settings per drawer	7	7	7
Flexible racking system	●	●	●
Fold down and pitch adjustable tines	●	●	●
Adjustable racks and cup racks	●	●	●
Accommodates long stemmed glasses	●	●	●
Accommodates plates up to	11 1/2"	11 1/2"	11 1/2"
Wash programs			
Nine wash programs	●	●	●
Genuine half load wash option	●	●	●
Eco options	●	●	●
Permanent memory of the last cycle used	●	●	●
Safety			
Three stage total flood protection	●	●	●
Controls			
Concealed control panels with single touch programming	●	●	●
Key lock	●	●	●
Child lock	●	●	●
Closed door auto-lock			
End of cycle beeps	●	●	●
One button start	●	●	●
Energy saving delay start option up to 12 hours	●	●	●
Rinse aid indicator light and lens	●	●	●
Electronic fault/Diagnostic indicator	●	●	●
Power requirements			
Supply voltage	110-120V	110-120V	110-120V
Supply frequency	60Hz	60Hz	60Hz
AMP draw	10.6A	10.6A	10.6A
Accessories			
Cutlery basket	2	2	2
Knife clip	2	2	2
Kickstrip	●	●	●
Warranty	1 year	1 year	1 year



Type of appliance	DishDrawer™ Single Dishwasher DD24SDFX7	DishDrawer™ Single Dishwasher DD24SI7
Model no.	DD24SDFX7	DD24SI7
Finish	EZKleen stainless steel flat door	Integrated (apply your own cabinetry façade)
Dimensions (excluding handles)	H16 5/8" x W23 1 1/2" x D22 1 16"	H16 5/8" x W23 1 1/2" x D22 1 16" - 22 3 16"
Energy rating	ENERGY STAR rated CEE tier 1	ENERGY STAR rated CEE tier 1
Water usage	2 gallons per cycle	2 gallons per cycle
Performance		
SmartDrive™ technology	●	●
Load sensing	●	●
Flow through detergent dispenser	●	●
Quiet operation	●	●
Fan assisted drying	●	●
Capacity and loading		
Place settings per drawer	7	7
Flexible racking system	●	●
Fold down and pitch adjustable tines	●	●
Adjustable racks and cup racks	●	●
Accommodates long stemmed glasses	●	●
Accommodates plates up to	11 1/2"	11 1/2"
Wash programs		
Nine wash programs	●	●
Eco options	●	●
Permanent memory of the last cycle used	●	●
Safety		
Three stage total flood protection	●	●
Controls		
Wireless remote		●
Concealed control panels with single touch programming	●	●
Key lock	●	
Child lock	●	
Closed door auto-lock		●
End of cycle beeps	●	●
One button start	●	●
Energy saving delay start option up to 12 hours	●	●
Rinse aid indicator light and lens	●	●
Electronic fault/Diagnostic indicator	●	●
Power requirements		
Supply voltage	110-120V	110-120V
Supply frequency	60Hz	60Hz
AMP draw	5.8A	5.8A
Accessories		
Cutlery basket	●	●
Knife clip	●	●
Warranty	1 year	1 year

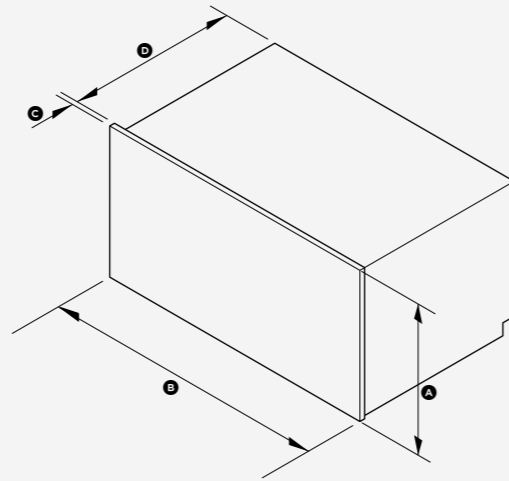


Type of appliance	DishDrawer™ Single Dishwasher DD24SCX7	DishDrawer™ Single Dishwasher DD24SCB7	DishDrawer™ Single Dishwasher DD24SCW7
Model no.	DD24SCX7	DD24SCB7	DD24SCW7
Finish	EZKleen stainless steel curved door	Black curved door	White curved door
Dimensions (excluding handles)	H16 5/2" x W23 1/2" x D22 3/16"	H16 5/2" x W23 1/2" x D22 3/16"	H16 5/2" x W23 1/2" x D22 3/16"
Energy rating	ENERGY STAR rated CEE tier 1	ENERGY STAR rated CEE tier 1	ENERGY STAR rated CEE tier 1
Water usage	2 gallons per cycle	2 gallons per cycle	2 gallons per cycle
Performance			
SmartDrive™ technology	●	●	●
Load sensing	●	●	●
Flow through detergent dispenser	●	●	●
Quiet operation	●	●	●
Fan assisted drying	●	●	●
Capacity and loading			
Place settings per drawer	7	7	7
Flexible racking system	●	●	●
Fold down and pitch adjustable tines	●	●	●
Adjustable racks and cup racks	●	●	●
Accommodates long stemmed glasses	●	●	●
Accommodates plates up to	11 1/2"	11 1/2"	11 1/2"
Wash programs			
Nine wash programs	●	●	●
Eco options	●	●	●
Permanent memory of the last cycle used	●	●	●
Safety			
Three stage total flood protection	●	●	●
Controls			
Concealed control panels with single touch programming	●	●	●
Key lock	●	●	●
Child lock	●	●	●
End of cycle beeps	●	●	●
One button start	●	●	●
Energy saving delay start option up to 12 hours	●	●	●
Rinse aid indicator light and lens	●	●	●
Electronic fault/Diagnostic indicator	●	●	●
Power requirements			
Supply voltage	110-120V	110-120V	110-120V
Supply frequency	60Hz	60Hz	60Hz
AMP draw	5.8A	5.8A	5.8A
Accessories			
Cutlery basket	●	●	●
Knife clip	●	●	●
Warranty	1 year	1 year	1 year

DishDrawer™ Wide Dishwasher

Model no:
DD36SDFTX2

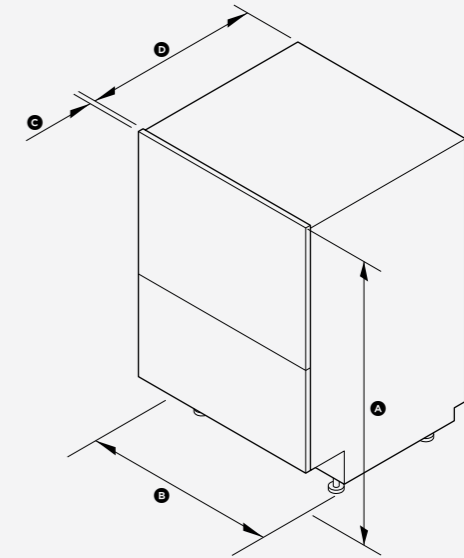
Dimensions	inches
Ⓐ Overall height of product	18 13/16"
Ⓑ Overall width of product	35 1/4"
Ⓒ Depth of product front (excl. handle)	23 1/2"
Ⓓ Depth of product chassis	21 25/32"



DishDrawer™ Tall Double Dishwasher

Model no:
DD24DDFTX7

Dimensions	inches
Ⓐ Overall height of product	min. 34 1/2" - max. 36 3/8"
Ⓑ Overall width of product	23 19/32"
Ⓒ Depth of product front (excl. handle)	23 1/2"
Ⓓ Depth of product chassis	21 25/32"

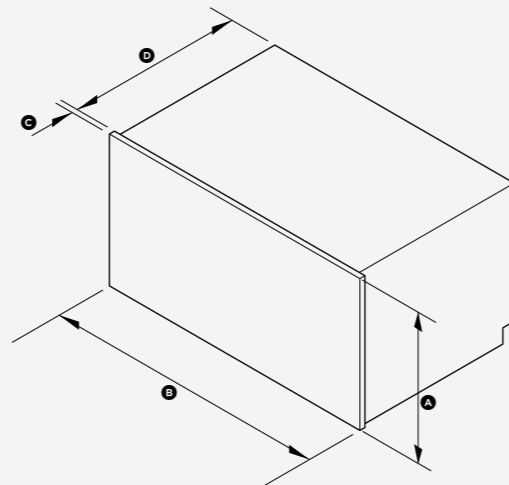


DishDrawer™ Wide Dishwasher

Model no:
DD36STI2

Dimensions	inches
Ⓐ Overall height of product	18 13/16"
Ⓑ Overall width of product	min. 33 21/32"
Ⓒ Depth of product front (excl. handle)	5/8 - 25/32"
Ⓓ Depth of product chassis	21 25/32"

*Door panel to be manufactured and fitted by cabinetmaker.

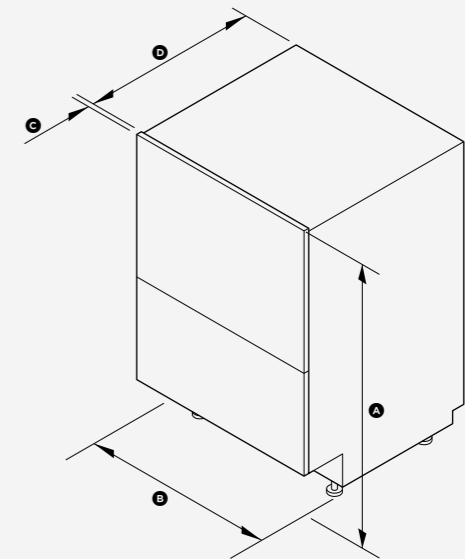


DishDrawer™ Tall Double Dishwasher

Model no:
DD24DTI7, DD24DHTI7

Dimensions	inches
Ⓐ Overall height of product	min. 34 1/2" - max. 36 3/8"
Ⓑ Overall width of product	23 19/32"
Ⓒ Depth of product front (excl. handle)	5/8 - 25/32"
Ⓓ Depth of product chassis	21 25/32"

*Door panels to be manufactured and fitted by cabinetmaker.

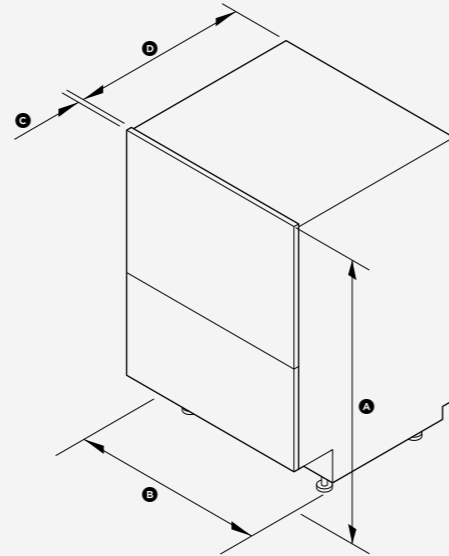


DishDrawer™ Tall Double Dishwasher

Model no:
DD24DCTX7, DD24DCTX7, DD24DCTB7, DD24DCTW7

Dimensions	inches
Ⓐ Overall height of product	min. 34 1/2" - max. 36 3/8"
Ⓑ Overall width of product	23 19/32"
Ⓒ Depth of product front (excl. handle)	2 5/2"*
Ⓓ Depth of product chassis	21 25/32"

*Product front varies along the curve to a depth of 1 1/2".

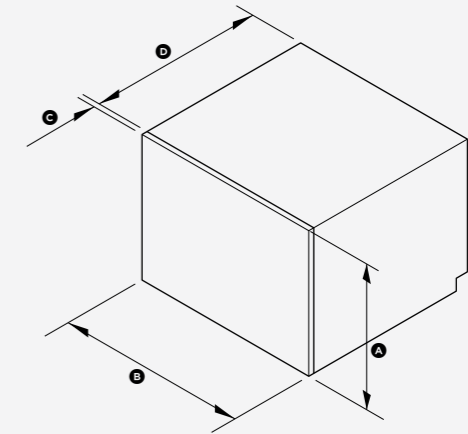


DishDrawer™ Tall Single Dishwasher

Model no:
DD24STI7, DD24SHTI7

Dimensions	inches
Ⓐ Overall height of product	17 7/8" - 18 3/16"*
Ⓑ Overall width of product	23 19/32"
Ⓒ Depth of product front (excl. handle)	5/8 - 25/32"*
Ⓓ Depth of product chassis	21 25/32"

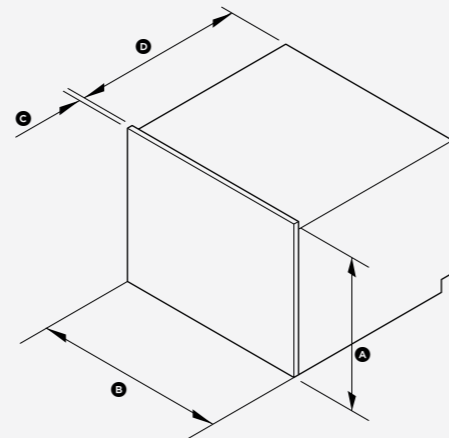
*Door panels to be manufactured and fitted by cabinetmaker.
 *You may choose to install Tall Height Integrated models into either a 17 7/8" or a 18 3/16" high cavity. Note: the minimum height of the custom drawer front panel will also be different for these options.



DishDrawer™ Tall Single Dishwasher

Model no:
DD24SDFTX7

Dimensions	inches
Ⓐ Overall height of product	18 3/16"
Ⓑ Overall width of product	23 19/32"
Ⓒ Depth of product front (excl. handle)	2 3/2"
Ⓓ Depth of product chassis	21 25/32"

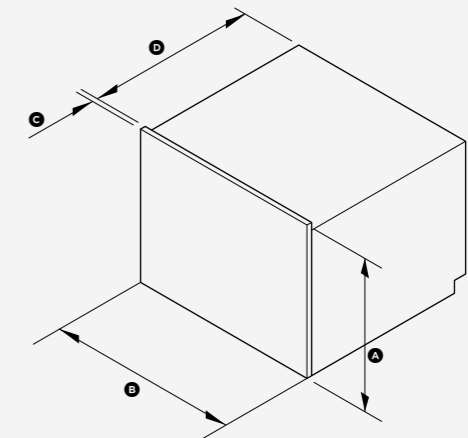


DishDrawer™ Tall Single Dishwasher

Model no:
DD24SCTX7, DD24SCHTX7, DD24SCTB7, DD24SCTW7

Dimensions	inches
Ⓐ Overall height of product	17 7/8"
Ⓑ Overall width of product	23 3/2"
Ⓒ Depth of product measured at edge of door	2 5/2"*
Ⓓ Depth of product chassis	21 25/32"

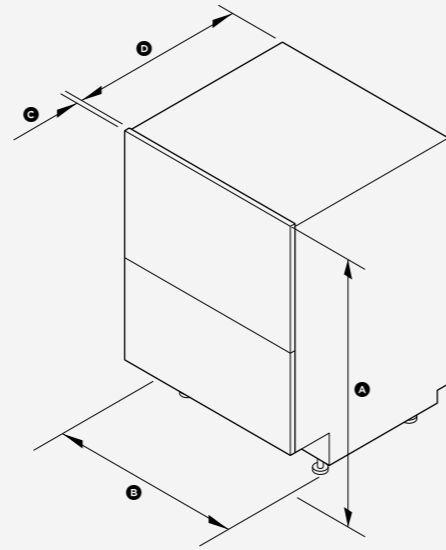
*Product varies along the curve to a depth of 1 1/2".
 *You may choose to install Tall Height Integrated models into either a 17 7/8" or a 18 3/16" high cavity. Note: the minimum height of the custom drawer front panel will also be different for these options.



DishDrawer™ Double Dishwasher

Model no:
DD24DDFX7

Dimensions	inches
Ⓐ Overall height of product	min. 32 1/2" - max. 34 2/32"
Ⓑ Overall width of product	23 1/2"
Ⓒ Depth of product front (excl. handle)	2 1/2"
Ⓓ Depth of product chassis	21 2/32"

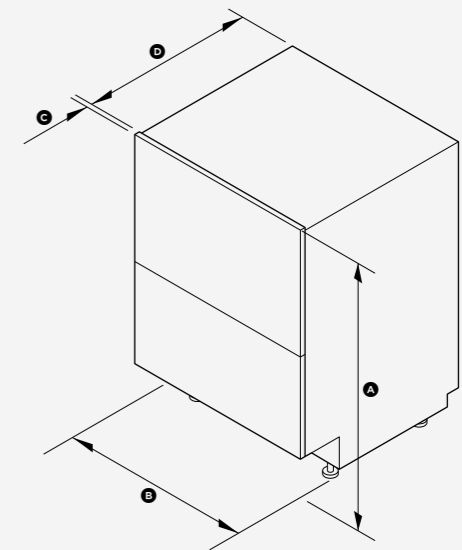


DishDrawer™ Double Dishwasher

Model no:
DD24DCX7, DD24DCB7, DD24DCW7

Dimensions	inches
Ⓐ Overall height of product	min. 32 1/2" - max. 34 2/32"
Ⓑ Overall width of product	23 1/2"
Ⓒ Depth of product front measured at edge of door	2 1/2"*
Ⓓ Depth of product chassis	21 2/32"

*Product front varies along the curve to a depth of 1 1/2".

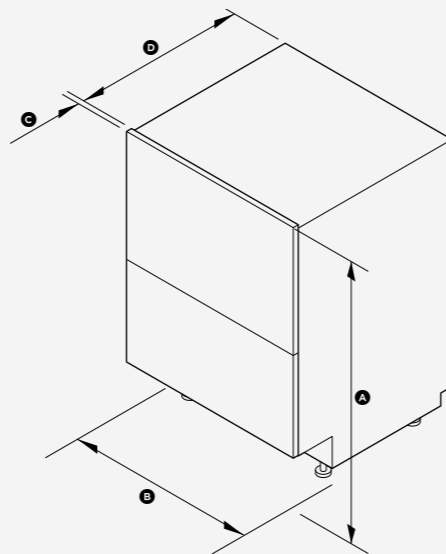


DishDrawer™ Double Dishwasher

Model no:
DD24DI7

Dimensions	inches
Ⓐ Overall height of product	min. 32 1/2" - max. 34 2/32"
Ⓑ Overall width of product	23 1/2"
Ⓒ Depth of product front (excl. handle)	5/8 - 2 1/2"*
Ⓓ Depth of product chassis	21 2/32"

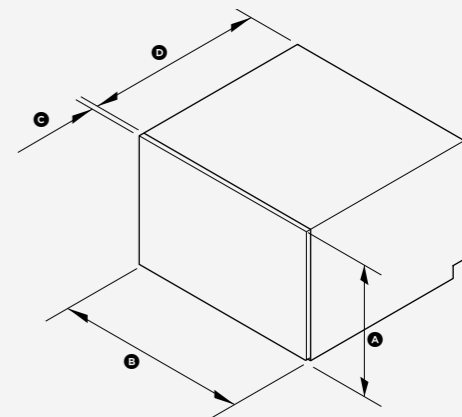
*Door panels to be manufactured and fitted by cabinetmaker.



DishDrawer™ Single Dishwasher

Model no:
DD24SDFX7

Dimensions	inches
Ⓐ Overall height of product	16 1/2"
Ⓑ Overall width of product	23 1/2"
Ⓒ Depth of product front (excl. handle)	2 1/2"
Ⓓ Depth of product chassis	21 2/32"

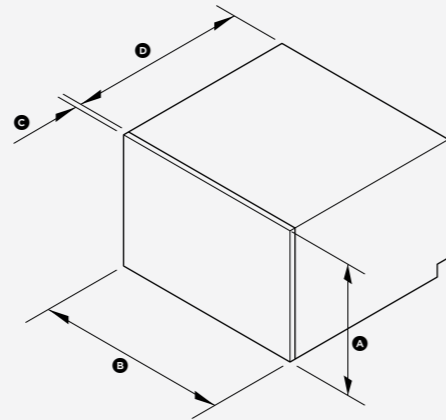


DishDrawer™ Single Dishwasher

Model no:
DD24SI7

Dimensions	inches
Ⓐ Overall height of product	16 5/16"
Ⓑ Overall width of product	23 19/32"
Ⓒ Depth of product front (excl. handle)	5/8 - 25/32"
Ⓓ Depth of product chassis	21 25/32"

*Door panels to be manufactured and fitted by cabinetmaker.

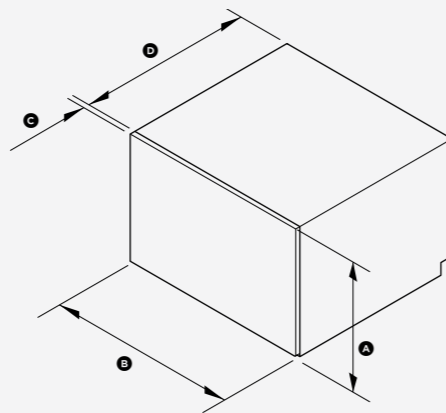


DishDrawer™ Single Dishwasher

Model no:
DD24SCX7, DD24SCB7, DD24SCW7

Dimensions	inches
Ⓐ Overall height of product	16 5/16"
Ⓑ Overall width of product	23 19/32"
Ⓒ Depth of product front measured at edge of door	2 5/16"
Ⓓ Depth of product chassis	21 25/32"

*Product front varies along the curve to a depth of 1 5/16".



FPBR0467 SEPTEMBER 2013.
Copyright © Fisher & Paykel 2013.
All Rights Reserved.

The product dimensions and specifications in this brochure apply to the specific products and models described at the date of issue. Under our policy of continuous product improvement, these dimensions and specifications may change at any time. You should therefore check with your dealer or Fisher & Paykel's Customer Care Center to ensure this brochure correctly describes the products currently available.

Important Notice of Disclaimer: Our brochure contains information on a wide subject of products which we manufacture and/or sell internationally. Some particular products, models or sizes which are detailed in this brochure may not be available for sale and purchase in your area or country, if available the product may have different options to those depicted in the brochure. Before agreeing to purchase a particular product by reference to this brochure please check its availability and accuracy of its description.

This brochure is printed on paper made from sustainable forests using elementary chlorine-free pulp and vegetable based ink. This brochure represents a green choice by Fisher & Paykel to participate in the growing movement towards social responsibility.

Fisher & Paykel Appliances, Inc
5900 Skylab Road
Huntington Beach
California 92647
USA

Fisher & Paykel Appliances Canada, Inc
4800 Eastgate Parkway
Unit 2, Mississauga
Ontario L4W 3W6
Canada