



ONVIF



## Main Features

- Ultra-low light Box Camera
- Full HD 1080P @30fps
- Micro SD card slot
- Support -20°C ~ 60°C/-4°F ~ 140°F
- Lens Optional

## Product Overview

NCb-221 is the first NexCam which particularly designed for the low light surveillance environment. It uses Sony 1/2" Exmor image sensor and focuses on the users who require the excellent performance under the low-light condition. The advantages of NCb-221 are the extremely high sensitivity, excellent image quality, beautiful color performance with low noises, hence, NCb-221 is the camera perfectly for city surveillance project.

### 1080P @30 fps

NCb-221 supports high-performance H.264/MJPEG compression technology and offers extra smooth video at up to 30fps in 1080p. Furthermore, Video ROI [Region Of Interest] function reduce bandwidth and storage requirement, providing users with the best option in bandwidth flexibility and storage efficiency.

### Digital WDR (DWDR)

Digital Wide Dynamic Range is a feature in NCb-221 IP cameras that incorporates techniques for handling a wide range of lighting conditions in a scene which with extremely bright and dark areas, a typical camera would produce an image where objects in the dark areas would hardly be visible. Digital Wide Dynamic Range solves this by applying techniques such as using different exposures for different objects in a scene to enable objects in both bright and dark areas to be visible.

### RICH I/O

NCb-221 Rich I/O allows the users to have the advantages when connecting essential external devices such as audio jack, micro SD cardslot, DC 12V & AC 24V in order to achieve the best performance for any critical environments. It also allows the users to use Digital Input and Digital output for the applications such as alarm system.

## Specifications

### Camera General Information

|                      |  |
|----------------------|--|
| Image Sensor         | Sony 1/2" Exmor image sensor   |
| Minimum Illumination | B/W 0.005 lux/Color 0.05 lux   |
| Lens                 | N/A  |
| Iris Type            | N/A  |
| Day and Night        | Yes (with ICR & Light sensor)  |
| IR Distance          | N/A  |
| IR Wavelength        | N/A  |
| IR Control           | N/A  |
| ICR                  | Yes  |
| WDR                  | YES(DWDR)  |
| Image Setting        | Brightness, Contrast, Saturation, Sharpness, Mirror, Flip, Day/Night, Anti-flicker,AWB |

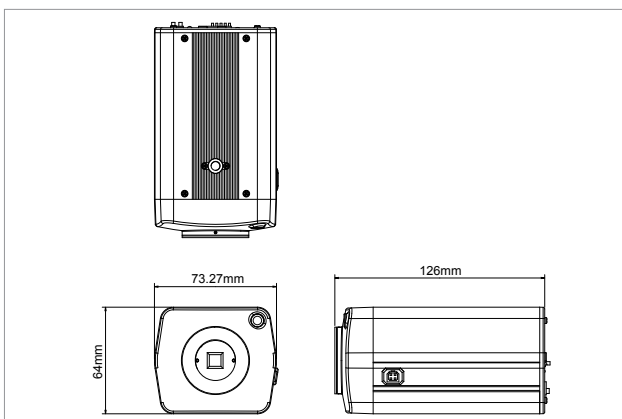
### Video

|                   |   |
|-------------------|---|
| Video Compression | H.264/M-JPEG  |
| Video Streaming   | Dual-streaming  |
| Video Resolution  | 1920 x 1080 to 320 x 240  |
| Video Quality     | VBR/CBR   |
| Frame Rate        | 1920x1080 @30 fps<br>1280x720 @30 fps<br>720x576 @30 fps<br>720x480 @30 fps<br>640x480 @30 fps<br>320x240 @30 fps |

### Audio

|                   |                  |
|-------------------|------------------|
| Audio Streaming   | Two-way          |
| Audio Compression | G.711 8KHz/16bit |
| Audio Input       | Line in          |
| Audio Output      | Line out         |

## Dimension Drawing



### Network

|                     |   |
|---------------------|---|
| Interface           | 10/100/1000 Mbps Ethernet, RJ-45  |
| Supported Protocols | HTTP, TCP/IP, UDP, RTP, RTSP, FTP, SMTP, DHCP, DNS, DDNS, NTP, uPnP, ONVIF, IPv4/v6 |
| Security            | Multi-level passwords/HTTP encryption   |

### I/O Connector

|                    |                     |
|--------------------|---------------------|
| Audio in/out Port  | 3.5 mm phone jackx2 |
| D I/O              | DIx1, DOx1          |
| RS485              | N/A                 |
| Micro SD Card Slot | YES                 |
| RJ45               | ES                  |

### Event Management

|                |   |
|----------------|---|
| Event trigger  | Motion detection, DI  |
| Notifications  | Trigger alarm output, email/FTP and record video to PC or SD card |
| Post Recording | YES   |
| Pre Recording  | YES   |

### Power

|       |                             |
|-------|-----------------------------|
| DC/AC | DC12V/AC 24V terminal block |
| POE   | IEEE 802.3af                |

### General

|                   |   |
|-------------------|---|
| Power Consumption | 10W max.                                  |
| Weight            | 470g                                      |
| Dimension         | 126mm (D) x 73.27mm (W) x 64mm (H)        |
| Operating Temp.   | -10°C ~ 60°C/14°F ~ 140°F                 |
| Humidity          | 90%RH (no condensation)                   |
| Certification     | CE/FCC                                    |
| Vandal Resistant  | N/A                                       |
| Weather Proof     | with housing                              |
| Application       | SDK available for application development |

### Packaging Information

|           |      |
|-----------|------|
| NWT       | 470g |
| GWT       | TBA  |
| Dimension | TBA  |

## Ordering Information

- ◆ NCB-221 (10HB0022100X0)