

# 10/100 Base-Tx 2x8 RJ45

ARJC05-280008

RoHS/RoHS II Compliant



115 x 25.2 x 28.2mm

## FEATURES:

- Compliant with IEEE802.3 standard
- 350uH minimum OCL with 8mA bias current
- High performance for maximum EMI suppression
- High reliability – 750 mating/unmating cycles

## APPLICATIONS:

- Designed for most leading PHY IC manufacturers such as Broadcom, Marvell, Microsemi
- Supports 10/100 Base-T applications
- Provides signal conditioning, EMI suppression and signal isolation

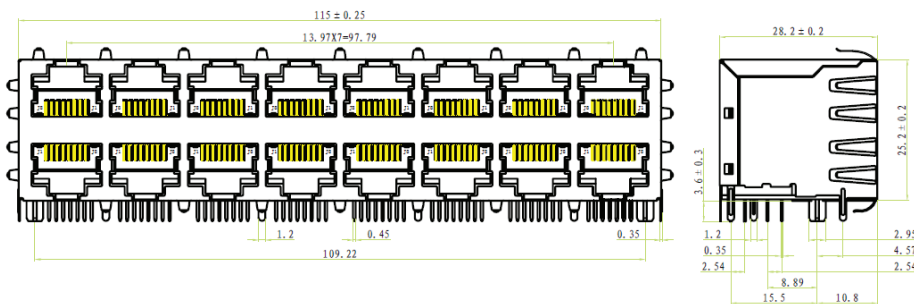
## STANDARD SPECIFICATIONS

Operating temperature range: 0°C to +70°C Storage temperature range: -25°C to +85°C

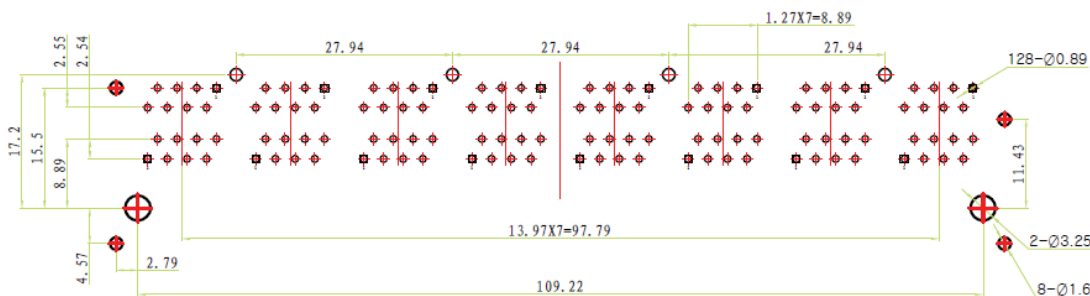
### Standard Electrical Specifications @25°C

Parameters	Minimum	Typical	Maximum	Units	Notes
Turn Ratio ( $\pm 3\%$ )	1CT:1CT				Tx and Rx
Inductance	350			uH	100kHz/0.1V@8mADC
Insertion Loss			-1.0	dB	1-100MHz
Return Loss	-18			dB	1-10MHz
	-16				10-30MHz
	-14				30-60MHz
	-12				60-80MHz
	-10				80-100MHz
CMR	-35			dB	1-100MHz
Crosstalk	-35			dB	1-100MHz
Hipot	1500Vrms/1mA/1s				

## MECHANICAL DIMENSIONS



Recommended Land Pattern



Dimensions: mm

ABRACON IS  
ISO 9001:2008  
CERTIFIED



**ABRACON**  
CORPORATION

Visit [www.abracon.com](http://www.abracon.com) for Terms & Conditions of Sale  
30332 Esperanza, Rancho Santa Margarita, California 92688  
tel 949-546-8000 | fax 949-546-8001 | [www.abracon.com](http://www.abracon.com)

Revised: 02.24.14

# 10/100 Base-Tx 2x8 RJ45

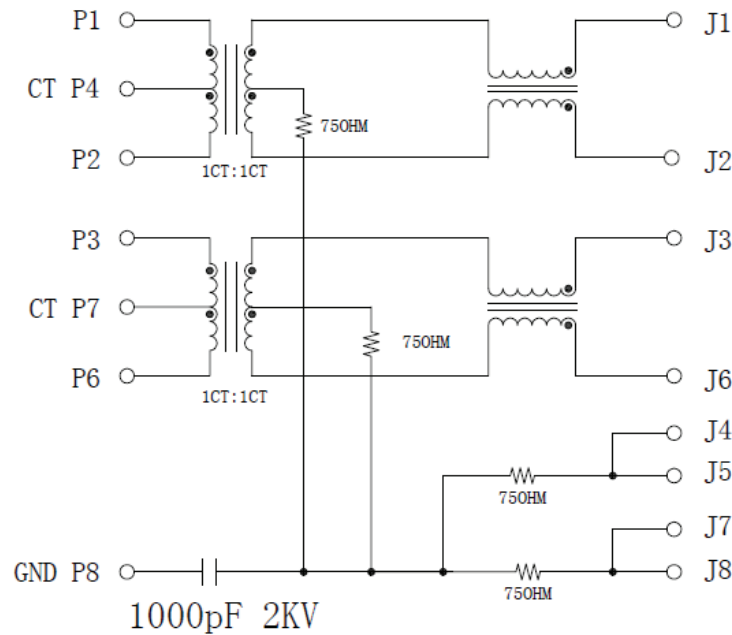
ARJC05-280008

RoHS/RoHS II Compliant



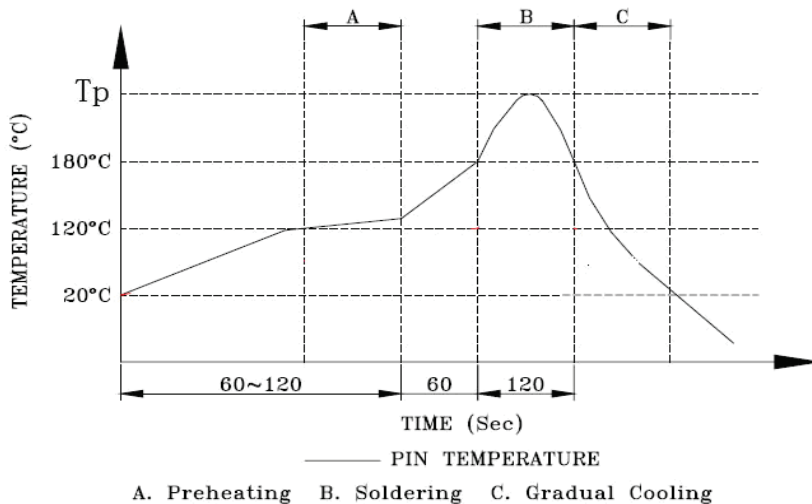
115 x 25.2 x 28.2mm

## SCHEMATICS



CAPACITOR: 1000pF  $\pm$  25% 2KV.  
RESISTANCE: 750HMS  $\pm$  20%.

## PROFILE OF WAVE SOLDERING



Peak temperature(Tp) : 250 $\pm$  10°C  
Peak temperature(Tp) time : 5sec max

Packing: 10pcs/tray

**ATTENTION:** Abracon Corporation's products are COTS – Commercial-Off-The-Shelf products; suitable for Commercial, Industrial and, where designated, Automotive Applications. Abracon's products are not specifically designed for Military, Aviation, Aerospace, Life-dependant Medical applications or any application requiring high reliability where component failure could result in loss of life and/or property. For applications requiring high reliability and/or presenting an extreme operating environment, written consent and authorization from Abracon Corporation is required. Please contact Abracon Corporation for more information.

ABRACON IS  
ISO 9001:2008  
CERTIFIED



Visit [www.abracon.com](http://www.abracon.com) for Terms & Conditions of Sale  
30332 Esperanza, Rancho Santa Margarita, California 92688  
tel 949-546-8000 | fax 949-546-8001 | [www.abracon.com](http://www.abracon.com)

Revised: 02.24.14