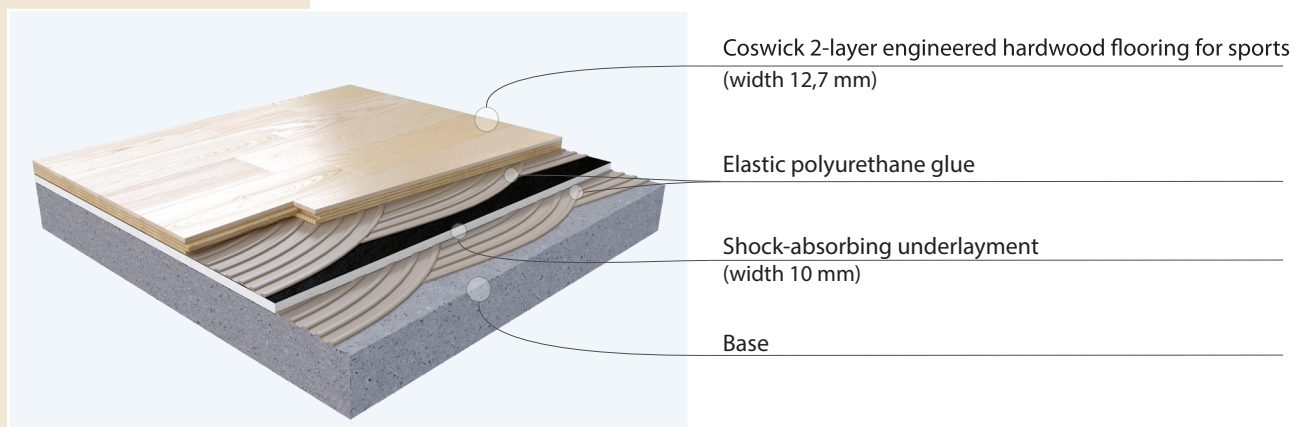


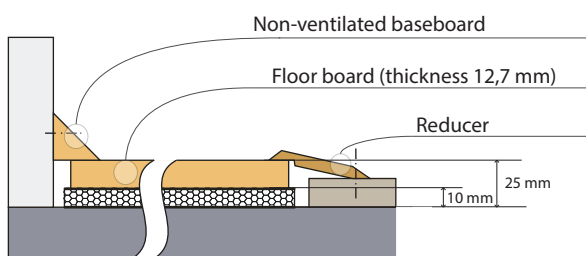
Fitness Board®

Sports flooring manufactured from natural hardwood, designed for interiors used for a wide range of fitness activities, including aerobics and yoga studios, dance and choreography halls, as well as indoor courts for hosting dance competitions, shows, presentations and other public events.

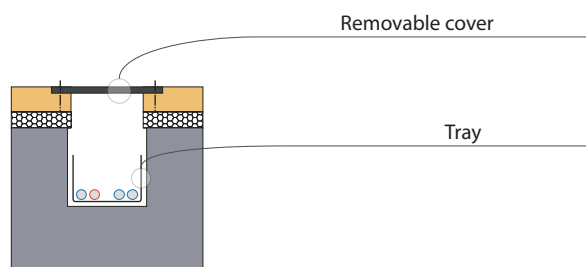


Intended Use	Recommended floor covering for most types of gyms, dance and choreography halls, yoga and fitness studios, as well as for interiors used for holding sports-dance competitions and other public events.
Technology	Two-layer engineered hardwood flooring boards, installed over custom shock-absorbing underlayment. Product has "deck"-style surface pattern.
Compliance	<p>Shock absorption, % 48 EN 14808 (A3 ≥40% < 55%)</p> <p>Vertical deformation, mm 2,1 EN 14809 (A3 ≥1,8 < 3,5)</p> <p>Friction, nominal unit 87 EN 13036-4 (80-110)</p> <p>Ball bounce, % 92 EN 12235 (≥90%)</p> <p>Rolling load, mm 0,3 EN 1569 (≤0,5 mm, min 1500 H)</p>
Top Layer	<p>Species Oak, ash</p> <p>Construction 2-layer engineered hardwood floor board</p> <p>Dimensions 12,7x107,95x300...1850 mm</p>
Construction of Subfloor	Shock-absorbing underlayment, installed over elastic glue
System Type	Permanent stationary system, glued down over subfloor
Warranties	Lifetime structural integrity warranty

Baseboard and Reducer



Serviceable Cable Channel



Breakout Box

