

Tablik™

Flexible Tablet Mount



Introducing Tablik™ – a tablet mounting solution that changes the way you interface with your tablet at work and in the home office. Tablik™ suspends your tablet above the desk where it can be easily positioned for comfortable viewing or typing.

HOW IT WORKS

Attach the Tablik™ disc to **any tablet or tablet case**. The disc uses a gel adhesive that holds strongly to your device, yet removes cleanly—leaving no residue.

The embedded magnet allows for an instant, one-handed attach and release.



One-handed positioning



Height adjustable



Flexible extension arm



Grab-and-go interface



Works with all tablets and tablet cases



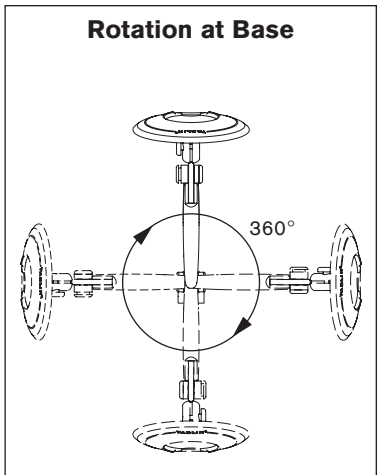
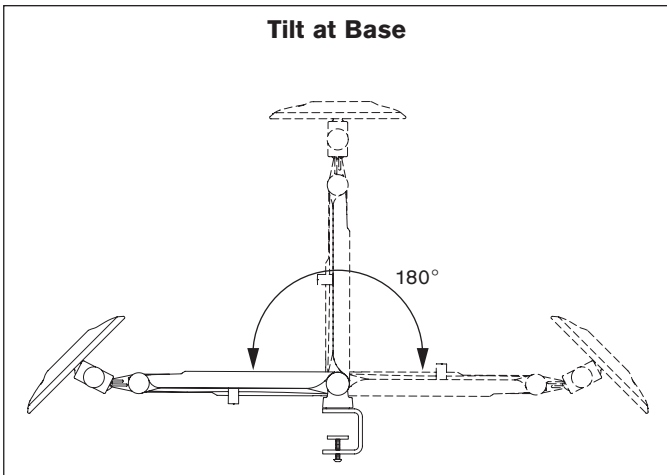
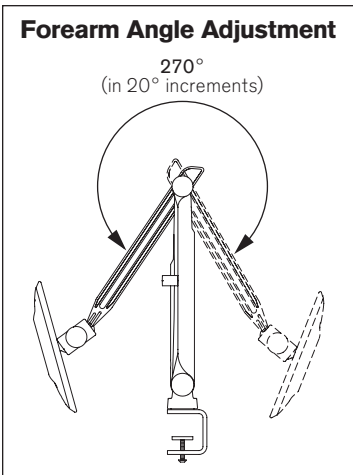
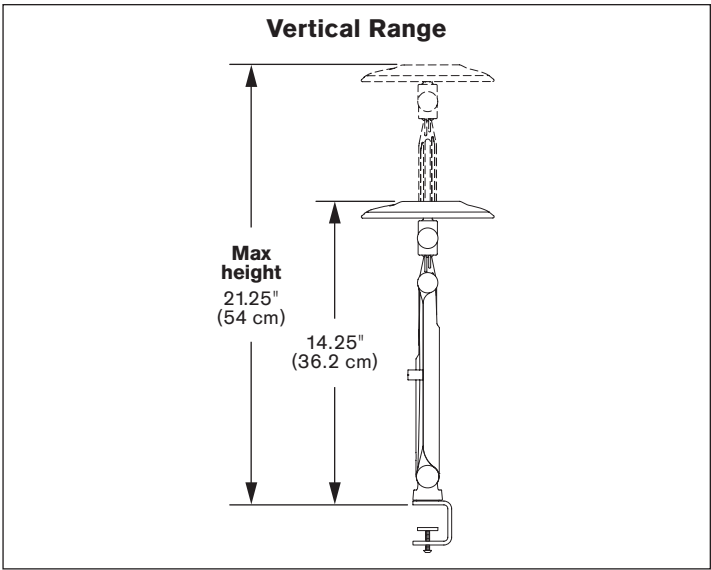
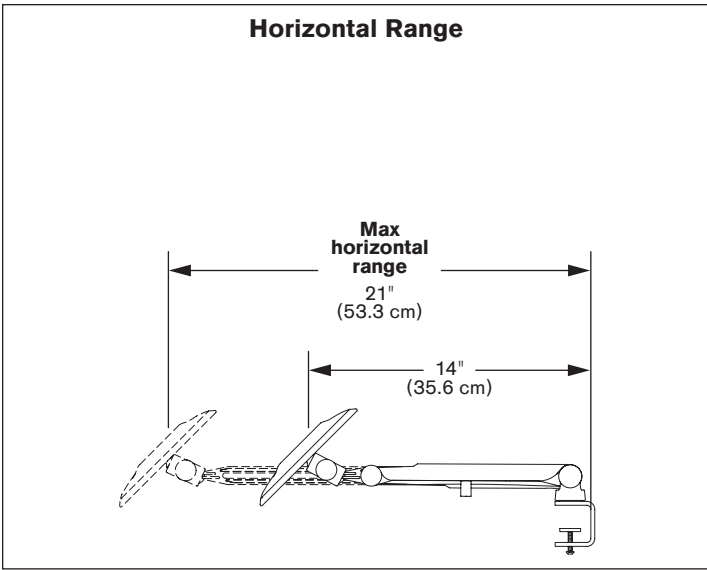
Clamps to desk edge



VESA mount option available for dual screen computing

Tablik™

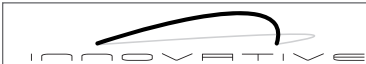
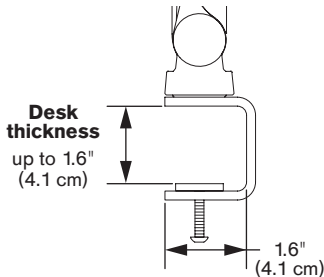
Specifications



TBLK-DC CAPABILITIES

Vertical range	21.25" (54 cm)
Horizontal range	21" (53.3 cm)
Arm rotation	360° at base, 270° at forearm axis
Tablet tilt & pan	45° in any direction from center
Tablet rotation	360°
Cable management	Cables clip beneath arm
Tablet compatibility	Supports tablets and tablet cases up to 3 lbs (1.4 kg)

MOUNT



Phone: 800.524.2744 | Fax: 610.253.9521 | E-mail: sales@LCDarms.com | Web: www.LCDarms.com

This product is protected by one or more of the following U.S. Patent Nos. and other United States and foreign patents applied for: 119,345, 119,346, 1,324,842, 2,470,525, 6,076,785, 6,273,383, 6,409,134, 6,478,274, 6,499,704, 6,505,988, 6,609,691, 6,19,606, 6,719,253, 6,726,167, 6,736,364, 6,783,105, 6,854,698, 6,915,994, 6,935,883, 6,955,328, 6,983,917, 6,986,489, 7,014,157, 7,017,874, 7,048,242, 7,059,574, 7,063,296, 7,066,433, 7,066,435, 7,389,965, 7,665,699, D435,852, D491,952, D492,893, D670,853, D675,293.