



The Ultra 182 is an innovative solution that addresses health issues caused by sedentary computer use.

## Ultra 182 Sit-Stand Workstation

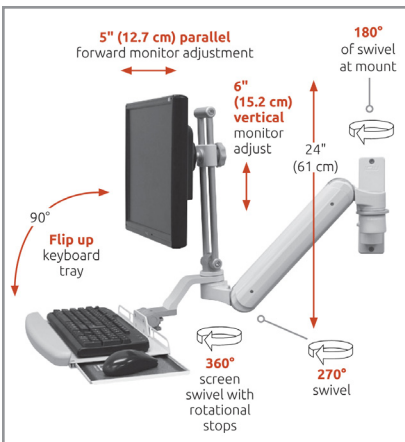
Addressing the health concerns about sedentary computer use, ICWUSA created the Ultra 182 computer workstation with full sit-stand functionality, correct ergonomics, and compact size and stowage.

### CHALLENGE

An unprecedented 84% of U.S. households own a computer<sup>1</sup> and millions of people use computers in the workplace. Sedentary computer use is widespread, resulting in health concerns including “sitting disease.” Additionally, poor posture at the computer and repetitive motions can cause musculoskeletal disorders.

- **Sedentary behavior can shorten life expectancy** and is associated with an increased risk for certain diseases.<sup>2</sup>
- **Work-related musculoskeletal disorders** are a leading cause of lost workday injury and illness.<sup>3</sup>

Innovative computer mounting solutions are able to address the health issues caused by sedentary computer use. Adjustable height desks are one option that provides vertical adjustability for sitting and standing use. However, they require a significant amount of space and many do not permit the keyboard to be tilted for best ergonomics. ICW embraced the challenge of designing and manufacturing a computer mounting solution that would provide full sit-stand functionality, adjust for proper ergonomics and require only a very small footprint.



### ICW's SOLUTION: The Ultra 182

Recognizing the need for a streamlined sit-stand workstation with correct ergonomics, ICW designed, engineered and manufactured the New Ultra 182 computer mounting solution. The patent-pending Ultra 182 provides full sit-stand functionality with smooth movement. The mounting arm provides maximum rotation, tilt and height adjustment of all components, is easily adjustable for proper ergonomics and stows in a small footprint.

***View Range of Motion video [HERE](#).***

*Continued*



**Sit-stand workstations are able to enhance employee health, reduce fatigue and eliminate “sitting disease.”**

- The Ultra 182 Workstation adjusts 24” (61 cm) vertically, allowing users of different heights to work in comfort.
- This mounting arm offers an all-in-one solution for actions that require standing and those that require sitting.
- The arm rotates 180° horizontally on the wall mounted style, 360° on the desk and pole mounts for maximum flexibility in computer positioning.
- With 45” (114 cm) reach, the new Ultra 182 arm can be extended well into the room and is an excellent mounting solution for many situations.

**Monitors that rotate, tilt and swivel can reduce screen glare, make viewing easier and reduce neck, back and eye strain.**

- The Ultra 182’s monitor is mounted to ICW’s ball VESA which provides 6-way movement. Monitors rotate from landscape to portrait position.
- The Ultra 182’s monitor rotates 360° independently from the mounting arm.
- The monitor adjusts 6” (15.2 cm) vertically on sliding rails, and 5” (12.7 cm) forward and back, adapting easily to the user’s preferences.

**Keyboards that adjust easily for ergonomic comfort are able to relieve hand and arm strain.**

- The keyboard quickly adjusts to positive, negative and neutral tilt for ergonomic comfort.

- The keyboard locks into the preferred tilt angle and returns to that position when used again after stowing.
- The Ultra 182’s keyboard swivels 360° independently from the mounting arm and the monitor.

**Mounting solutions that have a small footprint and stow away compactly can free up desks and countertops and make the best use of available space.**

- The Ultra 182 wall mount requires only a 3” (7.6 cm) wide wall area. Desk and pole mount styles require 2.5” (6.4 cm) of mounting space.
- Stowing 10” (25.4 cm) from the wall, the Ultra 182 an outstanding choice for space-constrained environments.

**Well designed and carefully manufactured mounting arms are a smart investment.**

- The Ultra 182’s solid construction supports up to 32 lbs (14.5 kg).
- Strong yet lightweight billet aluminum delivers unmatched 24x7 performance.
- Heavy-duty internal and external components provide years of uninterrupted service.
- Rotational stops protect computer equipment and the facility from damage.
- Internal cable management protects wires, simplifies cleaning and creates a neater appearance.
- Made in America and built-by-hand production ensures unsurpassed quality, workmanship and dependability.
- Durable, powder-coated finishes resist the wear and tear of heavy use.
- Custom mounts for specialized situations are readily available.

***Download product details [HERE](#).***

Citations:

1. “Computer and Internet Use in the United States: 2013,” United States Census Bureau.
2. National Health and Nutrition Examination Survey 2014, Centers for Disease Control and Prevention.
3. “Prevention of Musculoskeletal Disorders in the Workplace,” Safety and Health Topics, Occupational Safety & Health Administration, United States Department of Labor.



 **MADE IN USA**  
Smart Mounts. Ergonomic Comfort. Solid Support.

When you have a complex mounting challenge for computers, monitors and devices, ICW can provide a solution. Our products are modular and easily customizable. To learn more contact one of ICW’s knowledgeable Customer Service representatives at 1-800-558-4435 or visit [www.icwusa.com](http://www.icwusa.com).

# Ultra 182 Arm

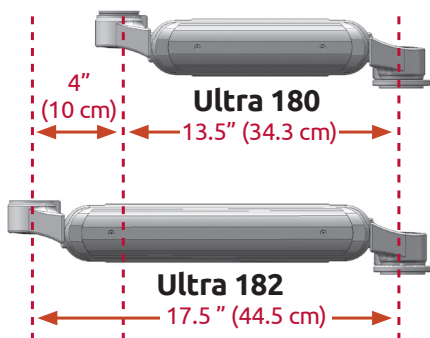
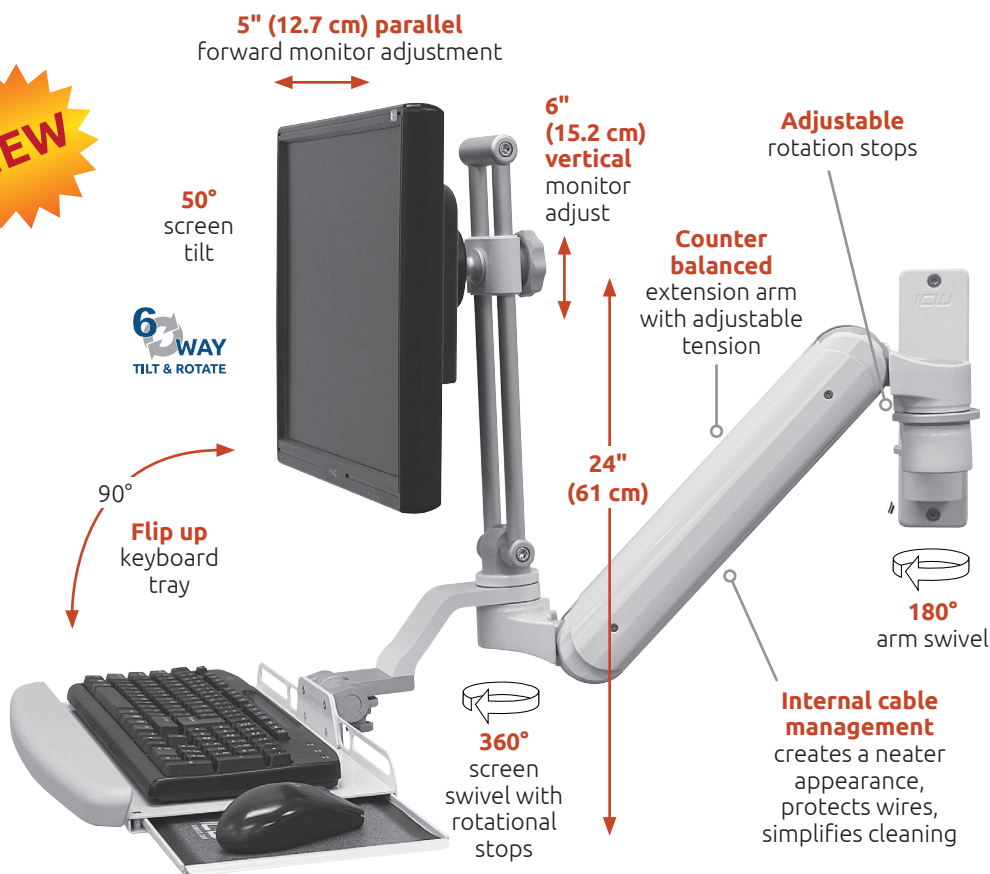
PRODUCT SHEET

UL182EV7-WT-KUB

The Ultra 180 has a new big brother:

The Ultra 182 adjusts 24" (61 cm) and 180 degrees vertically

Mounts on desk, pole, wall and wall tracks



## The patent-pending Ultra 182 is a true sit-stand workstation

- Provides 180° of smooth vertical and horizontal arm rotation
- Solid construction supports up to 32 lbs (14.5 kg).
- Stows close to the wall making it the perfect choice for tight spaces.
- Cable channeling through the arm assembly for neater appearance and easier cleaning.
- Like other members of our Ultra line of products, the Ultra 182 Arm is modular and customizable.
- Powder coated for durability in your choice of five color options.

Monitor, keyboard and mouse not included.

VERTICAL ADJUST	SCREEN TILT	ARM SWIVEL	SCREEN SWIVEL
24" (61 cm)	50°	180°	360°

- Load capacity: 32 lbs (14.5 kg)
- Vert. adjust range: 24" (61 cm)
- Maximum reach: 21" (53.3 cm) LCD only  
35" (89 cm) LCD and Flip Up Tray  
45" (114 cm) LCD, Flip Up Tray, A1 arm
- Stowed depth: 10" (25.4 cm)
- Vertical rotation: 180°
- Horizontal rotation: 180°
- Screen swivel: 360°
- Screen tilt: 50°
- VESA interface: 75 mm and 100 mm

Need a custom solution?  
Contact your ICW Rep for more information.

Range of Motion Video



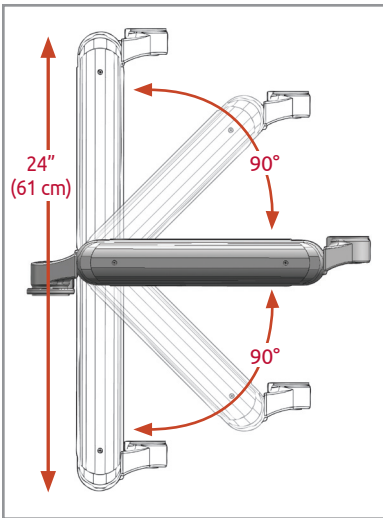
### Select a color

Specify one of our durable powder coating finishes with your order:

Gloss White (MW), Writable Black (WB), A-dec Tan (T), Pelton Putty (P), and Quartz Gray (QG)

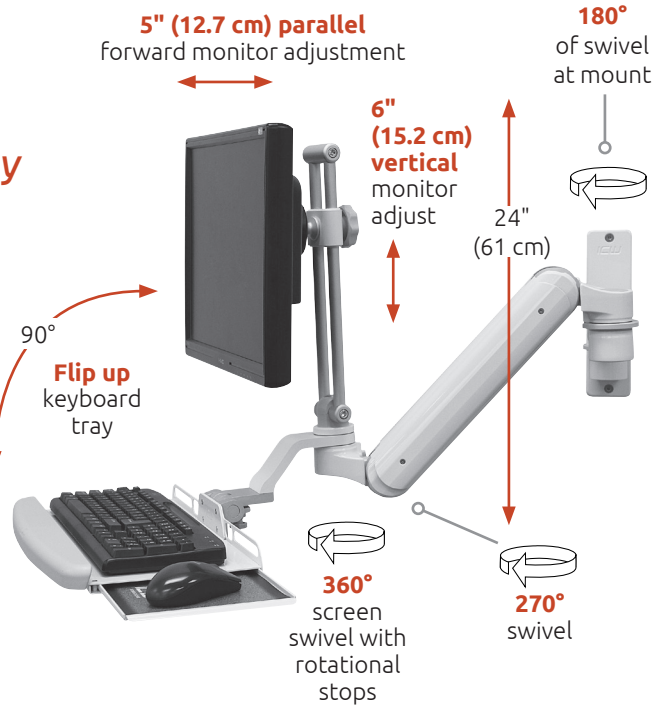


# Range of Motion and Dimension Drawings

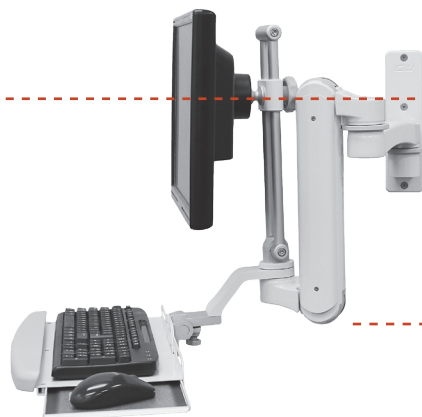


*True sit-stand workstation stows compactly*

*180° of vertical and horizontal rotation*



STANDING POSITION



SITTING POSITION

24" (61 CM)  
VERTICAL ADJUSTMENT  
UP AND DOWN



STOWED  
10" (25.4 cm)  
from wall



ICWUSA.com, Inc.  
1487 Kingsley Drive  
Medford, OR 97504  
800-558-4435