



Compatibility

- Windows 7 & 8
- Mac OS X
- Adobe Connect
- BlueJeans
- Cisco Jabber
- Cisco WebEx
- Easy Meeting
- Facetime
- Fuzebox
- Google Hangout
- GoToMeeting
- Lifesize
- Microsoft Lync
- Polycom RealPresence
- Radavision
- Spontania
- Skype
- TurboMeeting.US
- Vidyo
- Vsee
- Zoom.US

Features

- 20X Optical Zoom
- USB 3.0
- RS-232 & RS-485
- 1920 x 1080
- 55.2° Field of View
- Up to 60fps
- 128 Presets
- IR Remote
- Wireless Receiver

The HuddleCam Air is ideal for medium to large sized meeting rooms providing a clean & easy installation.



Specifications

Camera & Lens

Video CMOS Sensor	1/2.7" CMOS 2.07 Mega Pixel Sensor
Video Signal	1080p 30/25 1080i 60/50 720p 60/50
Lens Zoom	20X Optical Zoom, 16X Digital
Olympus Lens	f=3.5 ~ 42.3mm, f=1.8 ~ 2.8mm
Field of View	3.2° ~ 55.2° (Horizontal) 2.4° ~ 42.1° (Vertical)
Scanning mode	Progressive
Shutter Speed	1/25s ~ 1/10,000s
Min Illumination	0.5 Lux at F1.8 (AGC On)
White Balance	Auto, Indoor, Outdoor, One-Push, Manual
Backlight	Backlight compensation supported
Digital Noise	2D & 3D Digital Noise Reduction
Video S/N	≥55dB
Number of Presets	128
Preset Accuracy	0.1°

Wireless Transmission Specifications

Range	80 feet open space (Clear line of sight)
Wireless Frequencies	5.15-5.25, 5.25-5.35, 5.47-5.72, 5.72-5.8 (GHz)
Frequency Stability	± 10 PPM
Bandwidth	20 / 40 MHz
Receiving Sensitivity	≤ - 75 dBm
Transmission Power	13 ± 2dBm
Antenna(s)	Internal

Camera Interface & Dimensions

Network Interface	1X RJ45: 10M/100M Ethernet Port
Communication In/Out	1X RS-232 IN: 8pin Min-DIN, Max 30m 1X RS-485: 2pin port, Max 1500m
Control Protocols	VISCA/Pelco-D/Pelco-P
Power Supply Interface	JEITA type (DC IN 12V)
Camera Size	9.4" x 5.5" x 6.2"
Camera Weight	5.5 lbs



Specifications Continued



Front



Back



Wireless Receiver

Specifications Continued

Wireless Receiver Specifications

Range	80 feet open space (Clear line of sight)
Wireless Frequencies	5.15-5.25, 5.25-5.35, 5.47-5.72, 5.72-5.8 (GHz)
Input Voltage	5V DC
Current Consumption	2.0A (Max)
Operating Temp	23°F ~ 104°F
Storage Temp	-4°F ~ 140°F
Power Consumption	10W
Dimensions	3.00" x 10.00" x 1.25"
Weight	0.66 lbs

Pan/Tilt Movement

Pan Movement	±170°
Tilt Rotation	- 30°, -90°
Presets	128 Presets

Electrical Index

Power Supply Adapter	12V DC 2A
Input Voltage	12V DC (10.5-14V DC)
Input Power	17W (Max)

What's in the Box

- 20X Zoom Wireless Camera
- 12V DC 2.0A Power Adapter
- Wireless Receiver & Power Supply (5V DC 2A)
- USB 3.0 A-B Cable (6ft)
- IR Remote Control
- User Manual (Downloadable)

Receiver Input/Output Interface

Interface	USB 3.0, USB 2.0*
	*limited frame rates & resolution
Connector	USB 3.0 B-Type Connector
Power Connector	5.5mm (DC IN 5V)



This wouldn't be a future proof camera w/o network control!



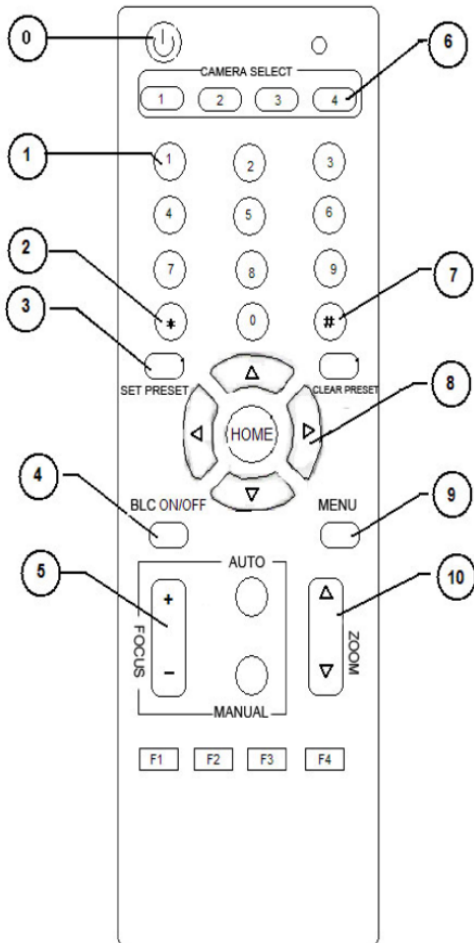
Capable of 1920x1080p
Up to 80' from Camera/Receiver





1. **Lens**
20x Optical Zoom.
2. **Camera Base**
3. **Tripod Screw Hole**
Will accept 1/4-20 bolt from 3rd party tripod, wall or ceiling mount.
4. **IR Receiver**
To receive IR remote controller signal.
5. **Wireless Receiver**
Provides USB 3.0 connectivity.
6. **USB 3.0 Port**
USB 3.0 port for connection to computer.
7. **System Select**
For selecting output resolution.
8. **VISCA Port**
For hard wired remote control from a 3rd party PC, joystick, etc...
9. **Ethernet Port**
For Remote PTZ Camera Control & IP Streaming capabilities.
10. **Camera Power**
Only use the Power Adapter supplied with this camera.
11. **On/Off Switch**
Turns camera on and off.
12. **Receiver Power**
Supplies power to wireless receiver. Only use supplied power supply.

Remote Control



0. **Standby key**
After pressing the standby key, the camera will go into standby mode. Press again, the camera will turn on. (Note: Standby mode power consumption is about half of normal mode consumption)
1. **Number keys**
For setting or recalling presets.
2. *** key**
For key combination use.
3. **Set preset key:**
Set preset key + 0-9 number key.
Clear preset key.
Clear preset key + 0-9 number key or .#+#+#. clear all the presets.
4. **BLC control key**
BLC ON: Turn on Back Light Compensation (only works when exposure mode setting is Auto)
BLC OFF: Turn off Back Light Compensation (Only available in the exposure mode effective for Auto).
5. **Focus control**
Focus+: focus farther away
Focus-: focus nearer
Auto focus: automatically focus on item in center of frame
Manual focus: To use Focus + and -
6. **Camera address selection:**
Select the camera which you want to be controlled. For multiple camera control using same IR remote.
7. **# key**
For key combination use.
8. **Pan/Tilt Controller**
 - ↑ Move Up
 - ↓ Move Down
 - ← Move Left
 - Move Right
 (HOME) key: Return to the middle position.
9. **Menu setting**
Open or close the OSD menu
10. **Zoom Control**
 - ↓ Zoom Out
 - ↑ Zoom In
11. **Camera IR remote control address selection**
 Camera Address No.1 : (*)+(#+)(F1)
 Camera Address No.2 : (*)+(#+)(F2)
 Camera Address No.3 : (*)+(#+)(F3)
 Camera Address No.4 : (*)+(#+)(F4)

Still have questions?
Give us a call.

