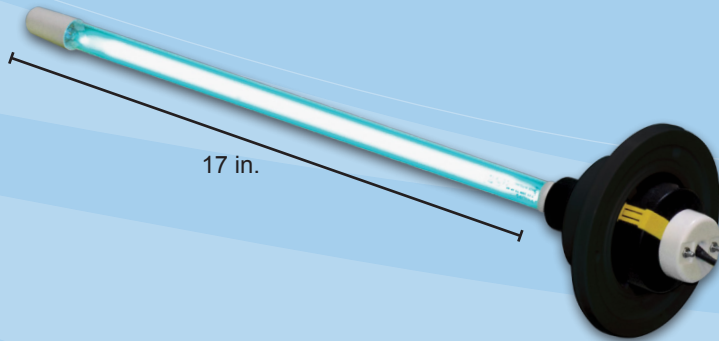


ComfortBreeze® UV360-1 System

High Efficiency, High Output UV-C Lamp



PRODUCT DATA SHEET



Overview

Indoor air quality (IAQ) continues to be a growing health concern. Mold, bacteria, pet dander, and mites are all linked to a host of health problems including eye irritation, headaches, allergies, and respiratory problems. The U.S. Environmental Protection Agency (EPA) says these pollutants are often two to five times higher indoors than outdoors!

Air conditioning (A/C) systems are a reservoir for mold, bacteria, and slime that can circulate throughout any dwelling. According to the American Academy of Asthma and Immunology, more than 1 out of 4 Americans suffer from these pollutants. The ComfortBreeze UV360-1 provides a powerful ultra-violet defense against these harmful airborne particulates.

Features

UV-C has been disinfecting surfaces, air, and water in hospitals, pharmaceuticals, and many U.S. Military and NASA applications for over a century. Hospital studies even show that it substantially decreases infection, reduces infant death, and protects healthcare workers.

Now you can have this same technology at home or work. The UV360-1 employs a high efficiency, high-output UV-C lamp that can last for up to two years. Once installed, it enables noticeably cleaner air by attacking mold, reducing allergens, and eliminating A/C odor.

UV is an important part of a complete IAQ solution that includes filtration, humidification, and dehumidification.

Get it from the ComfortBreeze® brand you know and trust.

Product Benefits

- Enables noticeably cleaner air by attacking mold, reducing allergens, and eliminating A/C odor
- Combats dangerous bio build-up occurring inside the air handler and coils
- Lowers A/C cost by removing bio-film on the coils, making them more efficient

Operational Benefits

- Reduces A/C run time - and thus energy use - while improving comfort and health
- Delivers disinfected air for pennies a day
- Safe 24V low-voltage system
- Convenient, reliable, and affordable
- Fast and easy to install and service

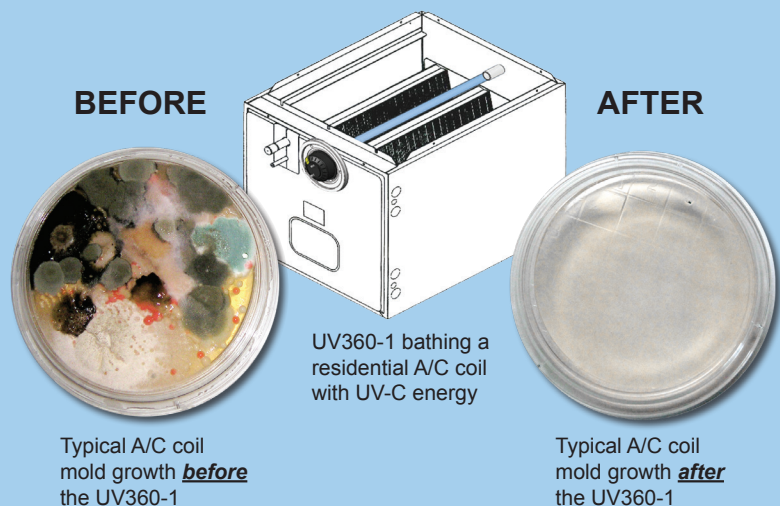
Includes

- Replaceable, high-output 17" UV-C lamp
- Affixable mounting hole template and hole saw
- 120V to 24V plug adapter

Warranty

1-Year Warranty

Before and After

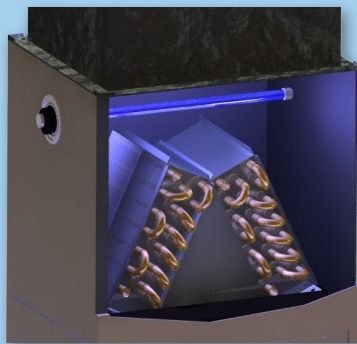


PRODUCT DATA SHEET

Installation Options

The ComfortBreeze® UV360-1 24V UV-C fixture can be placed in several locations in the A/C system. See Figures 1-5 at right for typical installation locations.

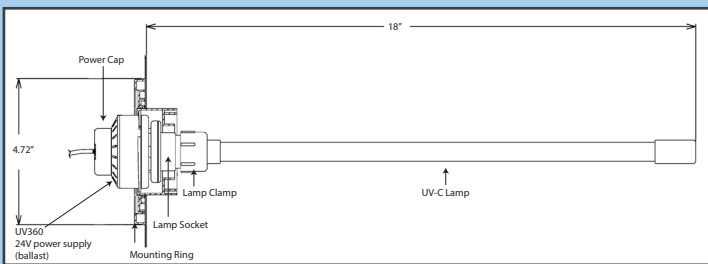
- A = Best installation location
- B = Better installation location
- C = Good installation location



Typical Upflow Coil

ComfortBreeze UV360-1 Specifications

| Model | UV360-1 |
|------------------------|------------------|
| UV-C Light Kit | 167315-001 |
| UV Bulb, 17" Phillips | 167315-102 |
| Bulb Style | T5 4-Pin |
| Type of Unit | UV-C Air Cleaner |
| Voltage (Amps) & Power | 24V @ 20 Watts |
| Shipping Weight | 4.5 lbs |



Typical Horizontal A-Coil: Right Airflow (Figures 1 and 2)

Figure 1

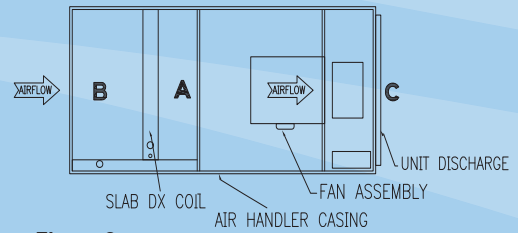
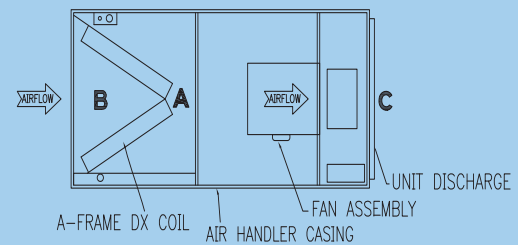


Figure 2



Typical Horizontal Slab Coil (Figures 3 and 4)

Figure 3

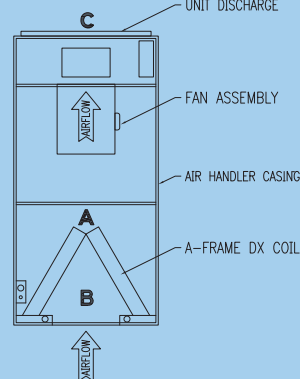
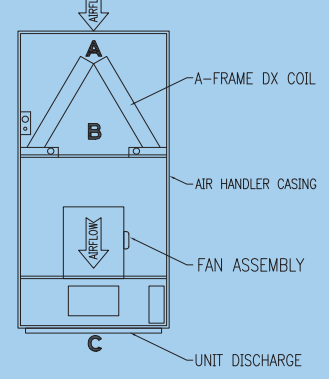
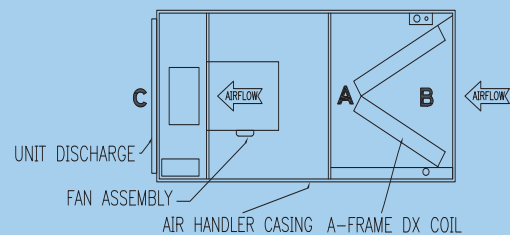


Figure 4



Typical Horizontal A-Coil: Left Airflow (Figure 5)

Figure 5



Indoor Air Quality Since 1947.

ISO 9001:2008 Certified.

Industry Memberships:



To help serve you better,
please contact us at:

800-884-0002 (tel)

800-458-2379 (fax)

Trion®

101 McNeill Road
Sanford, NC 27330

www.trioniaq.com

customerservice@trioniaq.com

Trion® is a registered trademark of Air System Components, Inc. All product specifications reflect available information at the printing of this brochure. Trion® reserves the right to revise or modify products and/or specifications without notice. ©2015 Trion®.