

AGA Professional

30" Gas Range with RapidBake Convection™

APRO30AGSS



Oven Features

- Extra Large 4.2 cubic ft. capacity oven
- RapidBake Convection™ speeds 350°F pre-heat time in 10 minutes
- Easy Clean™ Technology with black vitreous enamel interior
- Cool Flow™ Range Top Technology integrated automatic cooling system clears hot air making range surface cooler to touch
- Powerful infrared convection oven Broiler with Porcelain enameled broiler pan with grid
- Oven includes 3 oven racks with 5 rack positions
- Two long-lasting halogen bulbs for optimal illumination while cooking



Cooktop Features

- True Dual Flame™ double ring brass burners eliminate center cold spots and provide the most even heating
- Heavy duty die-cast commercial grade metal control knobs
- Continuous, easy-to-clean matte finish cast iron grates



Cooktop Specifications

- 2 - 15,000/700 Btu
- 2 - 12,000/2,800 Btu



AGA Kitchen Concierge
800-525-5601

#AGAProPower

www.aga-ranges.com

AGA Professional

30" Gas Range with RapidBake Convection™

APRO30AGSS



Technical Details

Circuit Breaker (A)	15A
Volts (V)	120v
Frequency (Hz)	60 Hz
Plug Type	120V 3-prong
Power Cord Length	5 ft.
Energy Source	Gas
Gas Type	Natural Gas
Alternative Gas Type	Liquid Propane LP Conversion Kit Included

Dimensions & Weights

Overall Dimensions	30"W x 27 1/2"D x 36"H (39 3/4"H to top of back splash)
Weight	266 lbs.
Shipping Weight	348.5 lbs.

General Properties

Oven Capacity	4.2 cu. ft.
Cooking Modes – Main Cavity	Bake, Convection Bake, Broil
Cooking Modes – Second Cavity	N/A
Lighting	2 Long-lasting Halogen Bulbs
Cleaning Type	EasyClean™ Vitreous Enamel
Grate Type	Continuous Cast Iron
Controls	Die Cast Metal Knobs
Sealed Burners	Yes

Oven Performance

Convection Bake Power	22,000 BTU (NG)
Bake Power	14,000 BTU (NG)
Broiler Power	16,500 B TU (NG)
Broiler Type	Infrared

Cooktop Performance

Number of Burners	4
Power of Front Left Burner BTU	15,000 Btu High 700 Btu Low
Power of Back Left Burner BTU	12,000 Btu High 2,800 Btu Low
Power of Front Center Burner BTU	N/A
Power of Back Center Burner BTU	N/A
Power of Front Right Burner BTU	15,000 Btu High 700 Btu Low
Power of Back Right Burner BTU	12,000 Btu High 2,800 Btu Low

Accessories Included

- 1 - Porcelain enameled broiler pan with grid
- 1 - Pan insert
- 3 - Over racks
- LP Conversion Kit

Warranty

2 Years Warranty, Entire Appliance, Parts and Labor



AGA Kitchen Concierge
800-525-5601

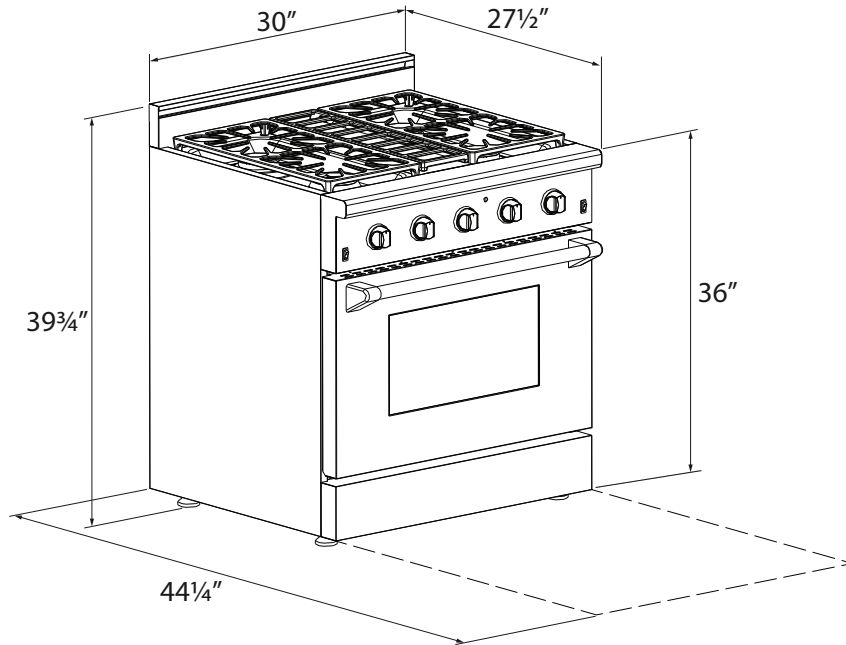
#AGAProPower

www.aga-ranges.com

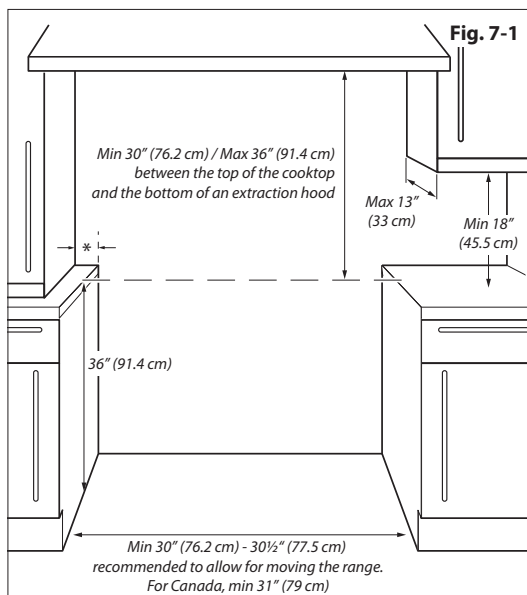
AGA Professional

30" Gas Range with RapidBake Convection™

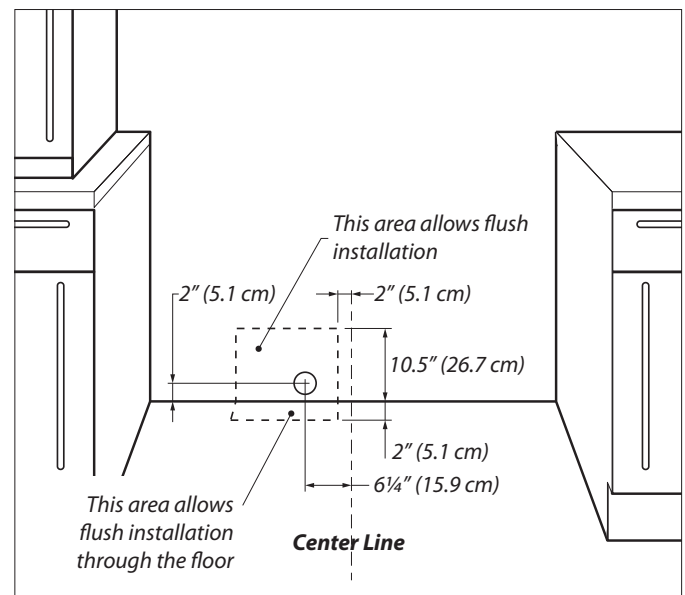
APRO30AGSS



Standard Installation



Electrical Connection



AGA Kitchen Concierge
800-525-5601

#AGAProPower

www.aga-ranges.com