

EVLUMA OMNIMAX™

LED DECORATIVE LUMINAIRE RETROFIT
40W or 70W REPLACES HID BULBS 100-175W

OMNI-40
OMNI-70



CERTIFICATION DATA
UL 1598 & UL1598C MET
ANSI C136.31 3G Level 2
Vibration Bridge/Overpass

ENERGY DATA
120-277 VAC 50/60hz
Power Factor >98%
THD <18% at 120 VAC
-40°C Min Ambient Temp
40°C Max Ambient Temp

SHIPPING DATA
Single Unit
2 lbs (0.9 kgs)
Pallet Qty
192 units, 520 lbs (237 kgs)

DESCRIPTION

The first truly omnidirectional LED replacement lamp for HID decorative outdoor light fixtures. Emulates the light center and pattern of the legacy HID bulb. This easy to install, screw-in retrofit is self-ballasted and offers exceptional energy and maintenance savings. Available in multiple color temperatures to brighten and revitalize or re-create a historic gaslight glow. With Evluma's Photocontrol Failsafe™ built-in, never again roll a truck to replace a failed photocontrol. The OmniMax is compatible with ConnectLED™.

Construction & Finish

White Valox DR48 molded resin.

Optical (lens)

Revolutionary molded silicone lens with matte finish for maximum light diffusion.

Electrical

Evluma proprietary dimmable driver. Patent Pending. 120-277 VAC 50/60 Hz. High capability surge protection for 20kV/10kA per IEEE/ANSI C62.41.2 - 2002. Location Category C-High.

Retrofits

Evluma has built its reputation on reliable and easy-to-install retrofits. Wiring around, or removing the legacy ballast is required prior to permanent installation. Suitable for damp locations within an enclosed luminaire.

Photocontrol Failsafe™

First developed for the AreaMax, each OmniMax ships with Photocontrol Failsafe built-in, eliminating the need to replace failed photocontrols and saving truck-rolls. OmniMax Photocontrol Failsafe requires the use of a fail-on photocontrol.

ConnectLED™

Compatible with ConnectLED. Walk-by programming for each bulb without removing refractor. Communicate with each individual lamp from up to 150' feet from the pole to wirelessly dim, control or disconnect. ConnectLED is available for Windows laptops, as an Apple App, or for Android tablets. Sold separately.

Thermal Management

Like all Evluma products, LED life is assured by thermal management protection circuitry that controls current levels to the LEDs based on temperature. The OmniMax uses a network of temperature compensating components paired with a custom light engine and housing design to maximize cooling and maximize lumen output. The OmniMax also uses a brushless fan with an accelerated life of >90,000 hours.

Warranty

Ten-year warranty.

Visit www.evluma.com/products/omnimax-warranty/

EVLUMA OMNIMAX™

ORDERING INFORMATION

SAMPLE NUMBER: OMNI-70-5K-MO

OMNIMAX CATALOG NUMBER	WATTS	CCT	BASE	CRI	LUMENS*	LED mA	IES File Numbers
40W LED recommended to replace 100W HPS / 150W MH							
OMNI-40-2K	40	2K = 2000K	MO =Mogul ME =Medium	>80	>3500	60 mA	UL 1234530
OMNI-40-3K	40	3K = 3000K	MO =Mogul ME =Medium	>80	>4700	60 mA	UL 1234531
OMNI-40-4K	40	4K = 4000K	MO =Mogul ME =Medium	>80	>4900	60 mA	UL 1234532
OMNI-40-5K	40	5K = 5000K	MO =Mogul ME =Medium	>80	>5000	60 mA	UL 1234533
70W LED recommended to replace 150W HPS / 175W MH							
OMNI-70-2K	70	2K = 2000K	MO =Mogul ME =Medium	>80	>5300	105 mA	UL 1234534
OMNI-70-3K	70	3K = 3000K	MO =Mogul ME =Medium	>80	>7100	105 mA	UL 1234535
OMNI-70-4K	70	4K = 4000K	MO =Mogul ME =Medium	>80	>7600	105 mA	UL 1234536
OMNI-70-5K	70	5K = 5000K	MO =Mogul ME =Medium	>80	>7600	105 mA	UL 1234537

*source lumens



MO = Mogul base OmniMax is a DesignLights Consortium qualified product

LUMEN MAINTENANCE

L70 (10,000) > 60,000
 LM at 10,000 hours = 97%
 LM at 100,000 hours = 80%

L70 (TM-21) > 100,000

LM 80 and ISTMT available at www.evluma.com
 TM 21 calculations available upon request.

ACCELERATED LIFE TEST FOR OMNIMAX FAN

OMNI Fan Life at 40°C Continuous Ambient Conditions (Outdoors) = > 90,000 hrs

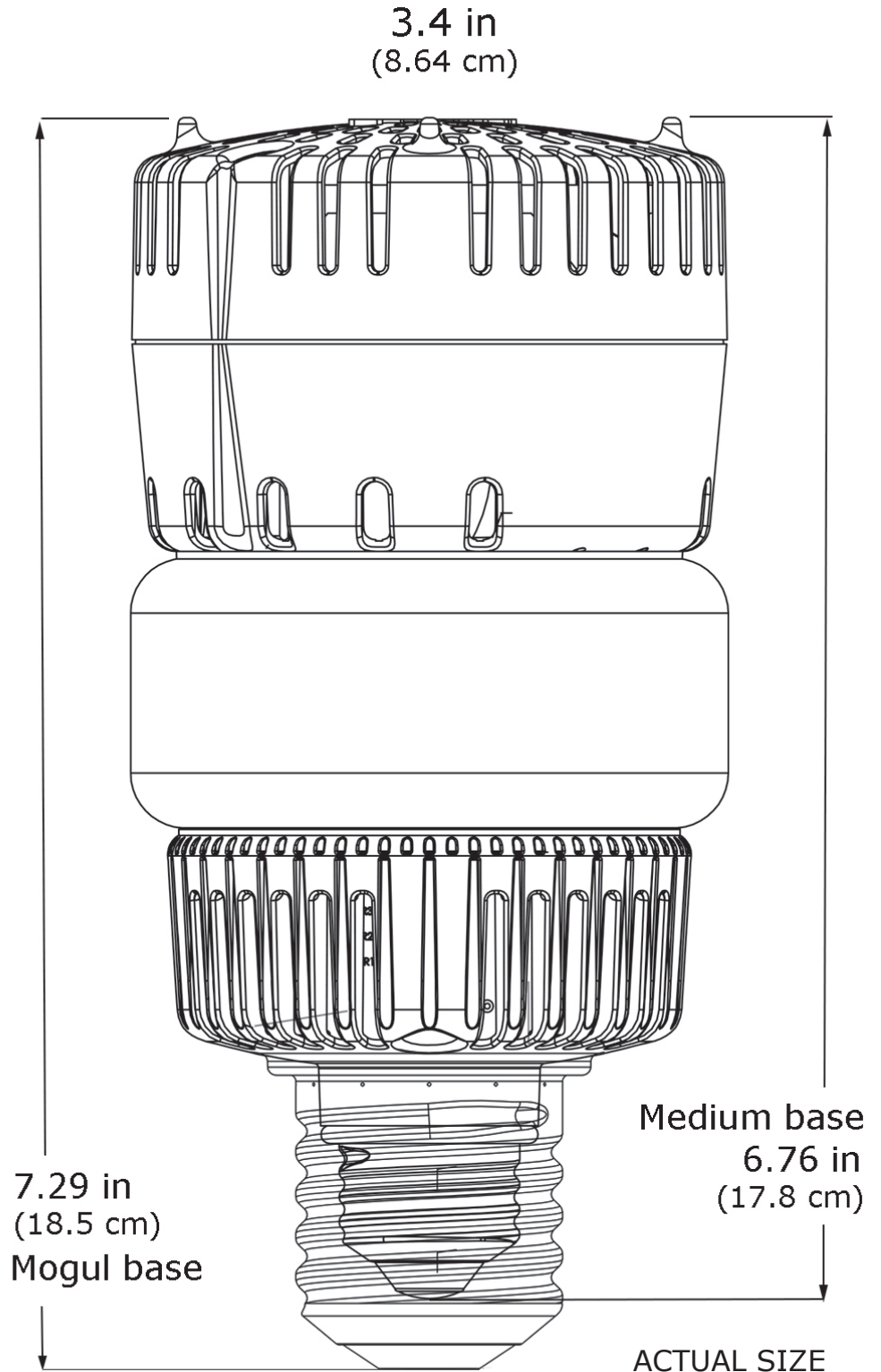
EVLUMA OMNIMAX™

DIMENSIONS SIZE SIMILAR TO HID BULB

Compact, custom electronics matched with a novel, high-power light engine make the self-ballasted OmniMax similar in size to an HID bulb and dramatically smaller than LED 'corn cobs' of comparable wattage. This equivalent size and radial light engine maximizes existing fixture optics.

OmniMax vs Common HID Sizes Comparison (Inches)

OmniMax ME	6.76 L x 3.4 D 17.18 cm x 8.64 cm
OmniMax MO	7.29 L x 3.4 D 18.5 cm x 8.64 cm
100W MH ME	5.5 L x 2.125 D
150W MH MO	8.5 L x 3.5 D
100W HPS ME	5.5 L x 2.125 D
150W HPS ME	5.75 L x 2.25 D
100W HPS MO	7.5 L x 3 D
150W HPS MO	7.5 L x 3 D
200W HPS MO	9.5 L x 2.5 D
100W MV MO	7.5 L x 3 D

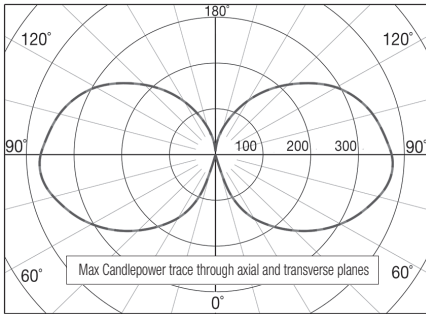


EVLUMA OMNIMAX™

DISTRIBUTION OF LUMINOUS INTENSITY

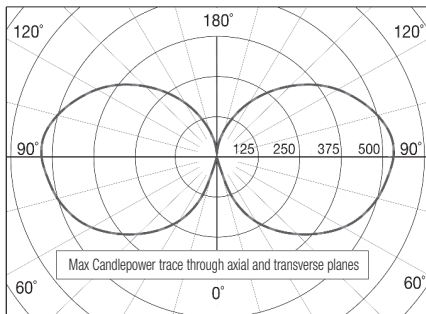
View complete IES files at www.evluma.com/products/omnimax

40W-2K



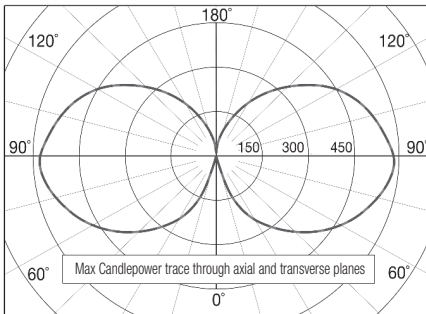
UL Test Report 1234530
Delivered Source Lumens 3509 85 lm/W

40W-4K



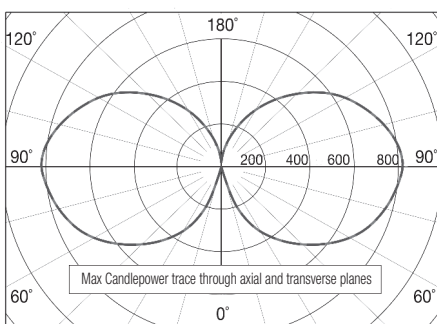
UL Test Report 1234532
Delivered Source Lumens 4999 122 lm/W

70W-2K



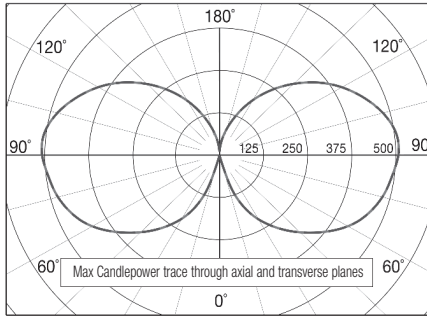
UL Test Report 1234534
Delivered Source Lumens 5409 75 lm/W

70W-4K



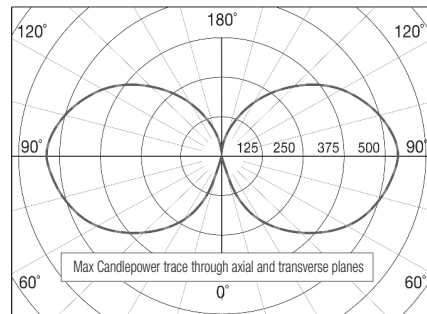
UL Test Report 1234536
Delivered Source Lumens 7729 108 lm/W

40W-3K



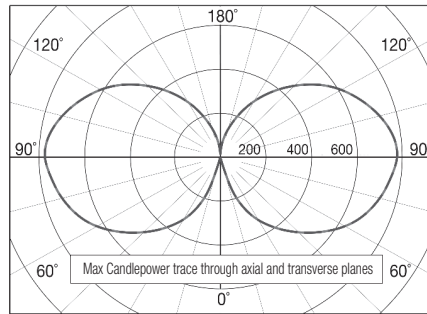
UL Test Report 1234531
Delivered Source Lumens 4798 117 lm/W

40W-5K



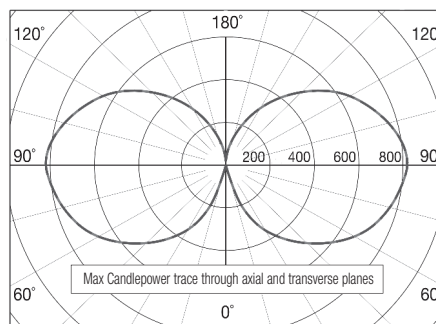
UL Test Report 1234533
Delivered Source Lumens 5032 122 lm/W

70W-3K

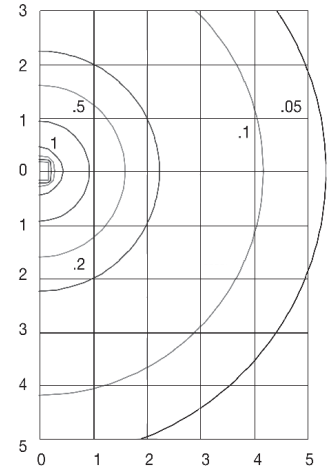


UL Test Report 1234535
Delivered Source Lumens 7257 102 lm/W

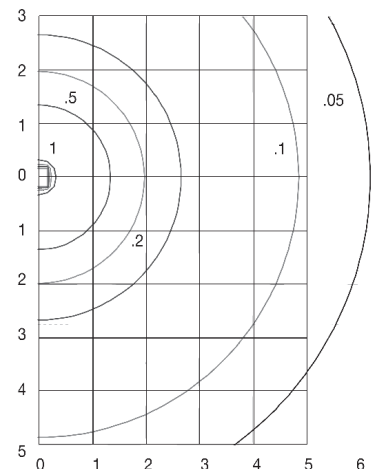
70W-5K



UL Test Report 1234537
Delivered Source Lumens 7643 107 lm/W



40W-5K
Isofootcandle plot
Mounting Height = 8 ft (2.44m)



70W-5K
Isofootcandle plot
Mounting Height = 8 ft (2.44m)